

# **T60**

## **Dishwasher**

# **User Guide**

&

Installation & Service Instructions

# **RANGEmaster**

U111340-01



# Contents

---

<b>1. Before You Start</b>	<b>1</b>
At Time of Delivery	1
About these Instructions	1
During Installation	1
During Normal Use	1
If a Fault Occurs	2
Caring for the Environment	2
Recommendations	3
<b>2. Before Using Your Appliance</b>	<b>4</b>
<b>3. Overview</b>	<b>9</b>
<b>4. Control panel</b>	<b>10</b>
<b>5. Looking after your Dishwasher</b>	<b>12</b>
<b>6. Troubleshooting</b>	<b>14</b>
<b>7. Installation</b>	<b>16</b>
Positioning the Dishwasher	16
Drain Hose Connection	17
Electrical connection	17
<b>8. Circuit Diagram</b>	<b>18</b>
<b>9. Technical Data</b>	<b>19</b>
<b>10. Warranty/After Sales Service</b>	<b>21</b>



# 1. Before You Start

---

This dishwasher is for use in GB and IE only.  
After sales service applies to GB and IE only.

IMPORTANT: For an electronic copy of this user manual please go to the following address:

[www.rangemaster.co.uk/co-ordinating-collection/dishwashing](http://www.rangemaster.co.uk/co-ordinating-collection/dishwashing)

## At Time of Delivery

Check packaging and dishwasher immediately for signs of transport damage. If the dishwasher is damaged **DO NOT USE**. Contact your supplier or customer services.

Please dispose of packaging materials properly.

## About these Instructions

Please read these instructions carefully before using this dishwasher. The instructions contain important information which will help you get the best out of the dishwasher and ensure safe and proper installation, use and maintenance.

Keep this manual in a convenient place so you can always refer to it for the safe and proper use of the dishwasher.

If you sell the dishwasher, give it away, or leave it behind when you move house, make sure you also pass this manual so that the new owner can become familiar with the dishwasher and safety warnings.

## During Installation

- Site the dishwasher and connect in accordance with the installation instructions.
- **DO NOT** connect the dishwasher to the electricity supply while carrying out the installation.
- Make sure that the wiring is properly earthed.
- The mains electricity supply must conform to national and local regulations and the details shown on the dishwasher nameplate.

- **DO NOT** connect the dishwasher to the electricity supply with an extension cable.
- **DO NOT** connect the dishwasher to a socket with multiple outlets.
- Built-under and built-in dishwashers should always be installed under a continuous work surface attached to adjacent cupboards. This will make sure that the dishwasher is stable.
- After the dishwasher has been installed, the mains plug should be easily accessible.
- **DO NOT** excessively bend or flatten the power supply cord during installation. The dishwasher should not stand on the power supply cord.
- The water pressure should be between 0.03 Mpa and 1Mpa. Pressures above 1Mpa will require a pressure relief valve to be fitted.

## During Normal Use

- Following installation the first wash cycle must be with the dishwasher unloaded.
- Commercial use of the dishwasher will void the guarantee.
- The dishwasher must only be used for washing household dishes and cooking utensils.
- This dishwasher cannot be installed outdoors.
- **DO NOT** place heavy objects on the door or stand on it when it is open. The dishwasher may tip forward.
- The water inside the dishwasher is **NOT** suitable for drinking.
- **DO NOT** use solvents of any kind inside your dishwasher. They could cause an explosion.

- Use only detergent and rinse aid specifically designed for use in domestic dishwashers.
- The suitability of plastic items must be checked before placing them in the dishwasher.
- **DO NOT** place items in the dishwasher that are not suitable for dishwashing.
- **DO NOT** overfill the dishwasher baskets. This may result in basket movement and damage the dishwasher.
- We do not recommend that the door is opened during operation. However, the dishwasher door is fitted with a safety device that stops the dishwasher if the door is opened during operation. As hot water may escape the dishwasher, **DO NOT** open the door fully until the spray arms have stopped rotating. Also, be careful of hot water escape at the base of the door.
- The dishwasher door should not be left open. Failure to close the dishwasher door may lead to accidents.
- Sharp ended objects and knives should be placed into the cutlery basket with the blade or sharp end facing down toward the base of the dishwasher.
- Never touch the dishwasher with wet hands.
- If the dishwasher is not operating properly or maintenance is required, disconnect from the power supply.
- This appliance can be used by children aged from 8 years and above and persons with reduced physical, sensory or mental capabilities or lack of experience and knowledge if they have been given supervision or instruction concerning use of the appliance in a safe way and understand the hazards involved. Children shall not play with the appliance. Cleaning and user maintenance shall not be made by children without supervision.
- Keep detergents out of reach of children.
- When unpacking the dishwasher make sure that the packaging material is out of reach of children.
- Keep children away from the dishwasher when the door is open.
- Keep children away from detergents and rinse aid.
- **DO NOT** allow children to play with or start the dishwasher.

### **If a Fault Occurs**

If the dishwasher malfunctions, turn off the water supply and disconnect the plug from the wall socket. If you cannot solve the problem, contact one of our service centres on the below numbers:

**UK Service Centre Tel: 0844 847 6711.**  
**Republic of Ireland Service Centre Tel: 051 302 333**

Only authorized persons should make repairs.

If the supply cord is damaged it must be replaced by the manufacturer, service agents or authorized persons.

To maintain the efficiency and safety of this dishwasher we recommend:

- Call only Service Centres authorized by the manufacturer.
- Always use original spare parts.

### **Caring for the Environment**

#### **Disposing of Your Packaging**

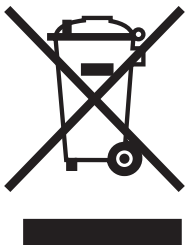
Your new dishwasher was protected by suitable packaging while on its way to you. All of the materials used are environmentally friendly for disposal and can be recycled. Please make a contribution to protecting the environment by disposing of the packaging appropriately.

## Disposing of Your Old Dishwasher

Old dishwashers still have some residual value. An environmentally friendly method of disposal will make sure that valuable raw materials can be recovered and used again.

When your dishwasher has reached the end of its working life unplug it from the mains. Cut off the mains cable and dispose of it together with the plug.

Destroy the door locking mechanism so that children and pets cannot accidentally lock themselves in.



This symbol on the product or its packaging indicates that the product may not be treated as household waste. Instead it should be handed over to your local community waste collection/recycling centre.

By disposing of this product correctly, you will help prevent potential negative consequences for the environment and human health, which could otherwise be caused.

For more detailed information about recycling of this product, please contact your local council, your household waste disposal service or the shop where you purchased the product.

## Recommendations

Removing coarse residue from items before placing them into the dishwasher will save energy and water.

Try only to use your dishwasher when it is fully loaded.

Use the pre-wash program only whenever necessary.

Place hollow items such as bowls, glasses and pots face down into the dishwasher.

**DO NOT** overload your dishwasher.

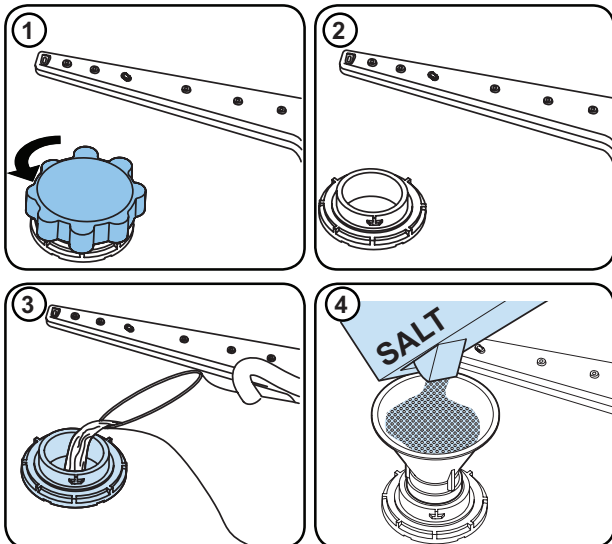
## 2. Before Using Your Appliance

### Preparing your Dishwasher for first use

- Make sure the electricity and supply water specifications match the values indicated in the installation instructions for the machine.
- Remove all packaging material inside the machine.
- Set the water softener level.
- Fill the rinse aid compartment.

### Fill the salt (IF AVAILABLE)

To add softener salt, open the salt compartment cap by turning it counter clockwise. (1) (2) At first use, fill the compartment with 1 kg salt and water (3) until it is almost overflowing. If available, using a funnel (4) will make filling easier. Replace the cap and close it. After every 20-30 Cycles add salt into your machine until it fills up (approx. 1 kg).



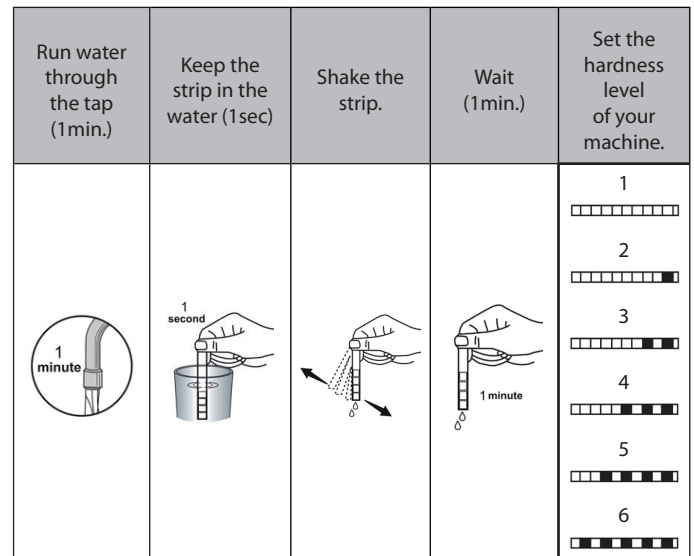
#### Only add water to the salt compartment on first use.

Use softener salt specifically produced for use in dishwashers.

When you start your dishwasher, the salt compartment is filled with water, therefore put the softener salt in prior to starting your machine.

If the softener salt has overflowed and you do not start the machine immediately, run a short washing program to protect your machine against corrosion.

### Test Strip



**NOTE:** The level is set to 3 as default. If the water is well water or has a hardness level above 90 dF, we recommend that you use filter and refinement devices.

### Water Hardness Table

Level	German dH	French dF	British dE	Indicator
1	0-5	0-9	0-6	L1 is shown on the display.
2	6-11	10-20	7-14	L2 is shown on the display.
3	12-17	21-30	15-21	L3 is shown on the display.
4	18-22	31-40	22-28	L4 is shown on the display.
5	23-31	41-55	29-39	L5 is shown on the display.
6	32-50	56-90	40-63	L6 is shown on the display.

### Water Softener System

The dishwasher is equipped with a water softener which reduces the hardness in the mains water supply. To find out the hardness level of your tap water, contact your water company or use a test strip (if available).

### Setting

Push the programme button and hold it down.

Turn on the machine.

Hold down the programme button until "SL" disappears.

The machine will display the last setting.

Set the level by pushing the programme button.

Switch off the machine to save the setting.



## Detergent usage

Only use detergents specifically designed for domestic dishwashers.

Add the recommended amount of detergent for the selected programme to ensure the best performance.

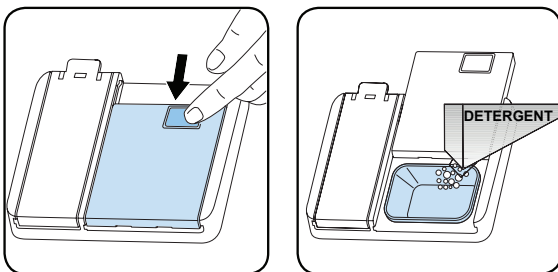
Keep your detergents in cool, dry places out of reach of children.

See the detergent manufacturer's instructions for further information.

## Filling the detergent

Push the latch to open the dispenser and pour in the detergent.

Close the lid and press it until it locks in place. The dispenser should be refilled just before the start of each programme. If the dishes are heavily soiled, place additional detergent in the pre-wash detergent chamber.



## Using combined detergents

These products should be used according to the manufacturer's instructions.

Never put combined detergents into the interior section or the cutlery basket.

Combined detergents contain not only the detergent but also rinse-aid, salt replacement substances and additional components depending on the combination.

We recommend you do not use combined detergents in short programmes. Please use powder detergents in such programmes.

If you encounter problems when using combined detergents, please contact the detergent manufacturer.

When you stop using combined detergents, make sure that water hardness and rinse aid settings are set to correct level.

## Rinse-aid usage

Rinse-aid makes dishes sparkle and helps them to dry without spotting. Rinse-aid is required for stain-free utensils and clear glasses. Use only rinse-aid for domestic dishwashers.

## Filling the rinse-aid and setting

To fill the rinse aid compartment, open the rinse-aid compartment cap. Fill the compartment with rinse aid to the MAX level and then close the cap. Be careful not to overfill the rinse aid compartment and wipe up any spills.

**In order to change the rinse aid level, follow the below steps before turning on the machine:**

Push the programme button and hold it down.

Turn on the machine.

Hold down the programme button until "rA" disappears from the display. Rinse aid set follows water hardness set.

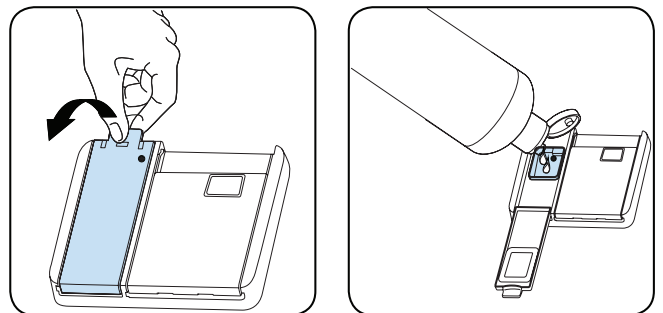
The machine will display the current setting.

Change level by pushing the programme button.

Switch off the machine to save the setting.

The factory setting is "4".

If the dishes are not drying properly or are spotted, increase the level. If blue stains form on your dishes, decrease the level.



Level	Brightener Dose	Indicator
1	Rinse-aid not dispensed	r1 is shown on the display.
2	1 dose is dispensed	r2 is shown on the display.
3	2 doses are dispensed	r3 is shown on the display.
4	3 doses are dispensed	r4 is shown on the display.
5	4 doses are dispensed	r5 is shown on the display.

## Loading your dishwasher

For best results, follow these loading guidelines.

Loading the household dishwasher up to the capacity indicated by the manufacturer will contribute to energy and water savings.

Manual pre-rinsing of tableware items leads to increased water and energy consumption and is not recommended. You can place cups, glasses, stemware, small plates, bowls, etc. in the upper basket.

Do not lean long glasses against one another as they may become damaged.

When placing long stem glasses and goblets, lean them against the basket edge or rack and not against other items.

Place all containers such as cups, glasses and pots in the dishwasher with the opening facing downwards otherwise water can collect on items.

If there is a cutlery basket, you are recommended to use the cutlery grid in order to obtain the best result.

Place all large (pots, pans, lids, plates, bowls etc.) and very dirty items in the lower rack.

Dishes and cutlery should not be placed above each other.

- ⚠ **WARNING: Take care not to obstruct the rotation of spray arms.**
- ⚠ **WARNING: Make sure after loading the dishes do not prevent opening the detergent dispenser.**

## Recommendations

Remove any coarse residue on dishes before placing the dishes in the machine. Start the machine with full load.

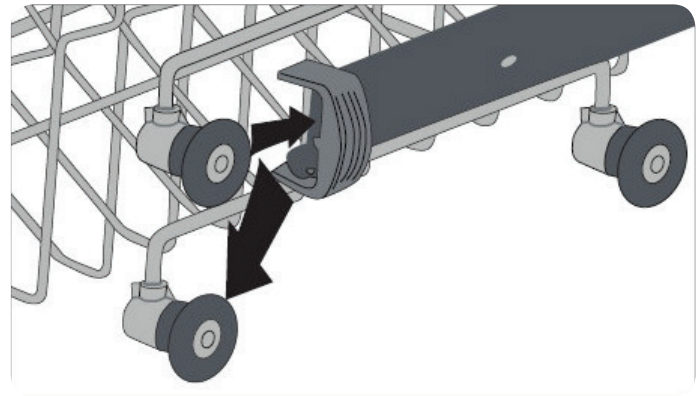
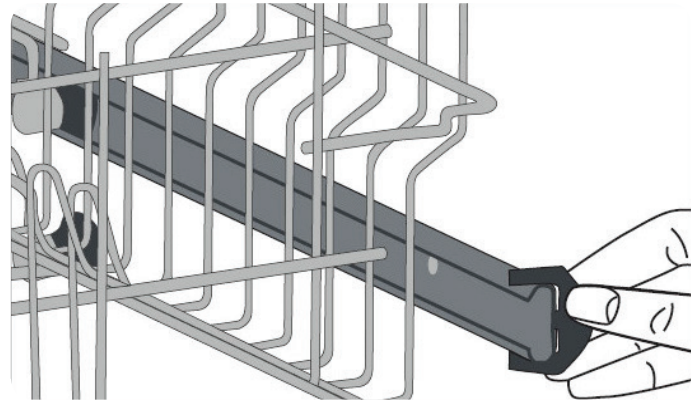
- ⚠ **Do not overload the drawers or place dishes in the wrong basket.**
- ⚠ **WARNING: To avoid any possible injuries, place long-handle and sharp-pointed knives with their sharp points facing down or horizontally on the baskets.**

## Upper Basket

### Height adjustment

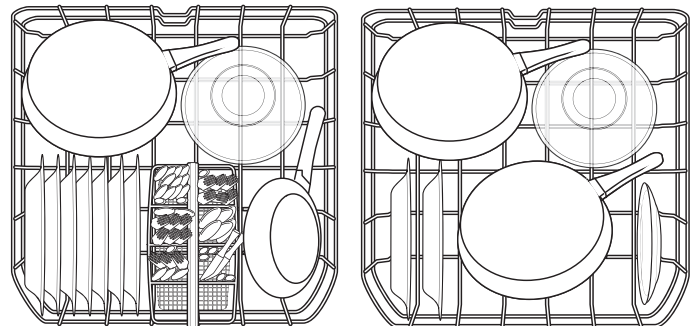
Turn the Rail Stop Clips, at the ends of the rails, to the sides to open them (as shown in the image below), then pull out and remove the basket. Change the position of the wheels, then reinstall the basket to the rail, making sure to close the Rail Stop Clips.

When the upper basket is in the higher position, large items such as pans can be placed on the lower basket.

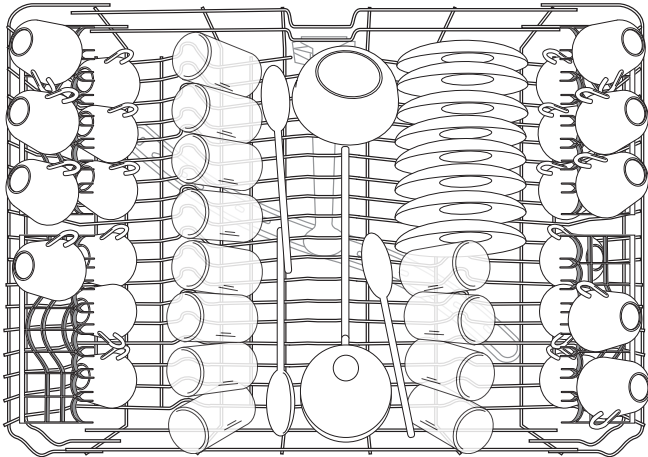


## Alternative basket loads

### Lower basket



## Upper basket

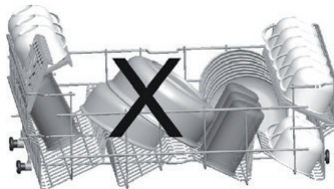
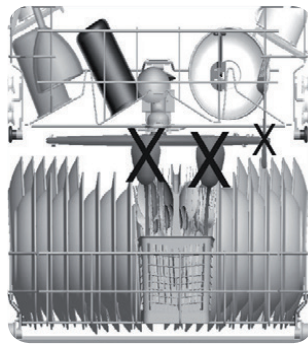
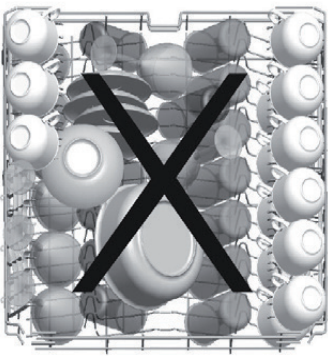


**⚠ IMPORTANT: In future, purchase dishwasher-proof kitchenware.**

### Incorrect Loads

Incorrect loading can cause poor washing and drying performance. Please follow the manufacturer's recommendations for a good performans result.

### Incorrect loads



### Unsuitable items for dishwashing

Cigarette ashes, candle left overs, polish, paint, chemical substances, iron alloy materials.

Forks, spoons and knives with wooden, bone, ivory or nacre coated handles; glued items, items soiled with abrasive, acidic or base chemicals.

Temperature-sensitive plastics, copper or tin coated containers.

Aluminium and silver objects.

Some delicate glasses, ornamental printed porcelains; some crystal items, adhered cutlery, lead crystal glasses, cutting boards, synthetic fibre items.

Absorbent items such as sponges or kitchen rugs.

## Programme table

	P1	P2		P3	P4	P5	P6
Programme name	Eco	Intensive 65°C	Auto	Hygiene 70°C	Super 50'	Quick 30'	Prewash
Type of Soil:	Standard program for normally soiled daily dishes with reduced energy and water consumption	Suitable for heavily soiled dishes	Auto program for heavily soiled dishes	Suitable for heavily soiled dishes requiring hygienic washing	Suitable for normally soiled daily dishes with faster program	Suitable for lightly soiled dishes and quick wash	Suitable to rinse dishes that you plan to wash later.
Level of Soil:	Medium	Heavy	Heavy	Heavy	Medium	Light	Light
Amount of detergent: A 25 cm <sup>3</sup> B 15 cm <sup>3</sup>	A	A	A	A	A	A	-
Program duration (h/min)	03:25	01:57	01:25 - 01:57	02:07	00:50	00:30	00:15
Electricity consumption (kWh/cycle)	0.923	1.700	1.450 - 1.700	1.900	1.100	0.740	0.020
Water consumption (L/cycle)	12.0	17.2	11.9 - 17.2	16.0	12.0	12.4	4.5

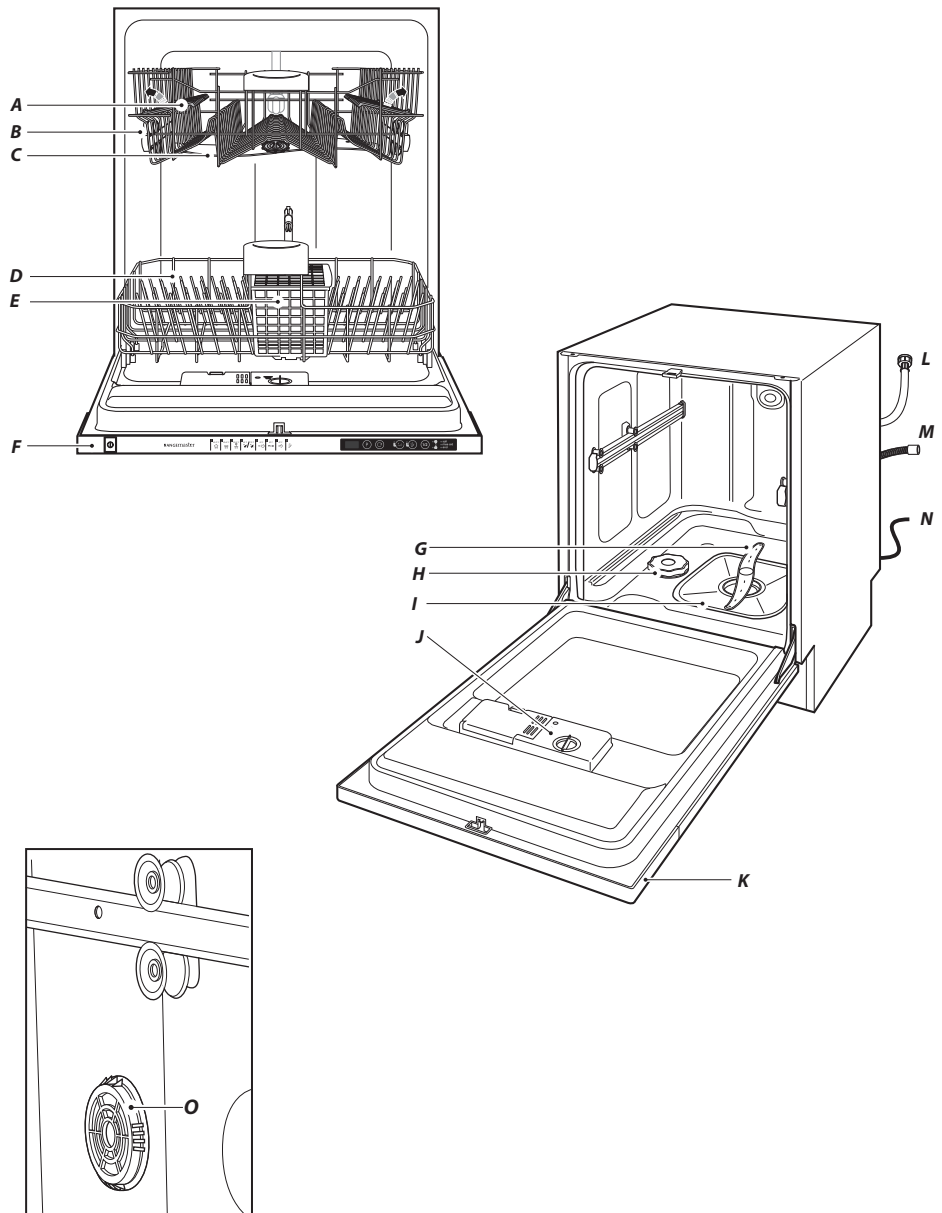
- The program duration may change according to the amount of dishes, the water temperature, the ambient temperature and selected additional functions.
- Values given for programmes other than the eco programme are indicative only.
- Eco programme is suitable to clean normally soiled tableware, that for this use, it is the most efficient programme in terms of its combined energy and water consumption, and that it is used to assess compliance with the EU ecodesign legislation.
- Washing tableware in a household dishwasher usually consumes less energy and water in the use phase than hand dishwashing when the household dishwasher is used according to the manufacturer's instructions.
- Only use powder detergent for short programs.
- Short programs do not include drying.
- To assist drying, we recommend slightly opening the door after a cycle is complete.
- You can access the product database where the model information is stored by reading the QR code on the energy label.

**Note:** According to regulations 1016/2010 and 1059/2010, Eco program energy consumption values may differ. This table is in line with regulations 2019/2022 and 2017/2022.

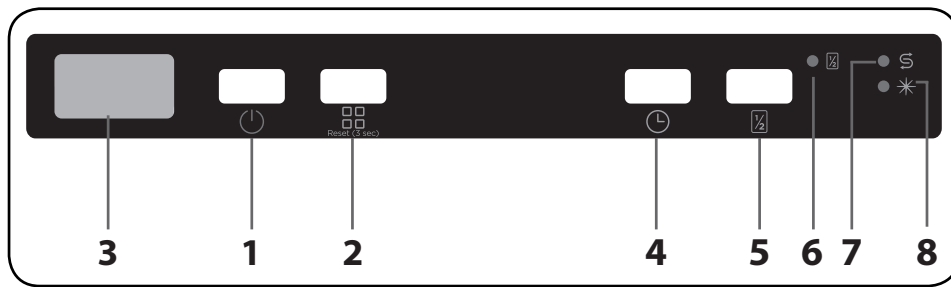
### 3. Overview

Fig. 3.1

<b>A</b>	Upper basket with racks
<b>B</b>	Upper basket track latch
<b>C</b>	Upper spray arm
<b>D</b>	Lower basket
<b>E</b>	Cutlery basket
<b>F</b>	Control panel
<b>G</b>	Lower spray arm
<b>H</b>	Salt dispenser
<b>I</b>	Washing filter
<b>J</b>	Detergent and rinse aid dispenser
<b>K</b>	Rating plate
<b>L</b>	Water inlet hose
<b>M</b>	Drain hose
<b>N</b>	Power supply cord
<b>O</b>	Active drying unit



## 4. Control panel



### 1. On/Off Button

### 2. Programme Selection Button

### 3. Display

### 4. Delay Button

### 5. Half Load Button

### 6. Half Load LED

### 7. Salt Indicator

### 8. Rinse Aid Indicator

#### 1. On/Off Touch Button

Turn the machine on by pressing the On/Off button. When the machine is on, "--" will be shown on the Display (3).

#### 2. Programme Touch Button

Select a suitable programme for your dishes by touching programme selection button (2). The programme will start automatically when the door is closed.

#### 3. Display

The display shows the number and total time of the selected programme, alternately, and the remaining time during operation.

#### 4. Delay Button

Press the delay button to delay the start time of the selected programme from 1 hour up to 19 hours.

Pressing the button once delays the start time for 1 hour, continuing to press will increase the delay time.

Press the Delay button to change or cancel the delayed start.

If you switch off the machine while delay timer is active, the delayed time is cancelled.

#### 5. Half Load Button

Press the half load button to reduce the duration of the selected programme, and therefore decrease your energy and water consumption.

When the half load option is selected, half load LED (6) will illuminate.

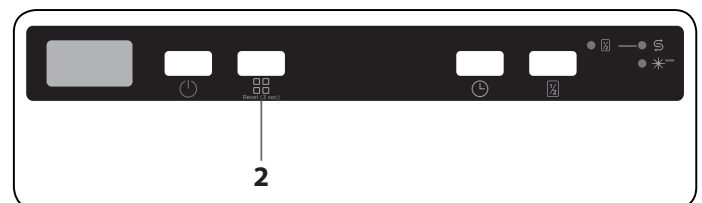
**NOTE:** If you decide not to start the selected programme, please see the "Changing a Programme" and "Cancelling a Programme" sections.

**NOTE:** When there is insufficient softening salt, the Salt Warning Indicator (7) will illuminate to indicate the salt chamber needs filling.

**NOTE:** When there is insufficient rinse aid, the Rinse Aid Warning Indicator (8) will illuminate to indicate the rins chamber needs filling.

## Changing a Programme

Follow the steps below to change a programme while in operation.



1. Open the door and press the Programme selection button (2) to select a new programme.
2. After closing the door, the newly selected programme will resume the course of the old programme.

**NOTE:** Open the door slightly at first to stop a wash programme before it is complete in order to avoid water spillage.

## Cancelling a Programme

Follow the steps below to cancel a programme while in operation.

1. Open the door of the machine, the selected programme will be shown on the display.
2. Press and hold the Programme selection button (2) for 3 seconds. At the end of 3 seconds, '1' will show on the Display (3).
3. The water discharge process will start after the door of the machine is closed and will continue for 30 seconds. When the programme is cancelled, a buzzer will sound 5 times.

## Switching the Machine Off

"00" will be shown on the display when the selected wash programme is complete, a buzzer will also sound 5 times. You can then switch your machine off using the Power On/Off button (1).

**NOTE:** Do not open the door before a programme is complete.

**NOTE:** If the door of the machine is opened or the power is cut during operation, the programme will continue when the door is closed or the power returns.

**NOTE:** If the power is cut or the machine door is opened during the drying process, the programme will terminate. Your machine will now be ready for a new programme selection.

## Buzzer Sound Control

To change the buzzer sound level, follow the below steps:

1. Open the door and press the Programme (2) and Delay (4) buttons simultaneously for 3 seconds.
2. When the sound setting is recognised, the buzzer gives a long sound and the machine will display the last set level, from "S0" to "S3".
3. To decrease the sound level press the Programme button (2). To increase the sound level, press the Delay button (4).
4. To save the selected sound level, turn off the machine.

"S0" level means all voices are off. Factory setting is "S3".

## Power Save Mode

To activate or deactivate power save mode, follow the below steps:

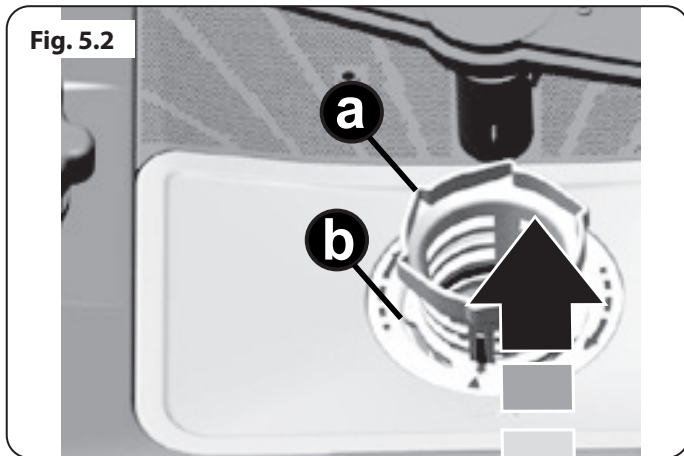
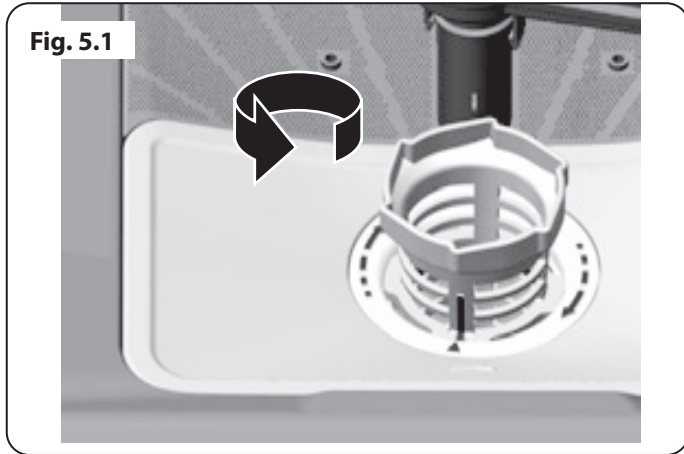
1. Open the door and press the Delay (4) and Half Load (5) buttons simultaneously for 3 seconds.
2. After 3 seconds, the machine will display last Setting, "IL1" or "IL0".
3. When Power Save Mode is activated, "IL1" will be displayed. On this mode, interior lights will turn off 4 minutes after the door is opened, and the machine will turn off after 15 minutes of no activity in order to save energy.
4. When Power Save Mode is deactivated "IL0" will be displayed. If Power Save Mode is deactive, interior lights will be on as long as the door is open, and the machine will always be on unless it is turned off by user.
5. To save the selected setting, turn off the machine.

In factory setting, Power Save Mode is active.

### Info. LED (Model Dependent)

LED Indicator	State of the Machine
Red, continuous	The machine is running a program.
Red, flashing	A program is cancelled.
Red, flashing rapidly	The machine has a fault. Refer to section "Automatic fault warnings and what to do".
Green, continuous	Program has finished.

## 5. Looking after your Dishwasher



Cleaning your dishwasher is important to maintain the machine's service life. Make sure that the water softening setting (if available) is done correctly and correct amount of detergent is used to prevent limescale accumulation. Refill the salt compartment when the salt sensor light comes on.

Oil and lime may build up in your Dishwasher over time. If this occurs:

- Fill the detergent compartment but do not load any dishes. Select a programme which runs at high temperature and run the Dishwasher empty. If this does not clean your Dishwasher sufficiently, use a cleaning agent designed for use with dishwashers.
- To extend the life of your dishwasher, clean the appliance regularly; once a month.
- **Wipe the door seals regularly with a damp cloth to remove any accumulated residue.**

### Filters

Clean the filters and spray arms at least once a week. If any food waste remains on the coarse and fine filters, remove them and clean them thoroughly with water.

- a. Micro Filter
- b. Coarse Filter
- c. Metal Filter
- To remove and clean the Micro/Coarse filter combination, turn it counter clockwise and take it out by lifting upwards (**Fig. 5.1** and **Fig. 5.2**).
- Pull and remove the metal filter (**Fig. 5.3**).
- Rinse the filters with lots of water until they are free of residue.
- Refit the metal filter.
- Insert the Micro/Coarse filter and rotate it clockwise (**Fig. 5.4**).



## Cleaning

### Drain Pump

Large food residues or foreign objects which were not captured by the filters may block the waste water pump. The rinsing water will then be above the filter.

#### **⚠ Warning Risk of cuts!**

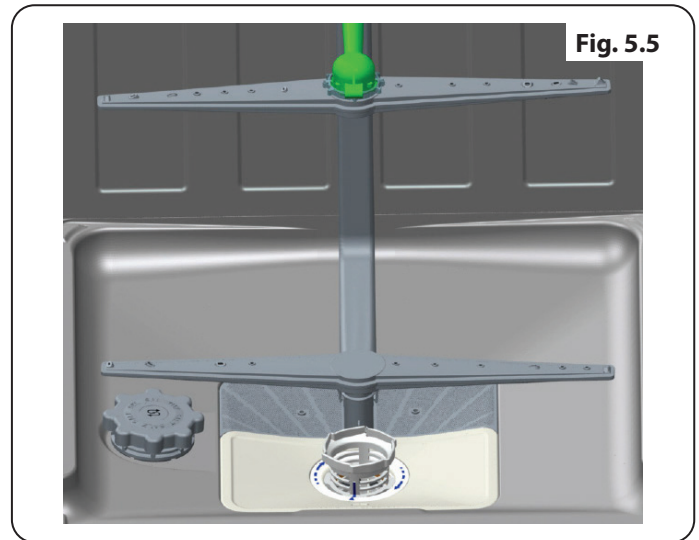
When cleaning the waste water pump, ensure that you do not injure yourself on pieces of broken glass or pointed implements.

1. First, always disconnect the appliance, from the power supply.
2. Take out baskets.
3. Remove the filters.
4. Scoop out water, use a sponge if required.
5. Check the area and remove any foreign objects.
6. Install filters.
7. Re-insert baskets.

### Spray arms (Fig. 5.5)

Make sure that the spray holes are not clogged and that no food waste is stuck to the spray arms. If there is any clogging, remove the spray arms and clean them under water.

To remove the upper spray arm undo the nut holding it in position, by turning it clockwise, and pulling it downwards. Make sure that the nut is properly tightened when refitting the upper spray arm.



## 6. Troubleshooting

FAULT	POSSIBLE CAUSE	TROUBLESHOOTING
The programme does not start.	Your Dishwasher is not plugged in.	Plug your Dishwasher in.
	Your Dishwasher is not switched on.	Switch your Dishwasher on by pressing the On/Off button.
	Fuse blown.	Check your indoor fuses.
	Water inlet tap is closed.	Turn on the water inlet tap.
	Your Dishwasher door is open.	Close the Dishwasher door.
	Water inlet hose and machine filters are clogged.	Check the water inlet hose and machine filters and make sure they are not clogged.
Water remains inside the machine.	Water drain hose is clogged or twisted.	Check the drain hose, then either clean or untwist it.
	The filters are clogged.	Clean the filters.
	The programme is not finished yet.	Wait until the programme is finished.
Machine stops during washing.	Power failure.	Check mains power.
	Water inlet failure.	Check water tap.
Shaking and hitting noises are heard during a wash operation.	The spray arm is hitting the dishes in the lower basket.	Move or remove items blocking the spray arm.
Partial food wastes remain on the dishes.	Dishes placed incorrectly, sprayed water not reaching affected dishes.	Do not overload baskets.
	Dishes leaning on each another.	Place dishes as instructed in the section on loading your dishwasher.
	Not enough detergent used.	Use the correct amount of detergent, as instructed in the programme table.
	Wrong wash programme selected.	Use the information in the programme table to select the most appropriate programme.
	Spray arms clogged with food waste.	Clean the holes in the spray arms with thin objects.
	Filters or water drain pump clogged or filter misplaced.	Check the drain hose and filters are correctly fitted.
Whitish stains remains on dishes.	Not enough detergent used.	Use the correct amount of detergent, as instructed in the programme table.
	Rinse aid dosage and/or water softener setting set too low.	Increase rinse aid and/or water softener level.
	High water hardness level.	Increase water softener level and add salt.
	Salt compartment cap not closed properly.	Check that the salt compartment cap is closed properly.
Dishes do not dry.	Drying option is not selected.	Select a programme with a drying option.
	Rinse aid dosage set too low.	Increase rinse aid dosage setting.
Rust stains form on the dishes.	Stainless-steel quality of the dishes is insufficient.	Use only dishwasher-proof sets.
	High level of salt in wash water.	Adjust the water hardness level using water hardness table.
	Salt compartment cap not closed properly.	Check that the salt compartment cap is closed properly.
	Too much salt spilled in the Dishwasher while filling it with salt.	Use funnel while filling salt to the compartment to avoid spillage.
	A poor mains grounding.	Consult a qualified electrician immediately.
Detergent remains in the detergent compartment.	Detergent was added when the detergent compartment was wet.	Make sure detergent compartment is dry before use.

## Automatic fault warnings and what to do

ERROR CODE	POSSIBLE FAULT	WHAT TO DO
FF	Water inlet system failure	Make sure the water inlet tap is open and water is flowing.
		Separate the inlet hose from the tap and clean the filter of the hose.
		Contact for service if the error continues.
F5	Pressure system failure	Contact for service.
F3	Continuous water input	Close the tap and contact for service.
F2	Inability to discharge water	Water discharge hose and filters may be clogged.
		Cancel the program.
		If the error continues, contact for service.
F8	Heater error	Contact for service.
F1	Overflow	Unplug the machine and close the tap.
		Contact for service.
FE	Faulty electronic card	Contact for service.
F7	Overheating error	Contact for service.
F6	Faulty heater sensor	Contact for service.
F9	Divisor position error	Contact for service.
HI	High voltage failure	Contact for service.
LO	Low voltage failure	Contact for service.

The installation and repair procedures should always be carried out by the Authorised Service Agent, in order to avoid possible risks. The manufacturer shall not be held liable for damages that may arise from procedures carried out by unauthorised persons. Repairs may be carried out by technicians only. If a component has to be replaced, ensure that only original spare parts are used.

Improper repairs or use of non-original spare parts may cause considerable damage and put the user at considerable risk.

Contact information for your customer service can be found on the back of this document.

Function-relevant genuine spare parts according to the corresponding Ecodesign order can be obtained from Customer Service for a period of at least 10 years from the date on which your appliance was placed on the market within the European Economic Area.

## 7. Installation

This dishwasher is for use in GB and IE only. After sales service applies to GB and IE only.

### Positioning the Dishwasher

Read all warnings located on the packaging before removing the packaging and positioning the machine.

- ⚠ Do not install the dishwasher in a room where the temperature is likely to fall below freezing (0°C).**
- ⚠ Do not grip the door when moving the dishwasher.**

When positioning the machine, place it in an area where dishes can be easily loaded and unloaded.

The dishwasher should be aligned to the front of the adjacent cabinets, with allowance made for the door thickness. Place the machine close to a water tap and drain. Take into consideration that the connections will not be altered once the machine is in position.

Before installing the dishwasher into a kitchen cabinet, holes must not be drilled into the sides, or door, to avoid compromising the performance and operation of the dishwasher.

A plastic self-adhesive anti-condensation strip is supplied with the dishwasher. Fix the strip to the underside of the worktop, along the front edge (**Fig. 7.1**).

Connect up the cold water supply, the drain hose and the electrical connections (see below) then slide the dishwasher into the cabinet opening.

Leave an adequate distance around the machine to allow ease of movement when cleaning.

- ⚠ Ensure the water inlet and outlet hoses are not squeezed or trapped and that the machine does not stand on the electrical cable while positioning.**

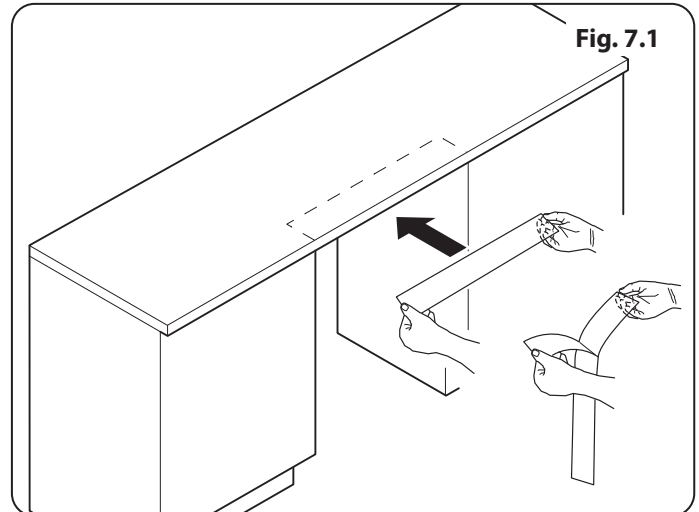
Adjust the feet so the machine is level and balanced. The machine should be placed on flat ground otherwise it will be unstable and the door of the machine will not close properly.

### Water connection (Fig. 7.2)

We recommend fitting a filter to your water inlet supply in order to prevent damage to your machine due to contamination (sand, rust, etc.) from indoor plumbing. This will also help prevent yellowing and deposit formation after washing.

### Water inlet hose

- ⚠ WARNING: Use the new water inlet hose supplied with your machine, do not use an old machine's hose.**
- ⚠ WARNING: Run water through the new hose before connecting.**



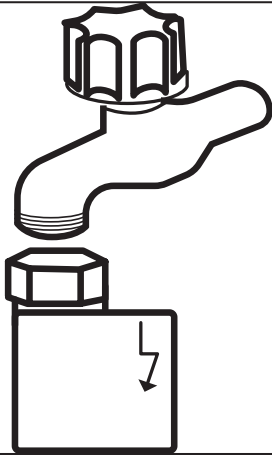
### Note printing on the water inlet hose!

If models are marked with 25° the water temperature may be max. 25 °C (cold water).

### For all other models:

Cold water preferred; hot water max. temperature 60 °C.

Fig. 7.3



- ⚠ **WARNING:** Connect the hose directly to the water inlet tap. The pressure supplied by the tap should be a minimum of 0.03 MPa and a maximum of 1 MPa. If the pressure exceeds 1 MPa, a pressure relief valve must be fitted between the connection.
- ⚠ **WARNING:** After the connections are made, turn the tap on fully and check for water leaks. Always turn off the water inlet tap after a wash program has finished (Fig. 7.3).
- ⚠ An Aquastop water spout is available with some models. Do not damage it or allow it to become kinked or twisted.

## Drain Hose Connection

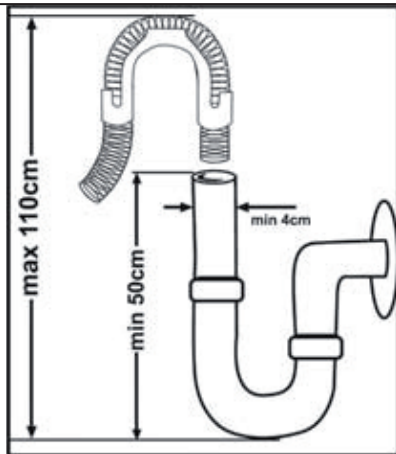
Connect the water drain hose directly to water drain hole or to the sink outlet spigot. This connection should be minimum 50 cm and maximum 110 cm from floor plane (Fig. 7.4).

- ⚠ **IMPORTANT:** Items will not wash properly if a drain hose longer than 4m is used.

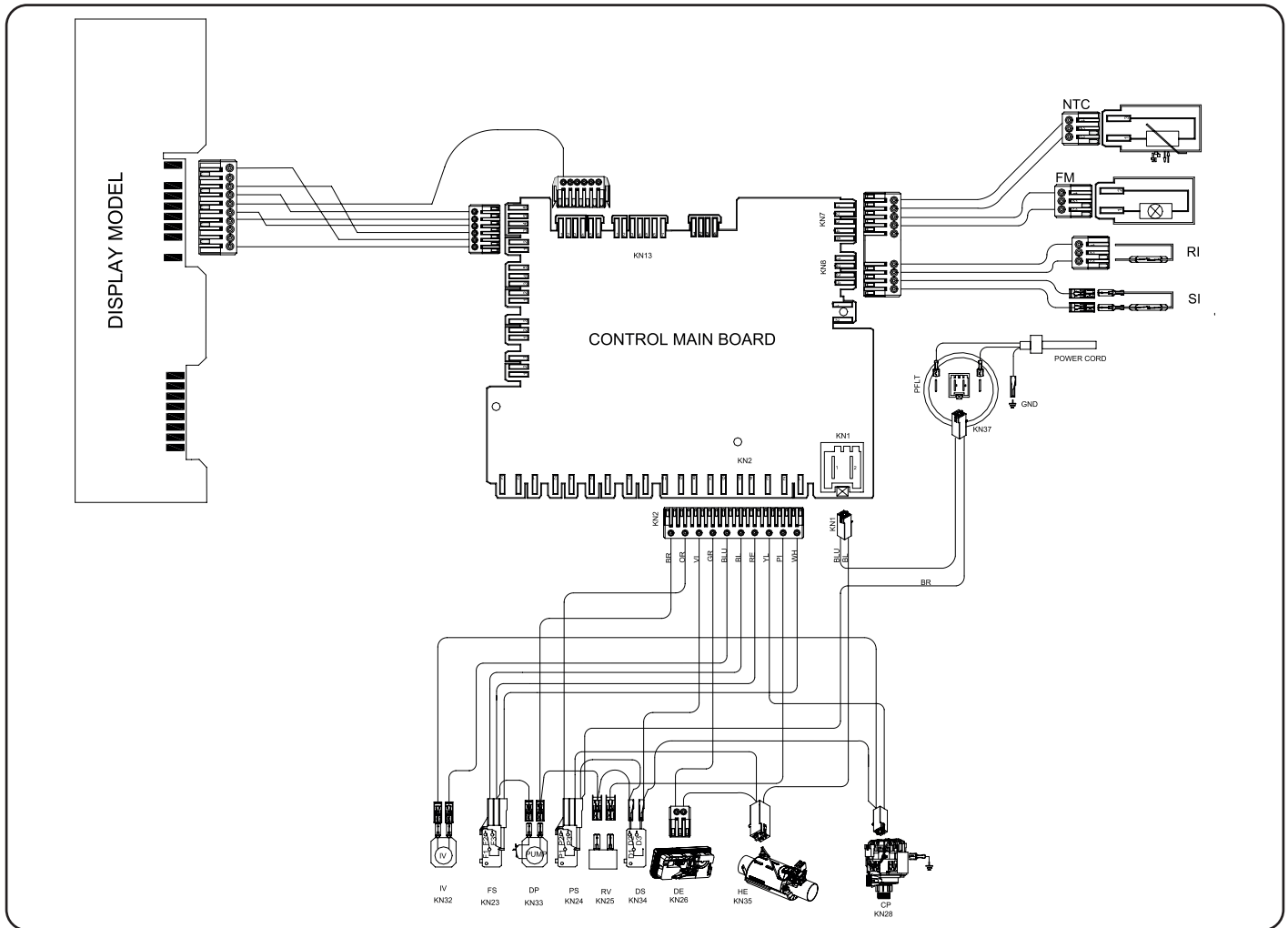
## Electrical connection

- ⚠ **WARNING:** Your machine is set to operate at 220-240 V. If the mains voltage supply to your machine is 110 V, connect a transformer of 110/220 V and 3000 W between the electrical connection.
- ⚠ The earthed plug of the machine must be connected to an earthed outlet supplied by suitable voltage and current.
- ⚠ In the absence of earthing installation, an authorised electrician should carry out an earthing installation. In the case of use without earthing installed, we will not be responsible for any loss of use that may occur.
- ⚠ The indoor fuse current value should be 10-16 A.
- ⚠ The plug on this appliance may incorporate a 13A fuse depending on the target country (for example UK, Saudi Arabia).

Fig. 7.4



## 8. Circuit Diagram



Code	Description
<b>TS</b>	Turbidity sensor
<b>RI</b>	Rinseaid indicator
<b>SI</b>	Salt indicator
<b>FM</b>	Flow meter
<b>NTC</b>	NTC sensor
<b>DV</b>	Diverter
<b>IV</b>	Inlet valve
<b>FS</b>	Float sensor
<b>DP</b>	Drain pump
<b>TF</b>	Turbo fan
<b>PS</b>	Pressure switch
<b>RV</b>	Regeneration valve
<b>DS</b>	Door switch
<b>DE</b>	AC dispenser
<b>HE</b>	Heating element
<b>SF</b>	Heating safety

Code	Description
<b>CP</b>	Circulation pump
<b>C</b>	Capasitor
<b>RW</b>	Rotary switch
<b>BLDC</b>	BLDC pump
<b>PST</b>	Power supply terminal
<b>MS</b>	Main switch
<b>DUB</b>	Display and user board
<b>U1X</b>	Display end user board
<b>U2X</b>	Display end user board
<b>U3X</b>	Display end user board
<b>SFL</b>	Safety lock
<b>LM</b>	Light module
<b>PSW</b>	Pressue level switch
<b>WHS</b>	Water hardness sensor
<b>CULCD</b>	Control unit LCD
<b>ATSW</b>	Automatic on off switch

Code	Description
<b>LCD</b>	Liquid crystal display
<b>PFLT</b>	Parasite filter
<b>TRF</b>	Transformer light module
<b>ALL</b>	Ambi light LED
<b>AOD</b>	Automatic open door
<b>TFT</b>	TFT LCD
<b>FC</b>	Ferrit core
<b>WRV</b>	Water recycling valve
<b>WRP</b>	Water recycling pump
<b>SC</b>	Silicon cable
<b>HIP</b>	Heater integrated pump

Code	Description
<b>or</b>	Orange
<b>wh</b>	White
<b>blu</b>	blu
<b>re</b>	Red
<b>br</b>	Brown
<b>pi</b>	Pink
<b>vi</b>	Violet
<b>bl</b>	Black
<b>gr</b>	Green
<b>yl</b>	Yellow
<b>yl / gr</b>	Yellow / Green
<b>gry</b>	Grey

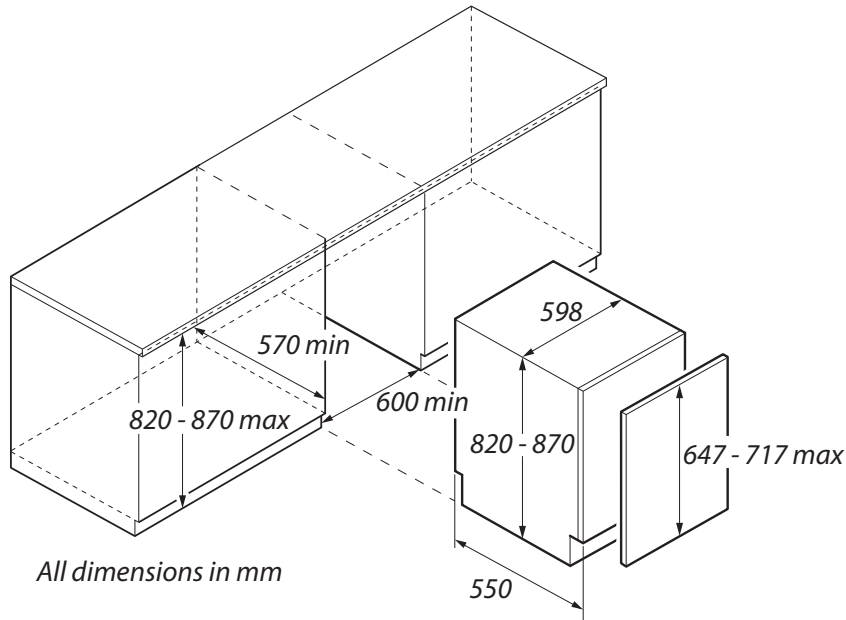
## 9. Technical Data

**INSTALLER:** PLEASE LEAVE THESE INSTRUCTIONS WITH THE USER.

**DATA BADGE LOCATION:** INSIDE FACE ON THE SIDE OF THE DOOR.

**COUNTRY OF DESTINATION:** GB, IE.

### Dimensions



### Connections

ELECTRIC	220-240V 50Hz
----------	---------------

### Technical specifications

Capacity	12 place settings
Dimensions: Height x Width xDepth	820-870 (mm) x 598 (mm) x 550 (mm)
Net weight	31.5 kg
Operating voltage / frequency	220-240V 50 (Hz)
Total current	10(A)
Total power	1900(W)
Water supply pressure	Maximum: 1 (Mpa) Minimum: 0.03 (Mpa)

## Ratings

Supplier's trade mark	Rangemaster
Supplier's model	RDW6012D22
Capacity of dishwasher	12
The energy efficiency class	A++
Annual energy consumption in kWh per year (AEc) ( 280 Cycle )*	258
Energy consumption (Et) (kWh per cycle)	0,90
Off-mode power consumption (W) (Po)	0,50
Left-on mode power consumption (W) (Pi)	1,00
Annual water consumption in litres per year (AWc) ( 280 Cycle )**	3360
Drying efficiency class***	A
Standard programme name****	Eco
Programme time for standard cycle ( min)	187
Duration of the left-on mode (Ti) (min)	-
Airborne acoustical noise emissions ( dB(A) re 1 pW )	49
Freestanding/Built-in	Built-in

in\* Energy consumption **258** kwh per year, based on 280 standard cleaning cycles using cold water fill and the consumption of low power modes. Actual energy consumption will depend on how the appliance is used.

\*\* Water consumption **3360** litres per year based on 280 standard cleaning cycles. Actual water consumption will depend on how appliance is used.

\*\*\* Drying efficiency class **A** on a scale from G (least efficient) to A (most efficient).

\*\*\*\* The "**Eco**" is the standard cleaning cycle to which the information in the label and the fiche relates. This programme is suitable to clean normally soiled tableware and it is the most efficient programme in terms of combined energy and water consumption.



## **10. Warranty/After Sales Service**

---

If consultation or technical assistance is needed, please provide the local authorised service agent with the purchase invoice and the product code/serial number.

The 2 years free maintenance for the operation of the appliance started from the date of purchase of this product.

Any cosmetic damage to the appliance must be reported within 30 days of delivery.

Please note that AGA Rangemaster Limited have appointed Pacifica to administer in warranty repairs on our behalf. If you make a request for an in warranty repair, your details will be held by Pacifica

**Warranty Support Pacifica 0844 847 6711**

## NOTES

---

## NOTES

---

## **AGA RANGEmaster**

Clarence Street, Royal Leamington Spa,  
Warwickshire, CV31 2AD, England.

Tel: +44 (0) 1926 457400 Fax: +44 (0) 1926 450526

E-mail: [consumers@rangemaster.co.uk](mailto:consumers@rangemaster.co.uk)