

RMB45SDBL/SS

User Guide

&

Installation & Service Instructions

RANGEmaster

U110616 - 03A

1. Before You Start...

Thank you for buying a Rangemaster appliance. It should give you many years trouble-free cooking if installed and operated correctly. It is important that you read this section before you start, particularly if you have not used the appliance before.

This appliance is designed for domestic cooking only. Using it for any other purpose could invalidate any warranty or liability claim.

Installation and Maintenance

In the UK, the electrical installation should be in accordance with BS 7671. Otherwise, all installations must be in accordance with the relevant instructions in this booklet, with the relevant national and local regulations, and with the local electricity supply companies' requirements.





Make sure that the appliance is wired in and switched on.

It is recommended that this appliance is serviced annually.

Only a qualified service engineer should service the appliance and only approved spare parts should be used.

Always allow the appliance to cool and then switch it off at the mains before cleaning or carrying out any maintenance work, unless specified otherwise in this guide.

Personal Safety

-  **The storage drawer can only be used for storage.**
-  **NEVER store flammable materials in the drawer. This includes paper, plastic and cloth items, such as cookbooks, plastic ware and towels, as well as flammable liquids.**
-  **DO NOT store explosives, such as aerosol cans, on or near the appliance.**
-  **Flammable materials may explode and result in fire or property damage.**

Cleaning

Before using for the first time proceed as follows:

Wipe the appliance with a damp cloth only, and then dry with a soft cloth.

In the interests of hygiene and safety, the appliance should be kept clean at all times as a build up of fats and other foodstuffs could result in a fire.

Clean only the parts listed in this guide.

Clean with caution. If a damp sponge or cloth is used to wipe spills on a hot surface, be careful to avoid steam burns. Some cleaners can produce noxious fumes if applied to a hot surface.

2. Storage Drawer

1. To open, press the front of the drawer briefly.
2. Hold the front panel and pull the drawer open.
3. Place the items in the drawer.
4. To close the drawer, gently push the drawer to its closed position.

Storage drawer capacity

The capacity of the warming drawer is 25kg. The number of items this includes depends on the size and thickness of your crockery.

Cleaning

Clean the inside of the drawer with hot soapy water and a soft cloth, rinse and dry.

It can get warm, so do not store anything in it that may melt or catch fire.

Storage drawer exterior

- Clean with a damp cloth. If it is very dirty, add a few drops of dish washing detergent to the water. Dry with a dry cloth.
- Slight colour differences on the front of the appliance are due to the use of different materials, such as glass, plastic and metal.

Front panel

- Use a mild detergent and a soft window cleaning cloth or a microfibre cloth that does not leave fibres on the surface. Wipe horizontally, without pressing.
- Do **NOT** use corrosive products, hard sponges or rough cloths for cleaning. Clean the aluminium surfaces with a dry cloth.

Location of Storage Drawer

⚠ IMPORTANT: When correctly installed, your product meets all safety requirements laid down for this type of product. However, special care should be taken around the rear or the underneath of the appliance as these areas are not designed or intended to be touched and may contain sharp or rough edges that could cause injury.

The storage drawer may be installed in a kitchen/kitchen diner but **NOT** in a room containing a bath or shower.

This appliance is designed for domestic cooking only. Use for any other purpose could invalidate any warranty or liability claim.

The kitchen should be dry and have effective ventilation according to the existing technical provisions.

Remove all packaging materials (foils, artificial foam, nails, etc) away from children as they present potential danger.

Dimensions

Dimensions	Oven (excluding front frame)	Oven (including front frame)
Height	141	141
Width	540	594
Depth	524	550
Mass (Kg)	16	
Capacity (Kg)	25	

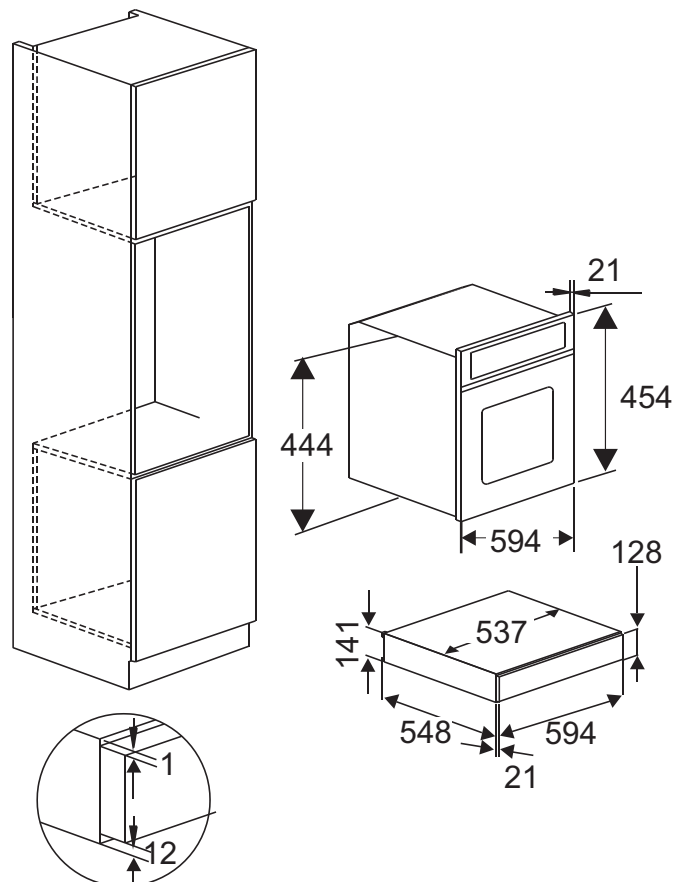
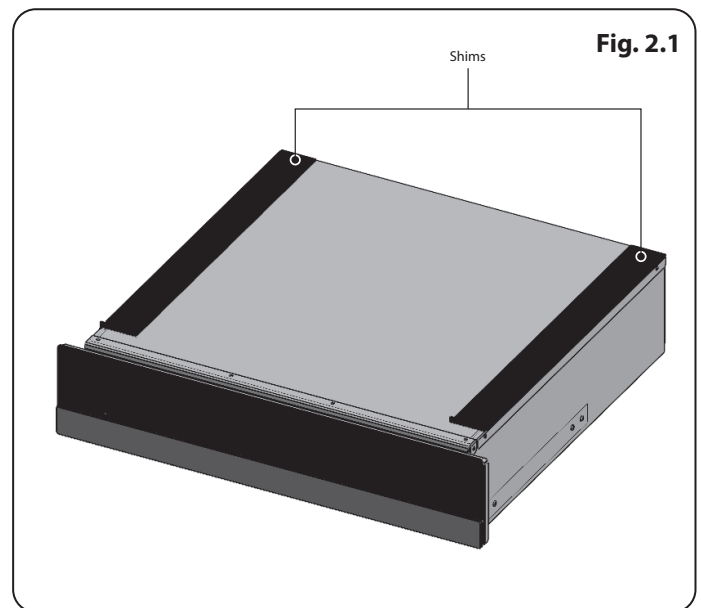
Levelling the appliance

- 2x self-adhesive black shims metal and 1x self-adhesive stainless steel shim (included).

3 shims are included with this 45 cm built-in appliance. These shims are only used when you notice the appliance is uneven in the cabinet.

Check that the dimensions of the cabinet are correct for this appliance.

Before screwing the appliance in the cabinet, turn the appliance over and place the two black shims on either side (**Fig. 2.1**). The black is an extra shim if one end needs to be raised higher and should be placed on top of the black shim.



3. Warranty/After Sales Service

If consultation or technical assistance is needed, please provide the local authorised service agent with the purchase invoice and the product code/serial number.

The 2 years free maintenance for the operation of the appliance started from the date of purchase of this product.

Any cosmetic damage to the appliance must be reported within 90 days of delivery.

Please note that AGA Rangemaster Limited have appointed UK Warranty Solutions to administer in warranty repairs on our behalf. If you make a request for an in warranty repair, your details will be held by Warranty Solutions.

Warranty Solutions: 01759 48 78 25

NOTE

AGA RANGEmaster

Clarence Street, Royal Leamington Spa,
Warwickshire, CV31 2AD, England.

Tel: +44 (0) 800 8046261

E-mail: consumers@agarangemaster.co.uk

