

RMB9045BL/SS

Electric Oven

User Guide

&

Installation & Service Instructions



U110594-03

Contents

1. Before You Start...	1	9. Troubleshooting	16
Installation and Maintenance	1	10. Installation	17
Electrical Safety	1	Dear Installer	17
Before First Use	1	Location of the Oven	17
Personal Safety	1	Positioning the Oven	18
Cleaning	2	Provision for Ventilation	18
2. Oven Overview	3	Electrical Connection	21
3. Function Overview	4	Levelling	21
4. Programming Overview	5	Customer Care	21
Setting the time	6	11. Circuit Diagram	22
Changing the time	6	12. Technical Data	23
Setting the minute minder	7	13. Warranty/After Sales Service	24
Setting the Semi-automatic cooking on the lower oven	8		
Setting the Automatic cooking (<i>Delayed Start</i>) on the lower oven	9		
5. Cooking Tips	10		
Tips on Cooking with the Timer	10		
General Oven Tips	10		
6. Cooking Table	11		
7. Cleaning Your Oven	12		
Essential Information	12		
Control Panel and Doors	12		
Oven	13		
Changing the bulb	14		
8. Oven Shelves	15		

1. Before You Start...

Thank you for buying a Rangemaster appliance. It should give you many years trouble-free cooking if installed and operated correctly. It is important that you read this section before you start.

⚠ CAUTION: This appliance is for cooking purposes only. It must not be used for other purposes, for example room heating. Using it for any other purpose could invalidate any warranty or liability claim. Besides invalidating claims this wastes fuel and may overheat the control knobs.

Installation and Maintenance

The electrical installation should be in accordance with BS 7671, or with the relevant national and local regulations. Have the installer show you the location of the oven control switch and mark it for easy reference.

It is recommended that this appliance is serviced annually. Only a qualified service engineer should service the oven, and only approved spare parts should be used.

Make sure that the oven is wired in and switched on.

Always allow the oven to cool and then switch it off at the mains before cleaning or carrying out any maintenance work, unless otherwise specified in this guide.

Electrical Safety

The electrical installation must be installed in accordance with all relevant British Standards/Codes of Practice, BS 7671. Or with the relevant national and local regulations and with the local gas and electricity supply companies' requirements.

Otherwise, all installations must be in accordance with the relevant instructions in this booklet.

Read the instructions before installing or using this appliance.

- The rating plate is located on the right side of the door.
- This appliance is heavy so take care when moving it.
- The appliance may be installed in a kitchen/kitchen diner but **NOT** in a room containing a bath or shower.
- This appliance **MUST** be earthed.
- The appliance **MUST NOT** be connected to an ordinary domestic power point.
- Set the clock to make sure that the appliance is functional – see the relevant section in this manual.
- The appliance must be installed in accordance with the regulations in force and only in a well ventilated space.
- Failure to install the appliance correctly could invalidate any warranty or liability claims and lead to prosecution.
- **DO NOT** manouvre the appliance while it is plugged into the electricity supply.

- Before electrical reconnection, check that the appliance is electrically safe.

⚠ The appliance should be powered down before replacing the lamp to avoid the possibility of electric shock. During oven operation, the interior surfaces become very hot.

Before First Use

Before using the oven for the first time clean it thoroughly. Switch off the unit at the isolator or mains supply. Remove all packing materials and accessories. Using hot water and a mild detergent, wipe the oven interior and then rinse carefully with a damp cloth. Wash the oven shelves and accessories in a dishwasher or using hot water and a mild detergent and dry thoroughly.

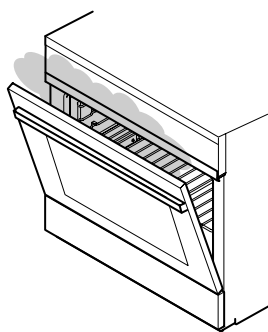
Slide the oven shelves into the oven and close the door. To dispel any manufacturing smells, turn the oven to 200°C and run for an hour.

Before using the grill for the first time you should also turn on the grill and run for 15 minutes with the grill pan in position, pushed fully back, and the grill door open.

Personal Safety

- ⚠ Accessible parts will become hot during use and will retain heat even after you have stopped cooking. Keep babies and children away from the oven.**
- ⚠ When the oven is not in use, ensure that the control knobs are in the OFF position.**
- ⚠ To minimise the possibility of burns, always be certain that the controls are in the OFF position and that the entire oven is cool before attempting to clean.**
- ⚠ Use dry oven gloves when applicable – using damp gloves might result in steam burns when you touch a hot surface. Never operate the oven with wet hands. DO NOT use a towel or other bulky cloth in place of a glove – it might catch fire if it touches a hot surface.**
- ⚠ Always keep combustible wall coverings or curtains, etc., a safe distance away from your oven, and never wear loose-fitting or hanging clothes while using the appliance.**
- ⚠ DO NOT store or use aerosols, or any other potentially combustible or flammable materials, in the vicinity of the oven.**
- ⚠ Care should be taken to avoid touching the heating elements inside the main oven.**
- ⚠ Whole chickens and large joints of meat should be defrosted thoroughly in the refrigerator. Do not defrost in a warm oven or while the adjoining oven is in operation or still warm.**

Fig. 1.1



- ⚠** Cooking high moisture content foods can create a 'steam burst' when the oven door is opened. When opening the oven stand well back and allow any steam to disperse (Fig. 1.1).
- ⚠** When the oven is on, DO NOT leave the oven door open for longer than necessary.
- ⚠** When cooking dishes that contain alcohol, the alcohol may evaporate due to the high temperatures and the vapour can catch fire if it comes into contact with a hot part of the oven.
- ⚠** Frozen foods such as pizzas should be cooked on the wire grill. If the baking tray is used, it may become deformed due to the great variation in temperatures.
- ⚠** Do not pour water into the bottom of the oven when it is hot. This could cause damage to the enamel surface.
- ⚠** The oven door must be closed during cooking.
- ⚠** Fruit juices will leave stains, which will leave a mark on the enamel surfaces of the oven. When cooking very moist cakes, use the deep pan.
- ⚠** Do not rest oven accessories on the open oven door.
- ⚠** DO NOT use a steam cleaner on your appliance.
- ⚠** Never heat unopened food containers. Pressure build-up may cause the containers to burst and cause injury.
- ⚠** DO NOT use aluminium foil to cover shelves, linings or the oven roof.
- ⚠** This appliance is heavy, so take care when moving it.
- ⚠** The appliance is not intended to be operated by means of external timer or separated remote-control system.
- ⚠** This appliance can be used by children aged from 8 years and above and persons with reduced physical, sensory or mental capabilities or lack of experience and knowledge if they have been given supervision or instruction concerning use of the appliance in a safe way and understand the hazards involved.
- ⚠** Children less than 8 years of age should be kept away unless continuously supervised. Children shall not play with the appliance. Cleaning and user maintenance shall not be made by children without supervision.

Cleaning

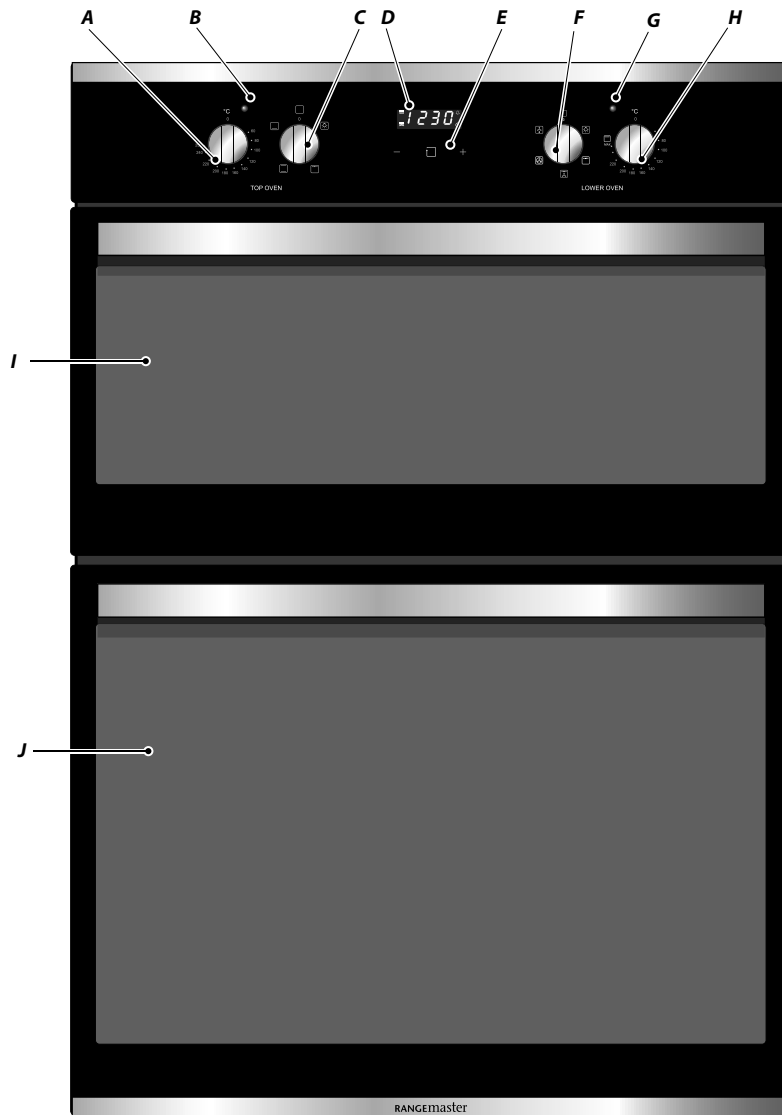
In the interests of hygiene and safety, the oven should be kept clean at all times as a build up in fats and other foodstuffs could result in a fire.

Clean only the parts listed in this guide.

Clean with caution. If a wet sponge or cloth is used to wipe spills on a hot surface, be careful to avoid steam burns. Some cleaners can produce noxious fumes if applied to a hot surface.

2. Oven Overview

Fig. 2.1



Top Oven

1. Half Grill
2. Full Grill
3. Conventional
4. Base Heat

Lower Oven

1. Oven Light
2. Defrost
3. Fan Oven
4. Fanned Grill
5. Conventional

Checking the Parts

- 6x woodscrews (4 mm x 25 mm)

Top Oven

- 1x Shelf
- 1x Deep tray

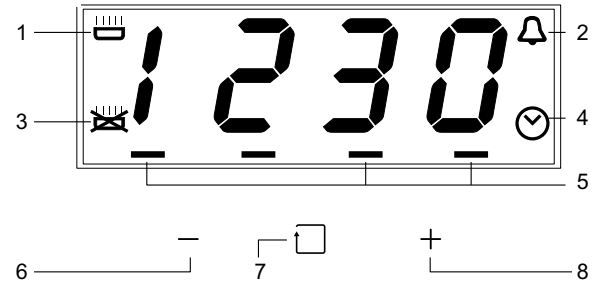
Lower Oven

- 2x Shelf
- 1x Grill pan and trivet
- 1x Handle

Key: Fig. 2.1

- A. Top oven temperature control knob
- B. Top oven indicator light
- C. Top oven 4 function control knob
- D. Clock and timer display
- E. Clock and timer controls
- F. Lower oven 8 function selector knob
- G. Lower oven indicator light
- H. Lower oven temperature control knob
- I. 4 function top oven
- J. 5 function lower oven

Fig. 2.2



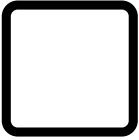
Key: Fig. 2.2

- | | |
|---------------------|---------------|
| 1. Cooking time | 5. Indicators |
| 2. Minute minder | 6. Decrease |
| 3. End cooking time | 7. Menu |
| 4. Clock | 8. Increase |

3. Function Overview

Main Oven Function Modes

No Function Mode Selected



Oven Light



The oven light will operate on all selected function.

Grill



This function radiates the heat from the grill element and the top element. This function allows you to cook at a higher temperature. Ideal for intense browning of the dish and grilling a family meal. **Do not leave the door open.**

Fanned Grill



This function uses the fan to circulate the heat from the grill element around the food. This allows the grilling process to be speeded up. Close the door when in use. **Do not leave the door open.**

Fan Oven



Using the circular element and the fan, this cooking function blows the hot air into and around the oven cavity.

Temperatures are achieved quicker, reducing or even removing the need for preheating. Both cooking temperatures and cooking times can be reduced for a more energy efficient cooking programme.

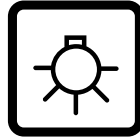
Defrost



Using only the fan, this function circulates the air around the oven cavity, speeding up the natural defrost process.

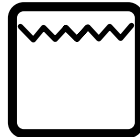
Top Oven Function Modes

Oven Light



The oven light will operate on all selected function.

Grill



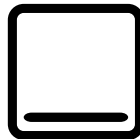
This function radiates the heat from the grill element and the top element. This function allows you to cook at a higher temperature. Ideal for intense browning of the dish and grilling a family meal. **Do not leave the door open.**

Conventional






This function uses the upper and lower heating elements. Natural convection creates a perfect cooking zone in the centre of the oven, ideal for fruit cakes and pastries.

Base Heat



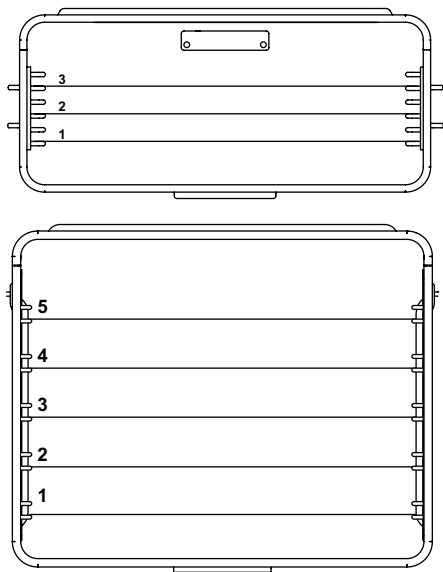
Using heat produced by the bottom element, this natural heat is perfect for dough proving and blindbaking.

For each grill function please note:

-  **Put the grill pan as close to the grill as possible.**
-  **DO NOT grill for more than 30 minutes at a time.**
-  **Preheat the grill for up to five minutes.**

4. Programming Overview

Fig. 4.1



Oven Shelf levels

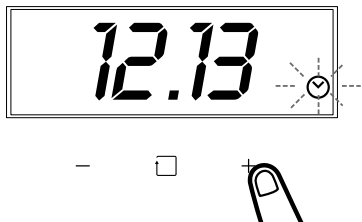
Always count shelf levels from the bottom upwards (Fig. 4.1)

- ⚠** When correctly installed, your product will meet all safety requirements laid down for this type of product. However, special care should be taken around the rear or the underneath of the appliance as these areas are not designed or intended to be touched and may contain sharp or rough edges that could cause injury.

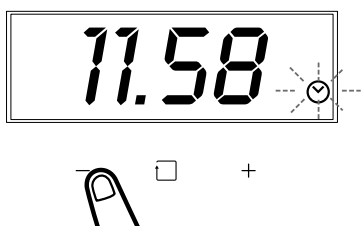
Setting the time

Once the appliance is connected and switched on, the display will start to flash. The clock must be set to the time of day before the oven will work.

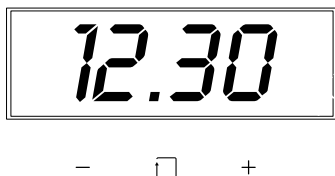
Step 1. Press the "+" button to increase increments.



Step 2. Press the "-" button to decrease increments.



Step 3. Wait approximately 5 seconds for the clock to set and the symbol to disappear.



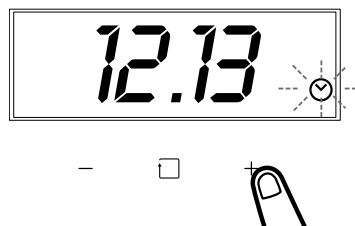
Changing the time

If the clock time needs to be reset or adjusted, please follow the procedure below.

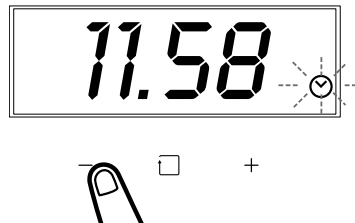
Step 1. Press "Menu" button 4x until the clock indicator flashes.



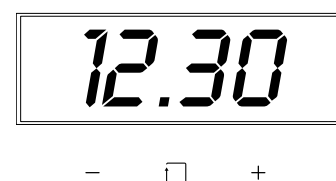
Step 2. Press the "+" button to increase increments.



Step 3. Press the "-" button to decrease increments.



Step 3. Wait approximately 5 seconds for the clock to set and the symbol to disappear.



Setting the minute minder

The minute minder can be used when the oven is switched on or off. It can be set for up to 23 hours and 59 minutes.

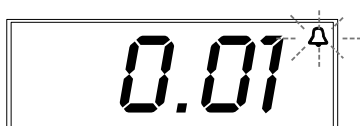
Step 1. Press "Menu" button 3x until the minute minder indicator flashes.



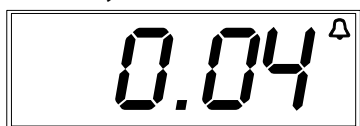
Step 2. Press the "+" button to increase increments.



Step 3. Press the "-" button to decrease increments.



Step 4. Wait approximately 5 seconds for the minute minder to set. The symbol and the countdown will stay on.



Step 5. When the time has elapsed the alarm will sound, the symbol will flash and the current time will show.



Press "Menu" to stop the alarm.

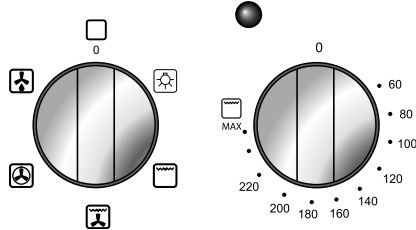
NOTE: The alarm will cut off after two minutes if it is not switched off manually.

⚠ At the end of the countdown, the minute minder will not switch off the oven. Remember to turn off the oven manually.

Setting the Semi-automatic cooking on the lower oven

The lower oven can be set to switch off automatically with a preset time of 10 hours. **Cannot be used on the top oven.**

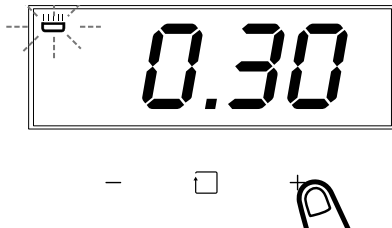
Step 1. Select the function and temperature for the lower oven (the oven will switch on).



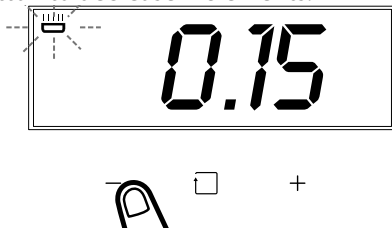
Step 2. Press "Menu" once, the display will show the current time and the cooking time indicator will flash.



Step 3. While the cooking time indicator flashes press the "+" button to increase increments.



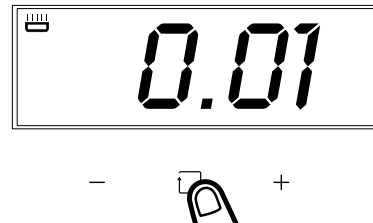
Step 4. While the cooking time indicator flashes press the "-" button to decrease increments.



Step 5. Once you have set the duration of the cooking time, wait approximately 5 seconds. The cooking time symbol will show on the clock



Step 6. To view how many minutes are left in the cooking time press the "Menu" button.



Step 7. Alarm will sound and the symbol will flash when the cooking time has elapsed and the lower oven will switch off.



Press "Menu" to stop the alarm.

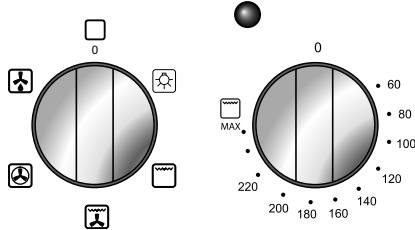
⚠ At the end of the countdown, the cooking time will not switch off the oven. Remember to turn off the oven manually.

Setting the Automatic cooking

(Delayed Start) on the lower oven

The lower oven can be set to switch off automatically with a preset time of 10 hours. **Cannot be used on the top oven.**

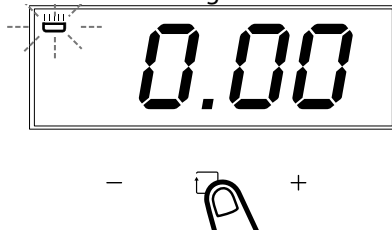
Step 1. Select the function and temperature for the lower oven (the oven will switch on).



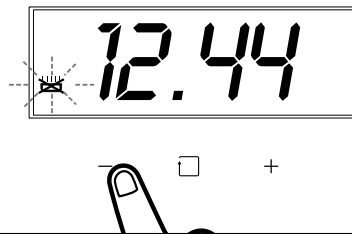
Step 6. Calculate the time for the cooking to finish. Press the "+" button to increase increments.



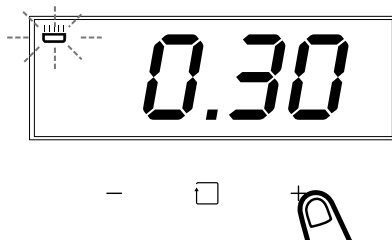
Step 2. Press "Menu" once, the display will show the current time and the cooking time indicator will flash.



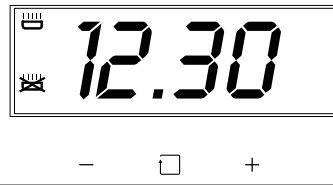
Step 7. Press the "-" button to decrease increments.



Step 3. Press the "+" button to increase increments.



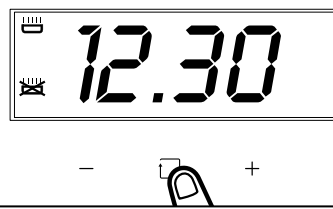
Step 8. Once you have set the end cooking time, wait approximately 5 seconds. The cooking time and end cooking time symbol and the current time



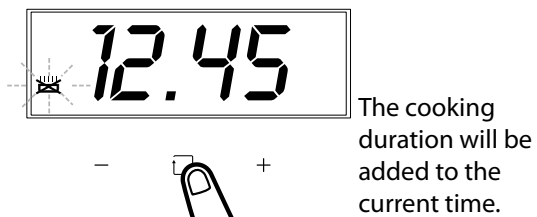
Step 4. Press the "-" button to decrease increments.



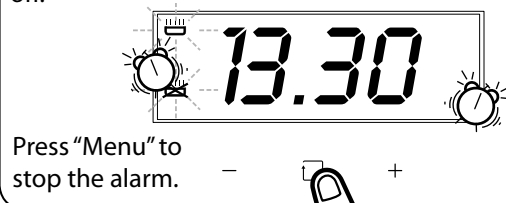
Step 9. To review or adjust any of the parameters press the "Menu" button.



Step 5. Press the "Menu" button the end cooking time symbol will flash.



Step 10. Alarm will sound and the symbol will flash when the cooking time has elapsed and the lower oven will switch off.






⚠ At the end of the countdown, the cooking time will not switch off the oven. Remember to turn off the oven manually.

5. Cooking Tips

Tips on Cooking with the Timer

If you want to cook more than one dish, choose dishes that require approximately the same cooking time. However, dishes can be 'slowed down' slightly by using small containers and covering them with aluminium foil, or 'speeded up' slightly by cooking smaller quantities or placing them in larger containers.

Very perishable foods such as pork or fish should be avoided if a long delay period is planned, especially in hot weather.

-  **DO NOT place warm food in the oven to be timed.**
-  **DO NOT use a timed oven that is already warm.**
-  **DO NOT use the timed oven if the adjoining oven is already warm.**

Whole poultry must be thoroughly defrosted before being placed in the oven. Check that meat and poultry are fully cooked before serving.

General Oven Tips

The wire shelves should always be pushed firmly to the back of the oven.

Baking trays with food cooking on them should be placed level with the front edge of the oven's wire shelves. Other containers should be placed centrally. Keep all trays and containers away from the back of the oven, as overbrowning of the food may occur.

For even browning, the maximum recommended size of a baking tray is 340 mm (13½") by 340 mm (13½").

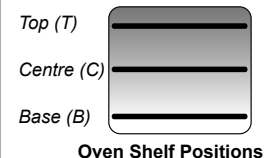
When the oven is on, do not leave the door open for longer than necessary, otherwise the knobs may get very hot.

- Always leave a "finger's width" between dishes on the same shelf. This allows the heat to circulate freely around them.
- To reduce fat splashing when you add vegetables to hot fat around a roast, dry them thoroughly or brush lightly with cooking oil.
- Where dishes may boil and spill over during cooking, place them on a baking tray.
- The 'Cook & Clean' oven liners (see '*Cleaning Your Cooker*') work better when fat splashes are avoided. Cover meat when cooking.
- Sufficient heat rises out of the oven while cooking to warm plates in the grill compartment.
- If you want to brown the base of a pastry dish, preheat the baking tray for 15 minutes before placing the dish in the centre of the tray.

6. Cooking Table

The oven control settings and cooking times given in the table below are intended to be used **AS A GUIDE ONLY**. Individual tastes may require the temperature to be altered to provide a preferred result.

Food is cooked at lower temperature in a fan oven than in a conventional oven. When using recipes, reduce the fan oven temperature by 10°C and the cooking time by 5-10 minutes. The temperature in the fan oven does not vary with height in the oven so you can use any shelf.



Food	Conventional Oven	Fan Oven	Approximate Cooking Time	
	Temperature °C (Shelf Position)	Temperature °C		
Meat				
Beef (no bone)	160 (C)	150	30-35 minutes per 500g +30-35 minutes.	<i>Thoroughly thaw frozen joints before cooking. Meat may be roasted at 220°C (210°C for fan oven) and the cooking time adjusted accordingly. For stuffed and rolled meats, add approximately 10 minutes per 500g, or cook at 200°C (190°C) for 20 minutes then 160°C (150°C) for the remainder.</i>
	200 (C)	190	20-25 minutes per 500g +20-25 minutes.	
Lamb	160 (C)	150	30-35 minutes per 500g +30-35 minutes.	
	200 (C)	190	25-30 minutes per 500g +25-30 minutes.	
Pork	160 (C)	150	35-40 minutes per 500g +35-40 minutes.	
	200 (C)	190	25-30 minutes per 500g +25-30 minutes.	
Poultry				
Chicken	160 (C)	150	20-25 minutes per 500g +20-25 minutes.	<i>For stuffed poultry, you could cook at 200°C (190°C) for 20 minutes then 160°C (150°C) for remainder. Do not forget to include the weight of the stuffing. For fresh or frozen prepacked poultry, follow instructions on the pack. Thoroughly thaw frozen poultry before cooking.</i>
	200 (C)	190	15-20 minutes per 500g +15-20 minutes.	
Turkey	160 (C)	150	20 minutes per 500g +20 minutes.	
	200 (C)	190	15 minutes per 500g +15 minutes.	
Duck	160 (C)	150	25-30 minutes per 500g.	
	200 (C)	190	20 minutes per 500g.	
Casserole	140-150 (C)	130-140	2-4 hours according to recipe.	
Yorkshire Pudding	220 (C)	210	Large tins 30-35 minutes; individual 10-20 minutes.	
Cake				
Very rich fruit - Christmas, wedding, etc.	140 (C/B)	130	45-50 minutes per 500g of mixture.	<i>Using the conventional oven: when two tier cooking leave at least one runner space between shelves. Position the baking tray with the front edge along the front of the oven shelf.</i>
Fruit 180 mm tin	150 (C/B)	140	2-2½ hours.	
Fruit 230 mm tin	150 (C/B)	140	Up to 3½ hours.	
Madeira 180 mm	160 (C/B)	150	80-90 minutes.	
Queen cakes	190 (C/B)	180	15-25 minutes.	
Scones	220 (C/B)	210	10-15 minutes.	
Victoria sandwich				<i>Up to three tiers can be cooked in a fan oven at the same time but make sure to leave at least one runner space between each shelf being cooked on.</i>
180 mm tin	180 (C/B)	170	20-30 minutes.	
210 mm tin	180 (C/B)	170	30-40 minutes.	
Desserts				
Shortcrust tarts	200 (C/B)	190	20-30 minutes on a preheated tray.	<i>Using the conventional oven: for even browning the maximum size of baking tray recommended is 340 mm x 340 mm. This ensures free heat circulation.</i>
Fruit pies	200 (C/B)	190	35-45 minutes.	
Tartlets	200 (C/B)	190	10-20 minutes according to size.	
Puff pastry	210 (C/B)	200	20-40 minutes according to size.	<i>If cooking a two tier load, the trays should be interchanged approximately halfway through the cooking time.</i>
Meringues	100 (C/B)	90	2-3 hours.	
Baked egg custard	160 (C/B)	150	45-60 minutes.	
Baked sponge pudding	180 (C/B)	170	40-45 minutes.	
Milk pudding	140-150 (C/B)	130-140	2 to 3 hours.	
Bread	210 (C)	200	20-30 minutes.	
Fish				
Fanned Grilling				
Fillet	190 (C/B)	190 (C/B)	15-20 minutes.	
Whole	190 (C/B)	190 (C/B)	15-20 minutes per 500g.	
Steak	190 (C/B)	190 (C/B)	Steaks according to thickness.	

7. Cleaning Your Oven

Essential Information

Allow the oven to cool and isolate the electricity supply before carrying out any thorough cleaning and maintenance.

- ⚠ Never use paint solvents, washing soda, caustic cleaners, biological powders, bleach, chlorine based bleach cleaners, coarse abrasives or salt.**
- ⚠ Do not mix different cleaning products – they may react together with hazardous results.**
- ⚠ Any abrasive cleaner will scratch the surface and could erase the control panel markings. Stainless steel can be effectively cleaned by simply using a dilute solution of water and mild detergent and drying to a shine with clean cloth.**

All parts of the oven can be cleaned with hot soapy water, take care that no surplus water seeps into the appliance.

The inside of the oven should preferably be cleaned immediately after use when it is warm and not hot.

Dry any condensation with a soft cloth.

The rubber seal surrounding the oven opening which guarantees its perfect functioning must be checked on a regular basis. If necessary, clean the seal and should it get damaged please call our after sales.

Never line the bottom oven with aluminium foil as the circulation of heat could be compromised and could damage the enamel.

Regular cleaning is recommended. For easier cleaning, wipe away any spillages immediately. Clean the glass door with a soft sponge or cloth.

Remember to switch on the electricity supply before re-using the oven.

Control Panel and Doors

Avoid using any abrasive cleaners, including cream cleaners, on brushed stainless steel surfaces. For best results use a liquid detergent.

The control panel, knobs and doors should only be cleaned with a soft cloth wrung out in clean, hot soapy water. After cleaning, polish with a dry cloth.

The oven door is triple glazed, the inner glass may be removed for cleaning both inner glass and the inside face of the outer glass.

Removing the Oven Door

To aid cleaning and to make access to the oven cavity easier, the oven door can be removed.

1. Open the door to the full extent. Unlock the locking clips on both the left and right hinges (**Fig. 7.1**).
2. Gently close and align the the left and right hinge levers "A" are hooked to part "B" of the door (**Fig. 7.2**).
3. Grip the sides of the door and withdraw by going forwards and upwards (**Fig. 7.3**).
4. Rest the door on a soft surface.

Refitting the Oven Door

To refit the door, slide the hinges back into their slots. Rotate the locking 'U' clips back to fit onto the hinges.

Oven

- ⚠ Do not use steel wool, oven cleaning pads, or any other materials that will scratch the surface.**

To remove the inner glass

1. First remove the door.
2. Place the door on a soft, clean and cushioned surface.
3. Remove the two screws **Fig. 7.4**, .
4. Gently pull out the inner glass.
5. Clean the glass and allow to dry. While the inner glass is drying, clean the inside of the outer glass.
6. Take care to assemble the glass the right way around.

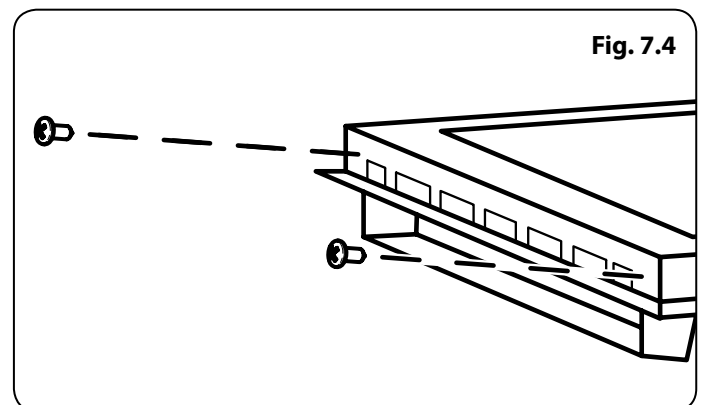
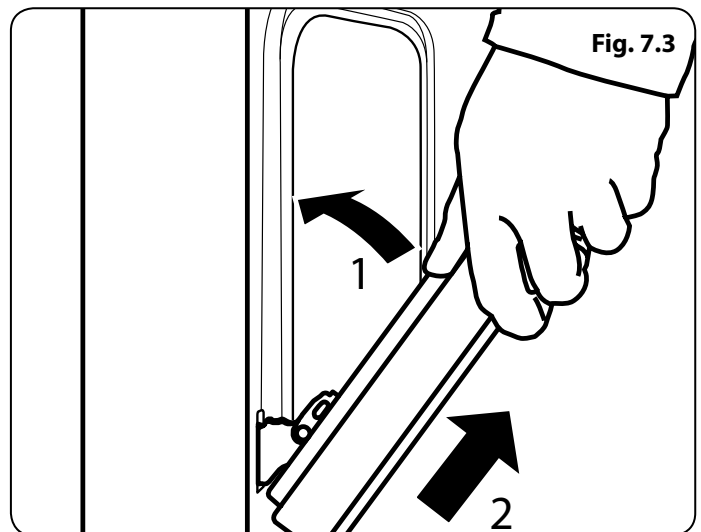
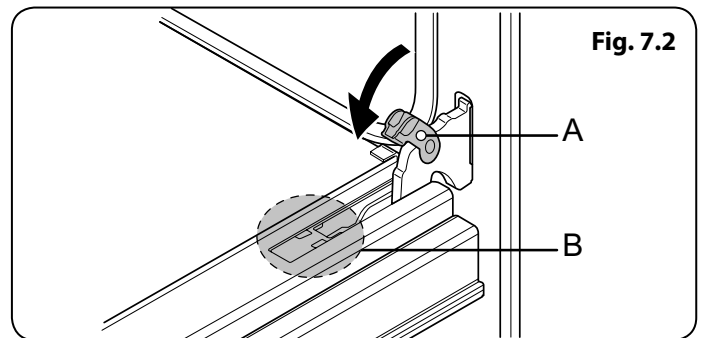
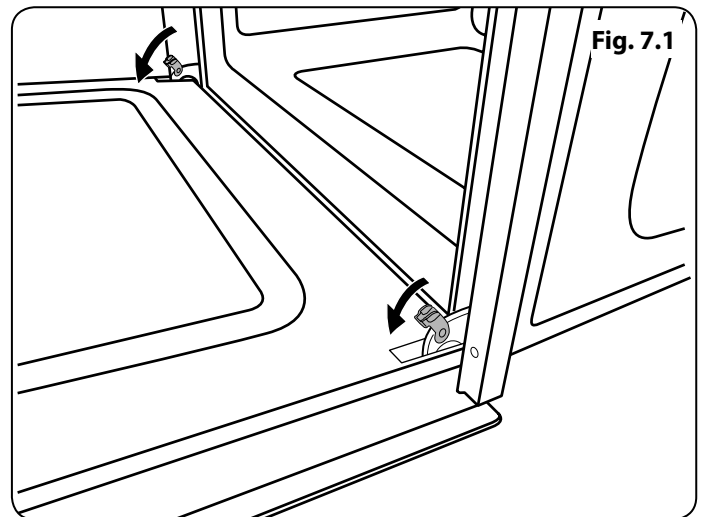
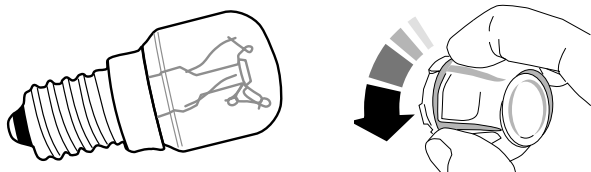


Fig. 7.5



Changing the bulb

Oven light Fig. 7.5

You can buy a replacement bulb (which is not covered under the warranty) from a good electrical shop. Ask for a 15 W – 230V lamp, FOR OVENS. It must be a special bulb, heat resistant to 300 °C.

1. Turn off the power at the circuit breaker.
2. Before removing the existing bulb, turn off the power supply and make sure that the oven is cool. Open the oven door and remove the oven shelves.
3. Unscrew the protective cover by turning counter-clockwise. It may be very stiff. We recommend that you wash and dry the glass cover at this point.
4. Carefully unscrew the old bulb and insert the new bulb.
5. Screw back the bulb cover. Turn on the circuit breaker and check that the bulb now lights. Refit the protective cover.

⚠ NEVER use screwdrivers or other utensils to remove the light cover. This could damage the enamel of the oven or the lamp holder.

⚠ Remove only by hand.

⚠ Never replace the bulb with bare hands as contamination from your fingers can cause premature failure. Always use a clean cloth or gloves.

⚠ Please note: The bulb replacement is not covered by your guarantee.

8. Oven Shelves

Removing the runners in the oven

1. Check the oven is cool and switched off.
2. Open the oven door.
3. Remove all shelves for either the top oven (**Fig. 8.1**) or main oven (**Fig. 8.3**).
4. Slightly squeeze the bottom two row of the runner under the screw. Top oven (**Fig. 8.2**) main oven (**Fig. 8.4**).
5. Whilst squeezing the bottom two row, pull the runner away from the side of the oven chamber (**Fig. 8.4**).
6. To fit the runners follow the steps in reverse order.

Fig. 8.1

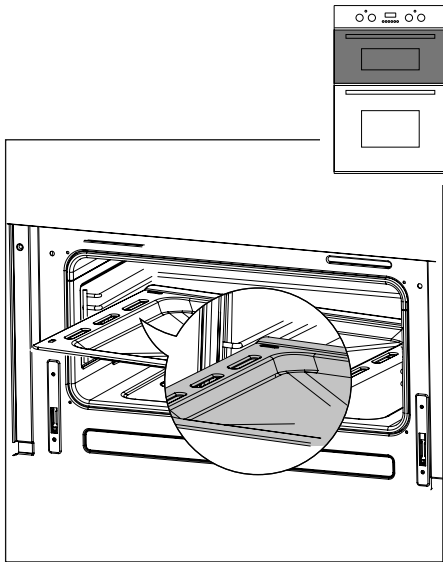


Fig. 8.2

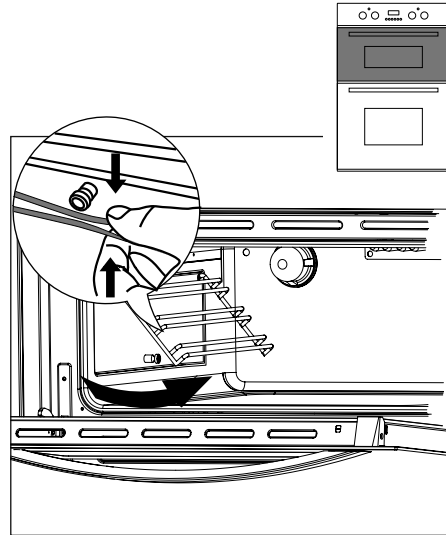


Fig. 8.3

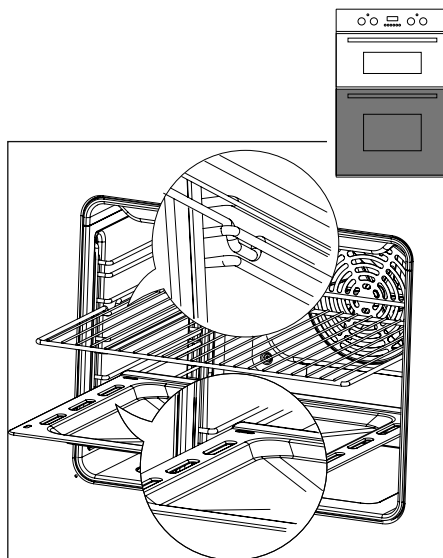
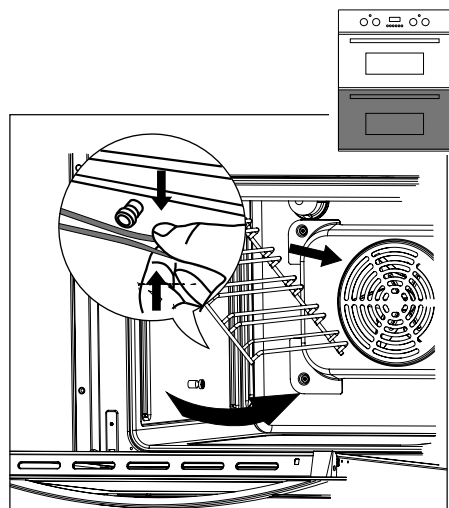


Fig. 8.4



9. Troubleshooting

Steam is coming from the oven.

When cooking foods with a high water content (e.g. oven chips) there may be some steam visible at the top of the door. Take care when opening the oven door, as there may be a momentary puff of steam when the door is opened. Stand well back and allow any steam to disperse.

The oven fan is noisy.

The note of the fan may change as the oven heats up – this is perfectly normal.

Grill not cooking properly.

Are you using the pan and trivet supplied with the cooker? Is the pan being used on the runners, not the floor of the compartment? Is the grill tray pushed fully back to stop?

The knobs get hot when I use the oven or the grill. Can I avoid this?

Yes, this is caused by heat rising from the oven or the grill and heating them up. **Do not leave the oven door open.** Make sure that the grill pan is pushed right back to the 'back stop' when grilling. Always grill with the compartment door closed.

If there is an installation problem and I don't get my original installer to come back to fix it, who pays?

You do. Service organizations will charge for their call-outs if they are correcting work carried out by your original installer. Therefore, it is in your own interest to keep track of this installer so that you can contact them as required.

Power failure.

In the event of a failure in the electrical supply remember to reset the clock to ensure that the timed oven continues to operate.

Food is cooking too slowly, too quickly, or burning.

Cooking times may differ from your previous oven. Check that you are using the recommended temperatures and shelf positions – see the '*Oven Cooking Guide*' – then adjust the settings according to your own individual tastes.

The oven is not cooking evenly.

DO NOT use a baking tray with dimensions larger than those specified in the section, 'General Oven Tips'.

If you are cooking a large item, be prepared to turn it round during cooking.

If two shelves are used, check that space has been left for the heat to circulate. When a baking tray is put into the oven, ensure that it is placed centrally on the shelf.

Check that the door seal is not damaged and that the door is held firmly against the seal.

A dish of water when placed on the shelf should be the same depth all over. (For example, if it is deeper at the back, then the back of the cooker should be raised up or the front lowered). If the cooker is not level arrange for your supplier to level it for you.

Oven temperature getting hotter as the cooker gets older.

If turning the temperature down using the oven control knob has not worked, or has only worked for a short time, then you may need a new thermostat. This should be fitted by a service person.

The oven light is not working.

The bulb has probably blown. Follow the Changing the bulb procedure.

INSTALLATION

Check the appliance is electrically safe and gas sound when you have finished.

10. Installation

Dear Installer

Before you start your installation, please complete the details below.

Installer's Name
Installer's Company
Installer's Telephone Number
Appliance Serial Number

If your customer has a problem relating to your installation they will be able to contact you easily.

You must be aware of the following safety requirements & regulations:

This appliance shall be installed in accordance with the regulations in force and in a well-ventilated space. Read the instructions before installing or using this appliance.

The cooker must be installed in accordance with:

- All relevant British Standards / Codes of Practice
- The relevant Building / IET regulations

Location of the Oven

The oven may be installed in a kitchen/kitchen diner but NOT in a room containing a bath or shower.

This appliance is designed for domestic cooking only. Use for any other purpose could invalidate any warranty or liability claim.

⚠ This appliance should not be installed in a boat or caravan.

You will need the following tools and equipment to complete the oven installation satisfactorily:

1. Electric drill
2. Steel tape measure
3. Cross head screwdriver
4. Pencil
5. Multimeter (for electrical checks)

INSTALLATION

Check the appliance is electrically safe and gas sound when you have finished.

Positioning the Oven

The oven can be installed at high level in a tall kitchen unit and depending on the type of installation it is designed to fit into a standard 600 mm wide cabinet housing (**Fig. 10.1**).

The housing should not be free standing but be secured to the wall and/or adjacent fittings.

To ensure the trim is not damaged due to the appliance being placed on the floor. The appliance should be suitably supported as in the illustrations (**Fig. 10.2**).

To avoid damage to the lower trim please follow the instructions. The lower trim is designed to allow for good air circulation and the correct opening of the oven door.

Ensure that air can flow freely around the housing area. If the oven is being installed into a fully enclosed built-under oven housing unit it may be necessary to cut a small slot in the top of the plinth fitted under the unit. Cut a section 400 mm wide and a minimum of 10 mm high to allow air to pass under the unit. Alternatively cut a section 400 x450 mm in the base of the carcass **Fig. 10.3** and **Fig. 10.4**.

Surfaces of furniture and walls adjacent to the appliance should be heat, splash and steam resistant. All cabinet doors must be at least 4 mm from the oven at all points.

Certain types of vinyl or laminate kitchen furniture are particularly prone to heat damage and discolouration. We cannot accept responsibility for damage caused by normal use of the appliance to any material that de-laminates or discolours at temperatures less than 65°C above room temperature.

When placing the oven in the housing, do not use the oven door or handle as a lever for lifting the oven as damage may result.

If you lower the oven door, you will see 6 screw holes, 3 on each side of the oven. The oven should then be secured to the housing by fitting screws into these holes **Fig. 10.5**.

After installation the appliance door should be slowly opened to ensure no damage has occurred.

We cannot accept responsibility for damage if these instructions have not been followed.

Provision for Ventilation

Failure to allow adequate ventilation to the appliance may result in overheating or damage to adjacent units and could invalidate the guarantee.

The appliance housing used must provide adequate ventilation. To allow for sufficient ventilation space a minimum of 560 mm of depth is required.

If a tall housing is to be installed flush with the ceiling, a 20 cm² ventilation cut-out must be provided at the top of the housing.

INSTALLATION

Check the appliance is electrically safe and gas sound when you have finished.

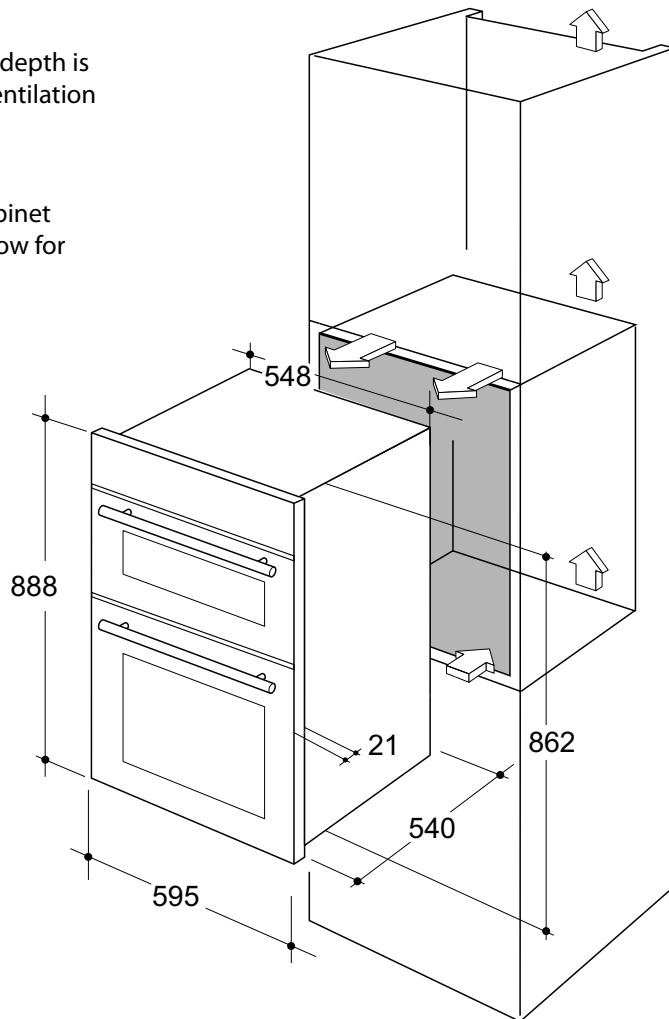
Fig. 10.1

⚠ IMPORTANT

Minimum of 560 mm of depth is required for sufficient ventilation

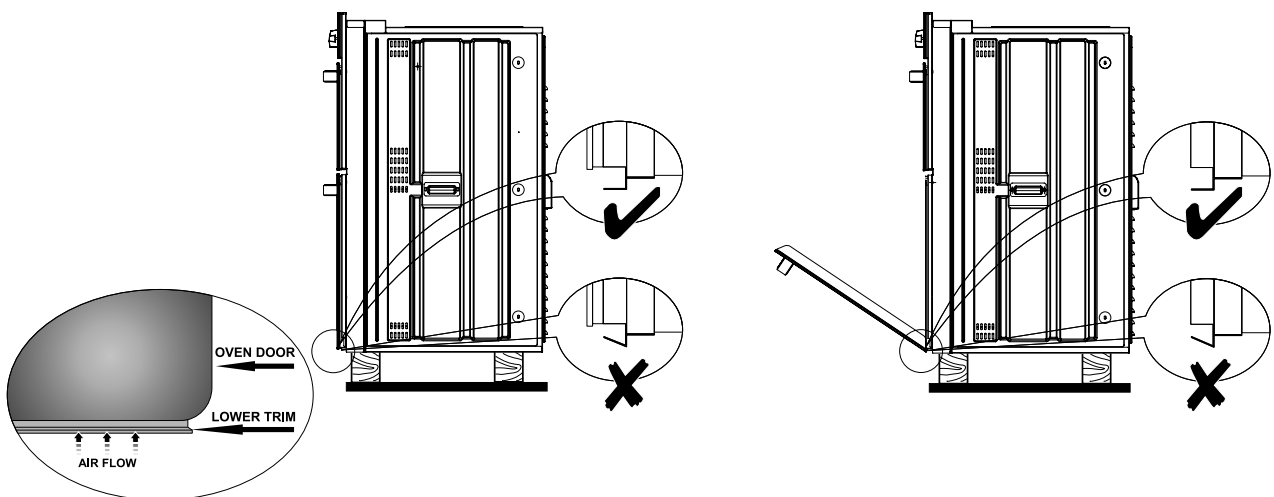
⚠ IMPORTANT

The underside of the cabinet should be opened to allow for correct air circulation.



All dimensions in mm

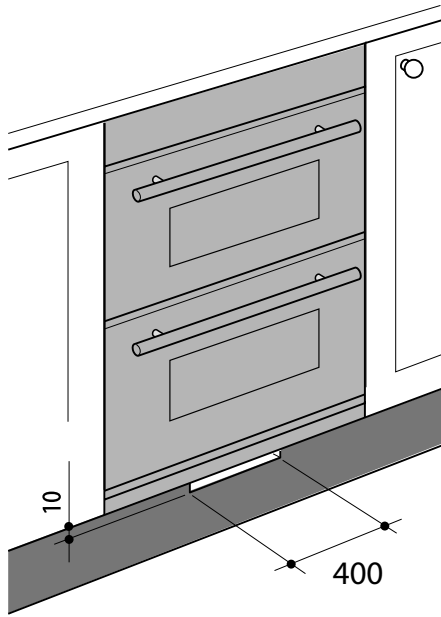
Fig. 10.2



INSTALLATION

Check the appliance is electrically safe and gas sound when you have finished.

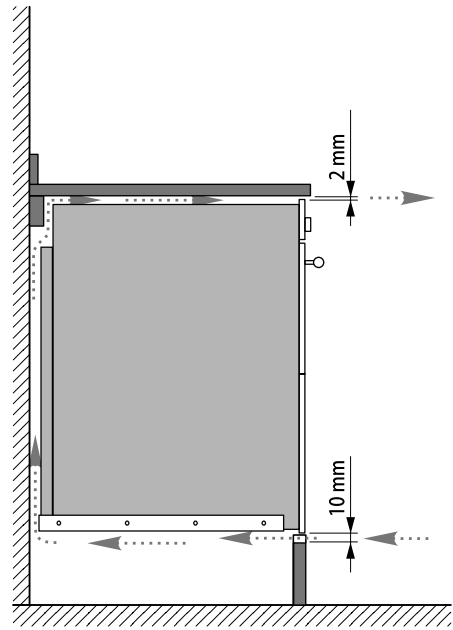
Fig. 10.3



⚠ IMPORTANT

If installing the base panel leave a space as indicated in Fig. 10.4 to allow for air circulation.

Fig. 10.4

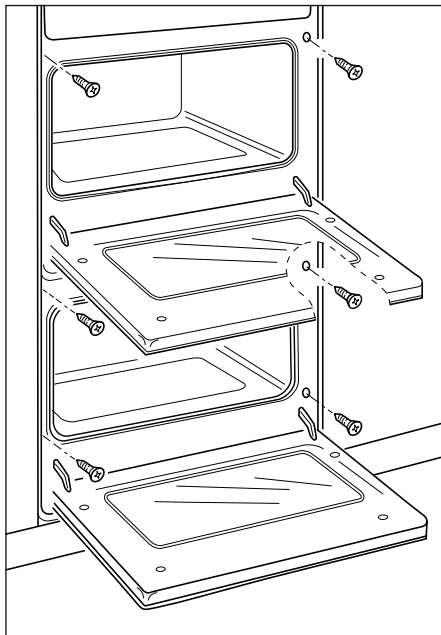


⚠ IMPORTANT

Stand away from louvers positioned below the control panel. Hot air can cause burns to hands, face and eyes.

Keep children away.

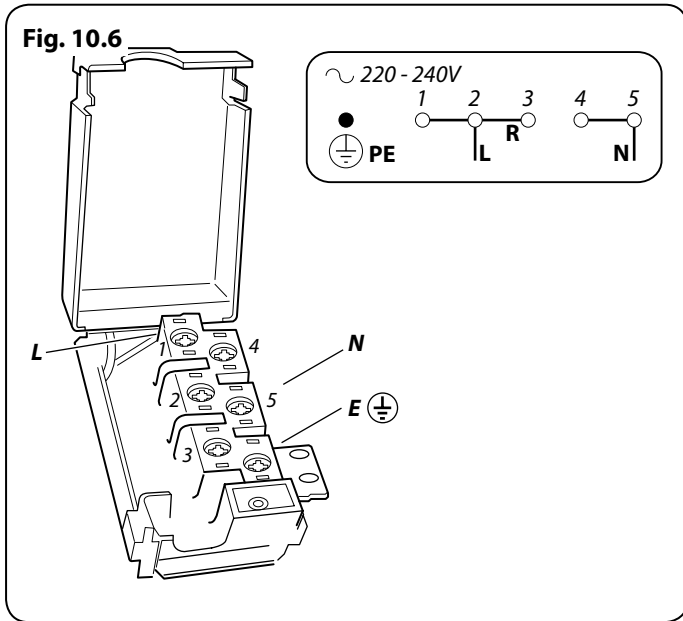
Fig. 10.5



Fit the 6 screws to the kitchen base unit

INSTALLATION

Check the appliance is electrically safe and gas sound when you have finished.



Electrical Connection

This appliance must be installed by a qualified electrician to comply with the relevant Institute of Engineering and Technology (I.E.T.) regulations and also the local electricity supply company requirements.

⚠ WARNING: THIS APPLIANCE MUST BE EARTHED

Note: The appliance must be connected to the correct electrical supply as stated on the voltage label on the appliance, through a suitable cooker control unit incorporating a double pole switch having a contact separation of at least 3mm in all poles. **This appliance must not be connected to an ordinary domestic power point.**

The mains terminal is situated on the back of the oven (**Fig. 10.6**).

Connect the cable to the correct terminals. Check that the links are correctly fitted and that the terminal screws are tight. Secure the mains cable using the cable clamp.

Ensure the cable route avoids the risk of trapping or touching hot surfaces.

Current Operated Earth Leakage Breakers

Where the installation is protected by a 30mA sensitivity residual current device (RCD), the combined use of your appliance and other domestic appliances may occasionally cause nuisance tripping. In these instances the kitchen circuit may need to be reconfigured. This work should be carried out by a qualified electrician.

Levelling

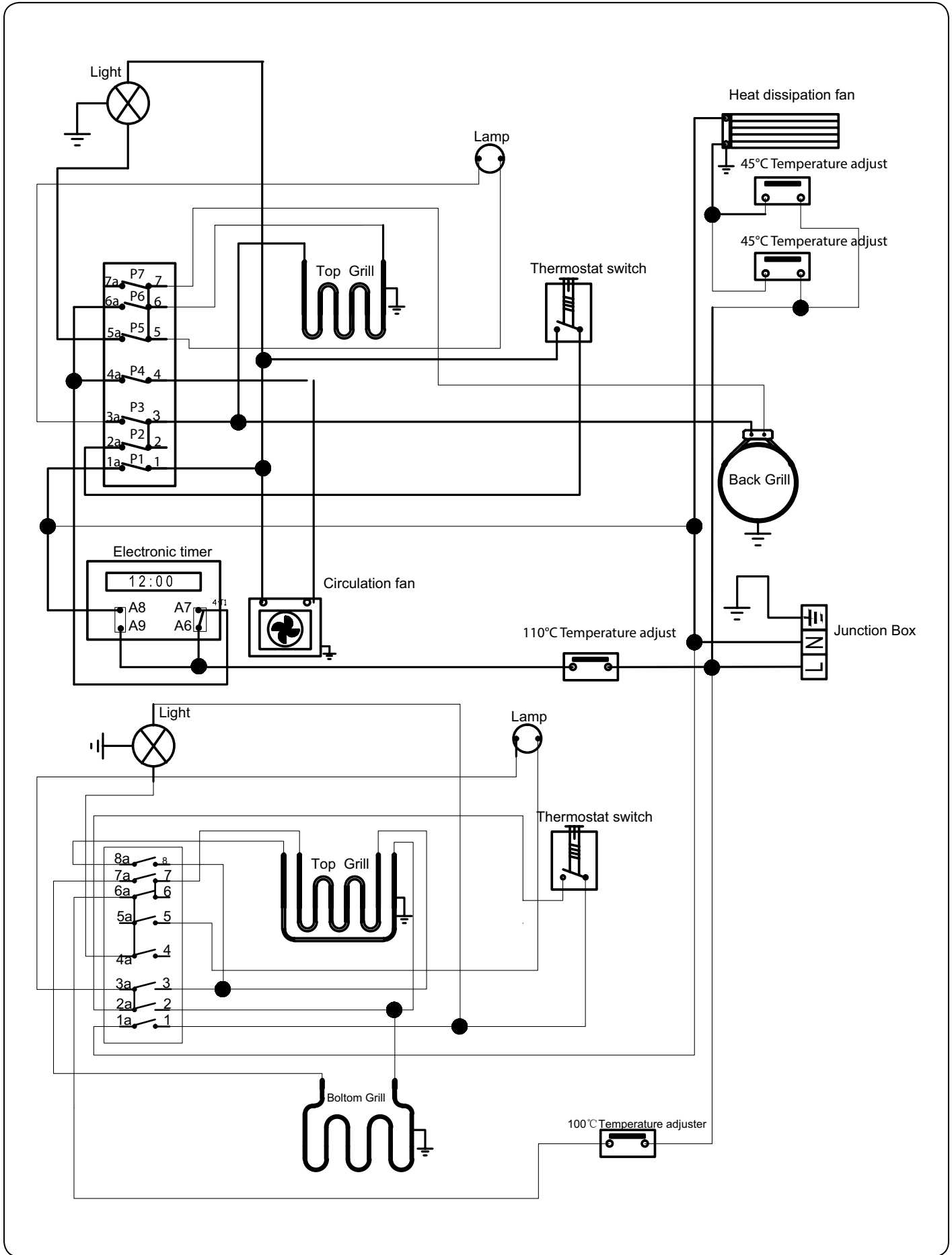
The worktop should already be fitted and levelled, and the cabinets mounted 90° to the worktop. It is only necessary to ensure the top front edge of the appliance unit supports the front edge of the worktop and line up the appliance trims with the doors.

Customer Care

Please complete your contact details in the front of this section. Please inform the user how to operate the appliance and hand over the instruction pack.

Thank you.

11. Circuit Diagram



12. Technical Data

INSTALLER: Please leave these instructions with the user.

DATA BADGE LOCATION: Back of the oven.

COUNTRY OF DESTINATION: GB, IE.

Dimensions

Dimensions	Oven (excluding front frame)	Oven (including front frame)
Height	862	888
Width	548	595
Depth	540	561

Oven Data

Brand		Rangemaster
Model identification		RMB9045BL/SS
Type of oven		Electric
Mass	kg	61
Number of cavities		2
Top Oven Efficiency		
Fuel type		Electric
Cavity type <i>*Drop Down Door</i>		Multifunction*
Volume	Litres	31
Energy consumption - conventional	kWh / cycle	0.58
Energy efficiency index - conventional		85.3
Energy class		A
Main Oven Efficiency		
Fuel type		Electric
Cavity type <i>*Drop Down Door</i>		Multifunction*
Volume	Litres	57
Energy consumption - fanned (forced air) conventional	kWh / cycle	0.78
Energy efficiency index - conventional		116.5
Energy efficiency index - fanned (forced air) conventional		98.7
Energy class		A
Maximum total electrical load at 230 V (approximate total including hob, oven lights, oven fan, etc.)		4.680 kW

13. Warranty/After Sales Service

If consultation or technical assistance is needed, please provide the local authorised service agent with the purchase invoice and the product code/serial number.

The 2 years free maintenance for the operation of the appliance started from the date of purchase of this product.

Any cosmetic damage to the appliance must be reported within 90 days of delivery.

Free from a landline: +44 (0) 800 8046261

Depending on your mobile network, call from this number is free: +44 (0) 3707 895107

NOTE

NOTE

NOTE

AGA RANGEmaster

Clarence Street, Royal Leamington Spa,
Warwickshire, CV31 2AD, England.

Tel: +44 (0) 800 8046261

E-mail: consumers@agarangemaster.co.uk

