



Built from experience



USER GUIDE & INSTALLATION INSTRUCTIONS

Classic Deluxe / Professional Deluxe
Toledo / Elan / Hi-LITE
90 Induction

Show off your kitchen with ...

This is #MyRangemaster

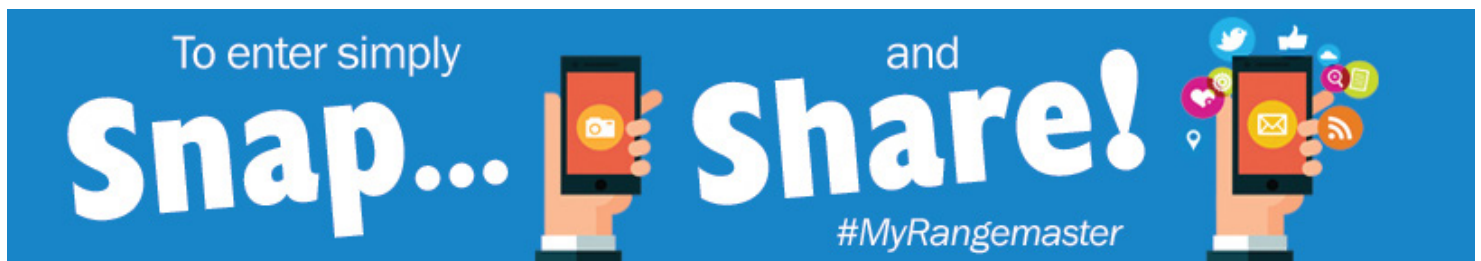


Simply snap and share a picture of your kitchen and tag #MyRangemaster for the chance to win £200 of Rangemaster cookware. If selected we will also send a photographer round to professionally photograph you at home with your range. You might even feature in some of the UK's top home interest titles!

To enter all you have to do is send in photos of your Rangemaster kitchen and tell us in one sentence **what makes Rangemaster the heart of your kitchen?** Entries can be posted on our Facebook page, Instagram or Twitter by tagging @RangemasterUK and using #MyRangemaster. Or, if you prefer, simply send in your entry via e-mail to marketing@agarangemaster.co.uk.

Rangemaster will feature a number of entries on the website online gallery and on the Rangemaster Facebook page, and some kitchens may be selected to be professionally photographed.

*Terms & Conditions Apply



RANGEmaster COOKWARE

Our range cookers are well known for providing the best possible cooking performance and years of faithful service.

However, a great cooker alone cannot guarantee perfect results every time. The other vital ingredients are of course enthusiasm and quality cookware.

We offer cookware to work perfectly with all fuel types manufactured by Rangemaster, including induction hobs. You can be assured of functionality with style, as well as the quality and meticulous attention to detail you expect from the pioneers of range cooking.

Visit www.rangemastercookshop.co.uk



*Terms & Conditions

1. This is my Rangemaster is open to residents of UK mainland only, aged 18 years & over. 2. All entries should be submitted to the advertised e-mail address, or Rangemaster UK Facebook, Instagram or Twitter page using the advertised hashtag & tag. 3. If we would like to professionally photograph your kitchen, you will be contacted via e-mail, Facebook / Twitter message or Instagram comment. 4. We cannot guarantee your kitchen will be professionally photographed. 4. Any photographs received and professional photographs taken will belong to AGA Rangemaster plc with full usage rights. E&OE.

Contents

| | | | |
|---|-----------|---|-----------|
| 1. Before You Start... | 1 | 7. Troubleshooting | 24 |
| Installation and Maintenance | 1 | 8. Installation | 27 |
| Peculiar Smells | 1 | Dear Installer | 27 |
| Ventilation | 1 | Safety Requirements and Regulations | 27 |
| Personal Safety | 1 | Provision of Ventilation | 27 |
| Hob Care | 3 | Location of Cooker | 27 |
| Cooker Care | 3 | Positioning the Cooker | 28 |
| 2. Cooker Overview | 4 | Moving the Cooker | 28 |
| The Hob | 4 | Repositioning the Cooker Following Connection | 29 |
| The Grill / Glide-out Grill | 8 | Levelling the Cooker | 29 |
| The Ovens | 9 | Electrical Connection | 30 |
| Main Oven Light | 11 | Final Checks | 30 |
| Fascia Illumination (<i>Hi-LITE only</i>) | 11 | Final Fitting | 31 |
| Accessories | 12 | Customer Care | 31 |
| 3. The Clock | 13 | 9. Circuit Diagrams | 32 |
| 4. Cooking Tips | 18 | Hob | 32 |
| Using Your Induction Cooker | 18 | Fan Oven | 33 |
| Tips on Cooking with the Timer | 18 | Multifunction Oven | 35 |
| General Oven Tips | 18 | 10. Technical Data | 37 |
| 5. Cooking Table | 19 | Connection | 37 |
| 6. Cleaning Your Cooker | 20 | Dimensions | 37 |
| Hob | 20 | Ratings | 37 |
| Grills | 21 | Hotplate Efficiency Data | 38 |
| Control Panel and Doors | 21 | | |
| Ovens | 22 | | |
| The Tall Oven | 22 | | |
| Cleaning Table | 23 | | |

1. Before You Start...

Your cooker should give you many years of trouble-free cooking if installed and operated correctly. It is important that you read this section before you start, particularly if you have not used an induction cooker before.

⚠ CAUTION: This appliance is for cooking purposes only. It must not be used for other purposes, for example room heating. Using it for any other purpose could invalidate any warranty or liability claim. Besides invalidating claims this wastes fuel and may overheat the control knobs.

Installation and Maintenance

All installations must be in accordance with the relevant instructions in this booklet, with the relevant national and local regulations, and with the local electricity supply companies' requirements.

Make sure that the cooker is correctly wired and switched on.

The hob control display will flash for about 2 seconds during first power setting – this is normal.

Set the clock to make sure that the ovens are functional – see the relevant section in this manual.

It is recommended that this appliance is serviced annually.

Only a qualified service engineer should service the cooker, and only approved spare parts should be used.

Always allow the cooker to cool and then switch it off at the mains before cleaning or carrying out any maintenance work, unless specified otherwise in this guide.

Peculiar Smells

When you first use your cooker it may give off an odour. This should stop after use.

Before using your cooker for the first time, make sure that all packing materials have been removed and then, to dispel manufacturing odours, turn all the ovens to 200 °C and run for at least an hour.

Before using the grill for the first time you should also turn on the grill and run for 30 minutes with the grill pan in position, pushed fully back, and the grill door open.

Make sure the room is well ventilated to the outside air (see 'Ventilation' below). People with respiratory or allergy problems should vacate the area for this brief period.

Ventilation

⚠ CAUTION: The use of a cooking appliance results in the production of heat and moisture in the room in which it is installed. Therefore, make sure that the kitchen is well ventilated: keep natural ventilation holes open or install a powered cookerhood that vents outside. If you have several hotplates on, or use the cooker for a long time, open a window or turn on an extractor fan.

Personal Safety

Important information for pacemaker and implanted insulin pump users: The functions of this hob comply with the applicable European standards on electromagnetic interference. If you are fitted with a pacemaker or implanted insulin pump and are concerned please consult your doctor for medical advice.

⚠ DO NOT modify this appliance.

⚠ This appliance can be used by children aged from 8 years and above and persons with reduced physical, sensory or mental capabilities or lack of experience and knowledge if they have been given supervision or instruction concerning use of the appliance in a safe way and understand the hazards involved. Children shall not play with the appliance. Cleaning and user maintenance shall not be made by children without supervision.

⚠ WARNING: The appliance and its accessible parts become hot during use and will retain heat even after you have stopped cooking. Care should be taken to avoid touching heating elements. Children less than 8 years of age shall be kept away unless continuously supervised.

⚠ When the hob is in use keep magnetic items, such as credit and debit cards, floppy disk, calculators, etc. away.

⚠ CAUTION: A long term cooking process has to be supervised from time to time. A short term cooking process has to be supervised continuously.

⚠ Danger of fire: DO NOT store items on the cooking surfaces.

⚠ To avoid overheating, DO NOT install the cooker behind a decorative door.

⚠ Accessible parts will become hot during use and will retain heat even after you have stopped cooking. Keep babies and children away from the cooker and never wear loose-fitting or hanging clothes when using the appliance.

⚠ DO NOT use a steam cleaner on your cooker.

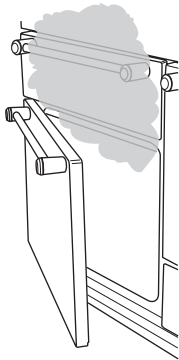
⚠ Always be certain that the controls are in the OFF position when the oven is not in use, and before attempting to clean the cooker.

⚠ Take care when touching the marked cooking areas of the hob.

⚠ When the ovens are on, DO NOT open doors for longer than necessary to insert and remove contents. The control knobs will become hot and this may cause cosmetic failure.

⚠ When using the grill, make sure that the grill pan is in position and pushed fully in, otherwise the control knobs may become very hot.

Fig. 1.1



- ⚠ **Always keep combustible materials, e.g. curtains, and flammable liquids a safe distance away from your cooker.**
- ⚠ **DO NOT spray aerosols in the vicinity of the cooker while it is on.**
- ⚠ **Cooking high moisture content foods can create a 'steam burst' when an oven door is opened (Fig. 1.1). When opening an oven stand well back and allow any steam to disperse.**
- ⚠ **Use dry oven gloves when applicable – using damp gloves might result in steam burns when you touch a hot surface. Do not use a towel or other bulky cloth in place of a glove – it might catch fire if brought into contact with a hot surface.**
- ⚠ **NEVER operate the cooker with wet hands.**
- ⚠ **DO NOT use aluminium foil to cover shelves, linings or the oven roof.**
- ⚠ **NEVER heat unopened food containers. Pressure build up may make the containers burst and cause injury.**
- ⚠ **DO NOT use unstable saucepans. Always make sure that you position the handles away from the edge of the hotplate.**
- ⚠ **Never leave the hotplate unattended at high heat settings. Pans boiling over can cause smoking, and greasy spills may catch on fire. Use a deep fat thermometer whenever possible to prevent fat overheating beyond the smoking point.**
- ⚠ **WARNING!**
Unattended cooking on a hob with fat or oil can be dangerous and may result in fire.
- ⚠ **NEVER leave a chip pan unattended. Always heat fat slowly, and watch as it heats. Deep fry pans should be only one third full of fat. Filling the pan too full of fat can cause spill over when food is added. If you use a combination of oils or fats in frying, stir them together before heating, or as the fats melt.**

Foods for frying should be as dry as possible. Frost on frozen foods or moisture on fresh foods can cause hot fat to bubble up and over the sides of the pan. Carefully watch for spills or overheating of foods when frying at high or medium high temperatures. Never try to move a pan of hot fat, especially a deep fat fryer. Wait until the fat is cool.

- ⚠ **Do not use the top of the flue (the slot along the back of the cooker) for warming plates, dishes, drying tea towels or softening butter.**
- ⚠ **DO NOT use water on grease fires and never pick up a flaming pan. Turn off the controls and then smother a flaming pan on a surface unit by covering the pan completely with a well fitting lid or baking tray. If available, use a multi-purpose dry chemical or foam-type fire extinguisher.**
- ⚠ **Take care that no water seeps into the appliance.**

⚠ This appliance is heavy so take care when moving it.

Hob Care

⚠ NEVER allow anyone to climb or stand on the hob.

⚠ NEVER cook directly on the hob surface (Fig. 1.2).

⚠ DO NOT use the hob surface as a cutting board.

⚠ DO NOT leave utensils, foodstuffs or combustible items on the hob when it is not in use (e.g. tea towels, frying pans containing oil).

⚠ DO NOT place plastic or aluminium foil, or plastic containers, on the hob.

⚠ DO NOT leave the hob zones switched on unless being used for cooking.

⚠ DO NOT stand or rest heavy objects on the hob. Although the ceramic surface is very strong, a sharp blow or sharp falling object (e.g. a salt cellar) might cause the surface to crack or break (Fig. 1.3).

⚠ Should a crack appear in the surface, disconnect the appliance immediately from the supply and arrange for its repair.

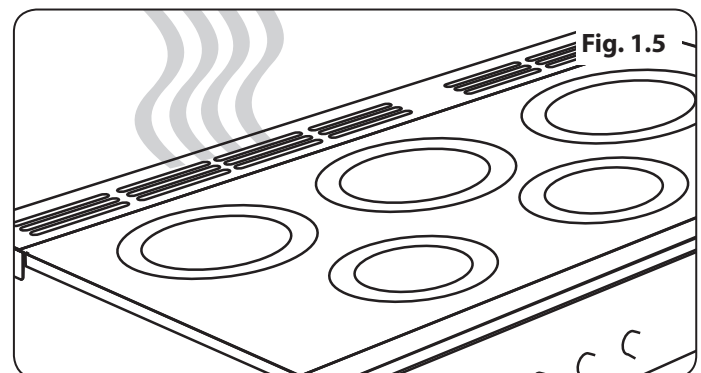
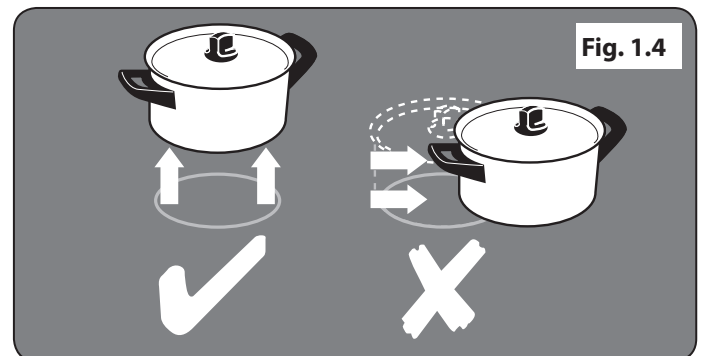
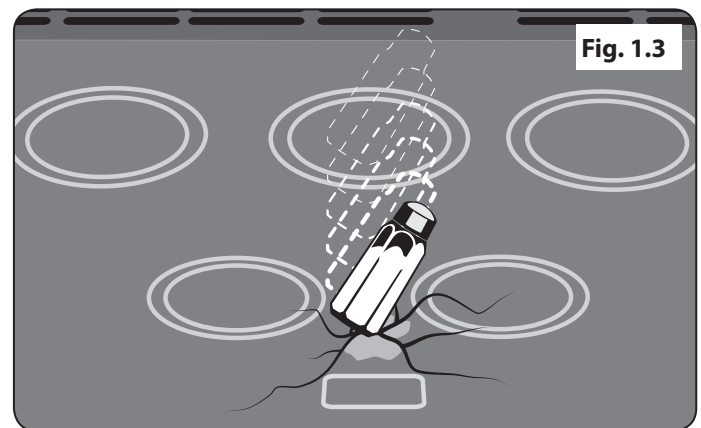
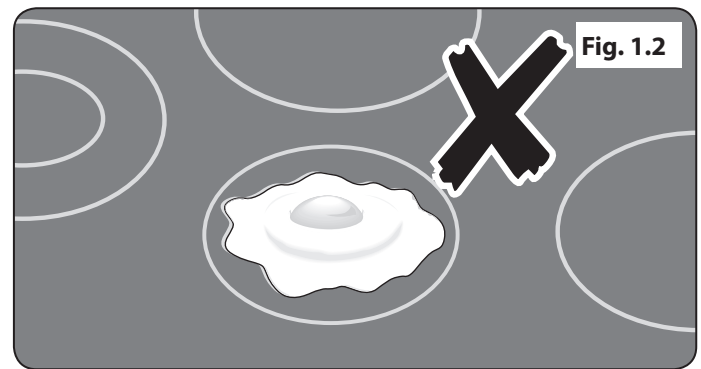
⚠ Always LIFT pans off the hob. Sliding pans may cause marks and scratches (Fig. 1.4). Always turn the control to the OFF position before removing a pan.

⚠ Take care when placing hot lids onto the hob surface. Lids that have been covering boiling or steaming foods can 'stick' to the ceramic glass. Should this occur, DO NOT attempt to lift the lid off the hotplate: this may damage the hob surface. Instead, carefully slide the lid to the edge of the hob surface and remove.

⚠ DO NOT place anything between the base of the pan and the hob surface (e.g. asbestos mats, aluminium foil, wok stand).

⚠ Take care NOT to place metallic objects such as knives, forks, spoons and lids on the hob surface since they can get hot.

⚠ The appliance is not intended to be operated by means of external timer or separated remote-control system.



Cooker Care

As steam can condense to water droplets on the cool outer trim of the oven, it may be necessary during cooking to wipe away any moisture with a soft cloth. This will also help to prevent soiling and discolouration of the oven exterior by cooking vapours (Fig. 1.5).

2. Cooker Overview

Fig. 2.1



Fig. 2.2

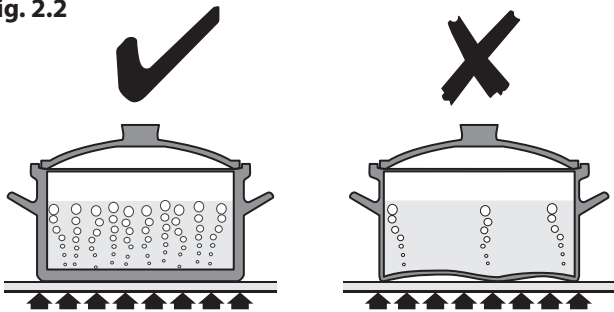
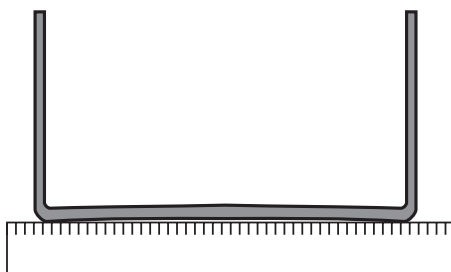


Fig. 2.3



The 90 induction cooker (**Fig. 2.1**) has the following features:

- A.** 5 induction cooking zones
- B.** A control panel
- C.** A separate grill or glide-out grill (*depending on model*)
- D.** Main programmable fan or multifunction oven (*depending on model*)
- E.** Tall fan oven

The Hob

Use only pans that are suitable for induction hobs. We recommend stainless steel, enamelled steel pans or cast iron pans with enamelled bases. Note that some stainless steel pans are not suitable for use with an induction hob so please check carefully before purchasing any cookware.

Pans made of copper, aluminium or ceramic are not suitable for use on an induction hob. *The kind of pan you use and the quantity of food affects the setting required. Higher settings are required for larger quantities of food.*

Pots and pans should have thick, smooth, flat bottoms (**Fig. 2.2**). This allows the maximum heat transfer from the hob to the pan, making cooking quick and energy efficient. Never use a round-bottomed wok, even with a stand.

The very best pans have bases that are very slightly curved up when cold (**Fig. 2.3**). If you hold a ruler across the bottom you will see a small gap in the middle. When they heat up the metal expands and lies flat on the cooking surface.

Make sure that the base of the pan is clean and dry to prevent any residue burning onto the hob panel. This also helps prevent scratches and deposits.


⚠ Take care when placing hot lids onto the hob surface. Lids that have been covering boiling or steaming foods can ‘stick’ to the ceramic glass. Should this occur, DO NOT attempt to lift the lid off the hotplate: this may damage the hob surface. Instead, slide the lid to the edge of the hob surface and remove.

Always use pans that are the same size as (or slightly larger than) the areas marked on the hob. Using a lid will help the contents boil more quickly.

⚠ Always take care before touching the surface, even when the hob is turned off. It may be hotter than you think!

The induction hob comprises of five cooking zones containing induction elements with different ratings and diameters (**Fig. 2.4**) each with a pan detector and residual heat indicator, and a hob control display.

The hob control display (**Fig. 2.5**) informs you of the following induction hob functions:

- \mathcal{L} Pan detector
- H* Residual heat indicator
- R* Automatic heat-up
-  Child lock
- L1/L2* Low temperature setting
- P* Power boost setting

Pan Detector, \mathcal{L}

IMPORTANT: After use, switch off the hob element by its control and DO NOT RELY on the pan detector.

If a cooking area is switched on and there is no pan in place or if the pan is too small for the cooking area, then no heat will be generated. The symbol [\mathcal{L}] will appear on the hob control display; this is the “pan-missing symbol”. Place a pan of the correct size on the cooking area and the [\mathcal{L}] symbol will disappear and cooking can begin. After 10 minutes without detecting a pan the cooking zone will switch off automatically.

Table 2.1 shows the minimum pan sizes recommended for each cooking zone.

Note: Using pans with a base diameter smaller than those recommended will result in a power reduction.

Residual Heat Indicator, *H*

After use, a cooking zone will remain hot for a while as heat dissipates. When a cooking zone is switched off the residual heat indicator symbol [*H*], will appear in the display. This shows that the cooking zone temperature is above 60°C and may still cause burns. Once the temperature has dropped to below 60°C the [*H*] will go out.

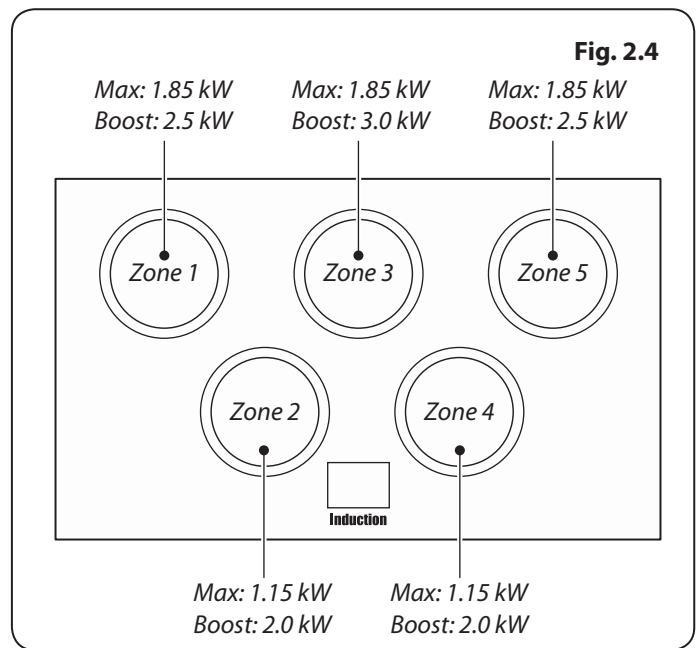


Fig. 2.4

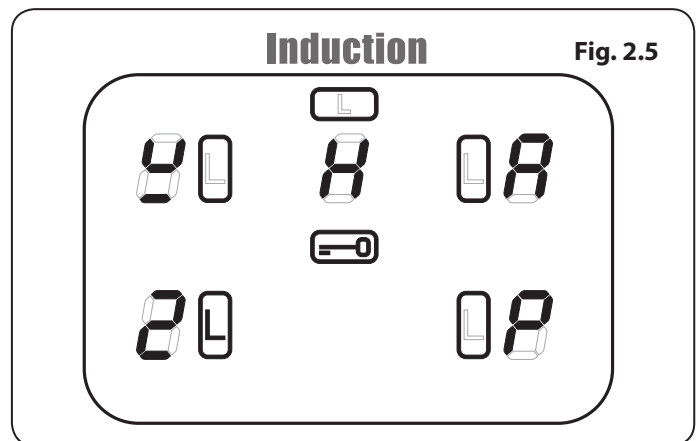


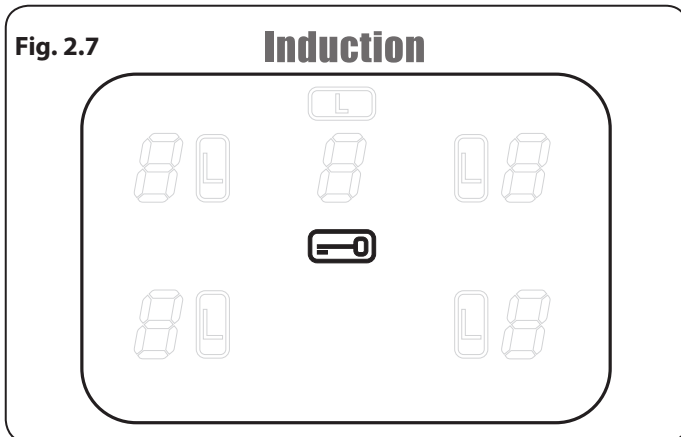
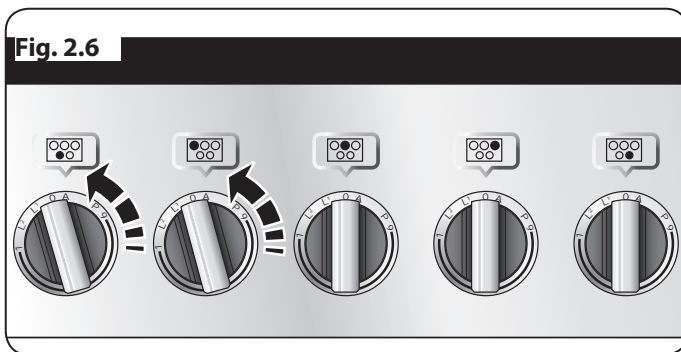
Fig. 2.5

| Cooking Zone | Minimum Pan Diameter (Pan Base) mm |
|--------------|------------------------------------|
| Front left | 140 |
| Rear left | 180 |
| Centre | 180 |
| Rear right | 180 |
| Front right | 140 |

Table 2.1

| Power level | Automatic heat-up time at 100% (min:sec) |
|-------------|--|
| 1 | 0:48 |
| 2 | 2:24 |
| 3 | 3:50 |
| 4 | 5:12 |
| 5 | 6:48 |
| 6 | 2:00 |
| 7 | 2:48 |
| 8 | 3:36 |
| 9 | |

Table 2.2



Automatic Heat-up, *A*

This function is available on all of the cooking zones. It allows rapid heating up of the element to bring the selected cooking zone up to temperature. Once the zone is at the required cooking temperature the power level will reduce automatically to the preset level.

The function is selected by turning the control knob to the 'A' position. Turn the control knob momentarily counter-clockwise from the zero position until the symbol [*A*] is shown on the hob control display.

Once the [*A*] is displayed, turn the control knob to the level of your choice (1 to 9). The pan will heat up at 100% power for a specified time before the power is reduced to the level selected.

When the Automatic Heat-up function is activated, the hob control display will flash alternately between the [*A*] setting and the chosen power level.

Once the Automatic Heat-up time has ended the hob display will stop flashing and will show the chosen power level.

The Automatic Heat-up function can be stopped by either turning the control knob back to the "0" power setting or turning the control knob to the "9" power setting.

For your guidance **Table 2.2** shows the time available at 100% power depending on the power level selected in the Automatic Heat-up mode.

Child Lock,

IMPORTANT: The child lock can only be activated when all the cooking zones are switched off.

To prevent the unwanted use by children, the hob can be locked.

To lock the hob, simultaneously turn the two left-hand controls counter-clockwise (**Fig. 2.6**) and hold until the symbol appears in the centre of the hob control display (**Fig. 2.7**).

Note: [*A*] will flash when locking the hob – this is normal.

Locking the hob will NOT affect the oven; it can still be used.

To unlock the hob, simultaneously turn the two left-hand controls counter-clockwise and hold until the symbol disappears from the centre of the hob control display.

Low Temperature Setting, *L1/L2*

Each cooking area is equipped with 2 low temperature settings:

- *L1* will maintain a temperature of about 40 °C – ideal for gently melting butter or chocolate.
- *L2* will maintain a temperature of about 90 °C – ideal for simmering (bring the pan to the boil and then select *L2* to keep soups, sauces, stews, etc at an optimal simmer).

The maximum time this setting can be used is 2 hours. To increase the heat, just turn the control knob to the required level. The maximum times for all other power levels are shown in **Table 2.3**.

Power Boost Setting, P

All of the induction cooking zones have Power Boost available, activated by turning the control knob clockwise until [P] is shown on the hob control display.

Power Boost allows additional power to be made available for each of the cooking zones. This is useful to bring a large pan of water to the boil quickly.

The Power Boost function operates for a maximum of 10 minutes on each zone, after which the power is automatically reduced to setting 9.

When using the Power Boost function, the cooking zones are linked.

Fig. 2.8 shows the hob layout. Zones A and B are linked together as are zones C, D and E.

This means that when using zone A on Power Boost and then switching zone B to Power Boost, the power to zone A will reduce slightly. The last zone switched to power boost always takes priority. Zones C, D and E work in the same way.

⚠ This is a built-in safety device.

Deactivate the Power Boost function by turning the control knob to a lower setting.

Overheat Function

This function identifies when the temperature of the pan rises rapidly and works to maintain a safe level of pan temperature. It should not interfere with normal cooking.

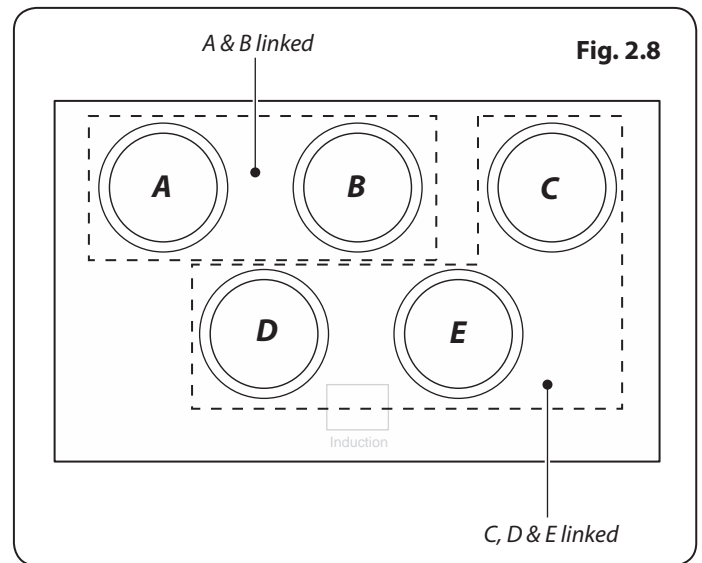
Cookware with bases that become distorted (**Fig. 2.2**) when heated may interfere with the operation of the Overheat Function. This may result in damage to your cookware or Induction Glass Hob.

⚠ Please remember not to leave the hob unattended. Care should be taken to not allow your cookware to boil dry. Damage to your cookware and Induction Glass Hob may result.

Please read and follow the manufacturers' instructions carefully before using cookware on your induction hob.

| Power Level | Maximum Operating Time |
|------------------|------------------------|
| <i>L1 and L2</i> | 2 hours |
| 1 | 6 hours |
| 2 | 6 hours |
| 3 | 5 hours |
| 4 | 5 hours |
| 5 | 4 hours |
| 6 | 1.5 hours |
| 7 | 1.5 hours |
| 8 | 1.5 hours |
| 9 | 1.5 hours |
| Power Boost | 10 minutes |

Table 2.3



The Grill / Glide-out Grill

Open the door and, using the handle, pull the grill pan (Fig. 2.9) or carriage (Fig. 2.10) forward.

The grill has two elements that allow either the whole area of the pan to be heated or just the right-hand half.

Adjust the heat to suit by turning the knob. To heat the whole grill, turn the knob clockwise (Fig. 2.11).

To heat the right-hand half, turn the knob counter-clockwise. The neon indicator light by the grill control will come on.

For best results, leave the grill pan in the grill chamber and preheat the appropriate part(s) of the grill for two minutes. The grill trivet can be removed and the food placed on it while you are waiting for the grill to preheat.

⚠ DO NOT leave the grill on for more than a few moments, without the grill pan underneath it, otherwise the knobs may become hot.

Once the grill has preheated, take the grill pan out again and put the trivet back in place with the food on it. Slide the grill pan or carriage back into the grill chamber. Make sure that it is pushed right in.

⚠ Accessible parts may be hot when the grill is in use. Young children should be kept away.

The grill pan trivet can be turned over to give two grilling positions (Fig. 2.12).

⚠ Never close the grill door when the grill is on.

Fig. 2.9

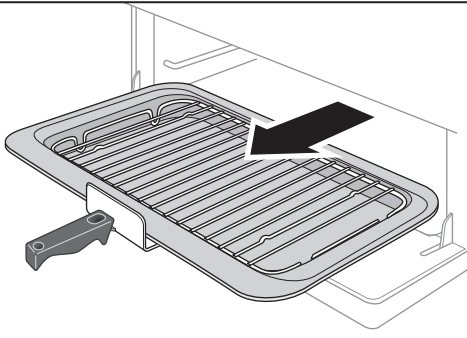


Fig. 2.10

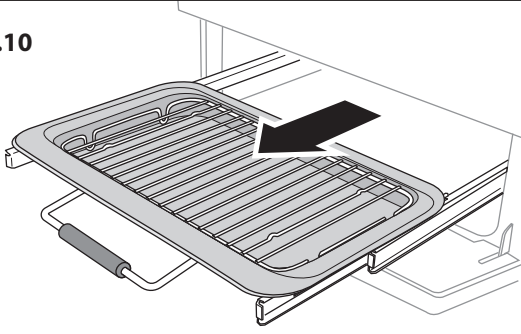


Fig. 2.11

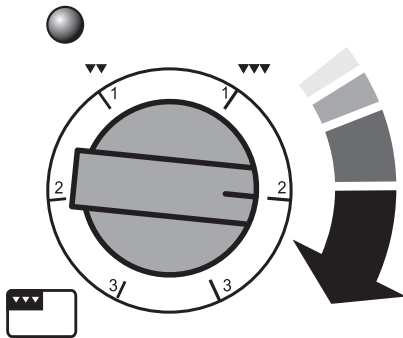
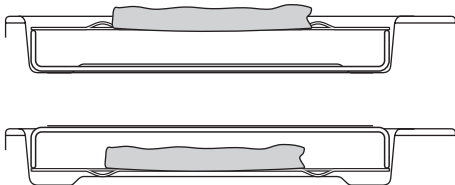


Fig. 2.12



The Ovens

The clock must be set to the time of day before the ovens will work. See the following section on 'The Clock' for instructions on setting the time of day.

References to 'left-hand' and 'right-hand' ovens apply as viewed from the front of the appliance.

The left-hand oven is either a fan oven (Fig. 2.13) or a multifunction oven (Fig.2-14), depending on model.

The right-hand tall oven is a fan oven (Fig. 2.15).

Fan ovens circulate hot air continuously, which means faster, more even cooking. The recommended cooking temperatures for a fan oven are generally lower than those for a non-fan oven.

Multifunction ovens have an oven fan and oven fan element, as well as two extra heating elements. One element is in the top of the oven and the second is under the oven base. Take care to avoid touching the top element and element deflector when placing or removing items from the oven.

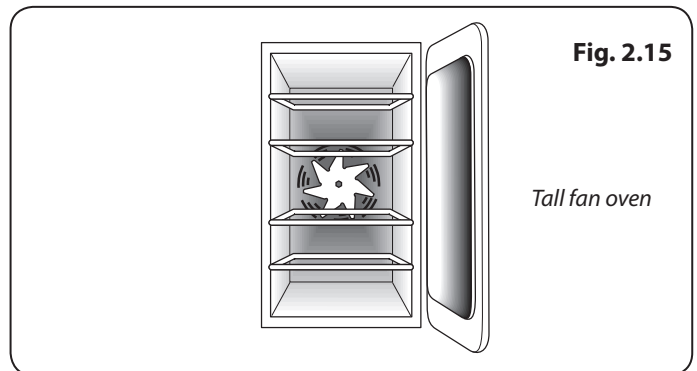
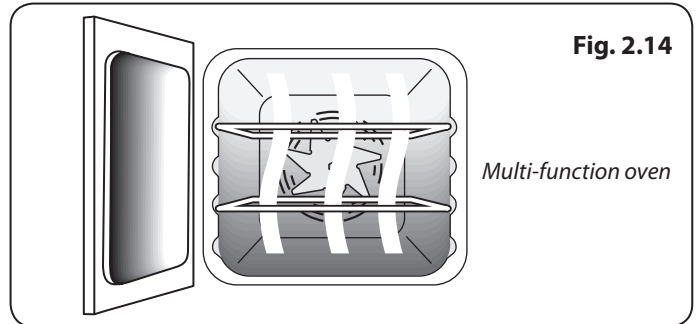
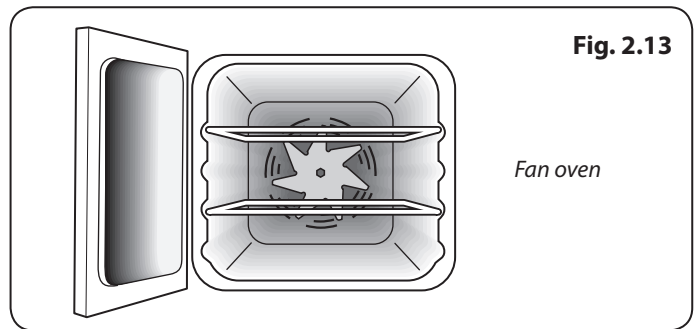
The multifunction oven has 3 main cooking functions: **fan**, **fan assisted** and **conventional cooking**. These functions should be used to complete most of your cooking.

The **browning element** and **base heat** can be used in the latter part of the cooking process to fine tune the results to your particular requirements.

Use **fanned grilling** for all your grilling needs and **defrost** to safely thaw small items of frozen food.

Table 2.4 gives a summary of the multifunction modes.

The multifunction oven has many varied uses. We suggest you keep a careful eye on your cooking until you are familiar with each function. Remember, not all functions will be suitable for all food types.



| Function | Use |
|--------------------------|---|
| Defrost | To thaw small items in the oven without heat |
| Fan oven | A full cooking function, even heat throughout, great for baking |
| Fanned grilling | Grilling meat and fish with the door closed |
| Fan assisted | A full cooking function good for roasting and baking |
| Conventional oven | A full cooking function for roasting and baking in the lower half of the oven |
| Browning element | To brown and crisp cheese topped dishes |
| Base heat | To crisp up the bases of quiche, pizza or pastry |

Table 2.4

Multifunction Oven Functions

Rapid Response (Classic Deluxe & Professional Deluxe)



The Rapid Response setting enables you to preheat the oven faster than normal. It uses the fan oven element with additional heat from one of the elements in the top of the oven. Fan ovens heat up quickly; but the Rapid Response feature speeds this process up enabling you to start cooking sooner.

To use the Rapid Response feature, turn the function control knob to **R** and set the temperature required. The light on the control panel next to the function control will come on.

When the required temperature is reached the top element will switch off and the light will go out.

The oven temperature is then maintained by the fan oven element and fan.

Should you choose to place food into the cold oven prior to cooking while using the Rapid Response function, make sure that cakes, etc are not positioned too near the top of the oven.

Fan Oven



This function operates the fan and the heating element around it. An even heat is produced throughout the oven, allowing you to cook large amounts quickly.

Fan oven cooking is particularly suitable for baking on several shelves at one time and is a good 'all-round' function. It may be necessary to reduce the temperature by approximately 10°C for recipes previously cooked in a conventional oven.

If you wish to preheat the oven, wait until the indicator light has gone out before inserting the food.

Fanned Grilling



This function operates the fan while the top element is on. It produces a more even, less fierce heat than a conventional grill. For best results, place the food to be grilled, on a trivet over a roasting tin, which should be smaller than a conventional grill pan. This allows greater air circulation. Thick pieces of meat or fish are ideal for grilling in this way, as the circulated air reduces the fierceness of the heat from the grill.

The oven door should be kept closed while grilling is in progress, so saving energy.

You will also find that the food needs to be watched and turned less than for normal grilling. Preheat this function before cooking.

For best results we recommend that the grill pan is not located on the uppermost shelf.

Fan Assisted Oven



This function operates the fan, circulating air heated by the elements at the top and the base of the oven. The combination of fan and conventional cooking (top and base heat) makes this function ideal for cooking large items that need thorough cooking, such as a large meat roast.

It is also possible to bake on two shelves at one time, although they will need to be swapped over during the cooking time, as the heat at the top of the oven is greater than at the base, when using this function.

This is a fast intensive form of cooking; keep an eye on the food cooking until you have become accustomed to this function.

Conventional Oven (Top and Base Heat)



This function combines the heat from the top and base elements. It is particularly suitable for roasting and baking pastry, cakes and biscuits.

Food cooked on the top shelf will brown and crisp faster than on the lower shelf, because the heat is greater at the top of the oven than at the base, as in 'Fan Assisted Oven' function. Similar items being cooked will need to be swapped around for even cooking. This means that foods requiring different temperatures can be cooked together, using the cooler zone in the lower half of the oven and hotter area to the top.

The exposed top element may cook some foods too quickly, so we recommend that the food be positioned in the lower half of the oven to cook. The oven temperature may also need to be lowered.

Browning Element



This function uses the element in the top of the oven only. It is a useful function for the browning or finishing of pasta dishes, vegetables in sauce, shepherds pie and lasagne, the item to be browned being already hot before switching to the top element.

Base Heat



This function uses the base element only. It will crisp up your pizza or quiche base or finish off cooking the base of a pastry case on a lower shelf. It is also a gentle heat, good for slow cooking of casseroles in the middle of the oven or for plate warming.

The Browning and Base Heat functions are useful additions to your oven, giving you flexibility to finish off items to perfection.

Defrost



This function operates the fan to circulate cold air only. Make sure the temperature control is at 0°C and that no heat is applied. This enables small items such as desserts, cream cakes and pieces of meat, fish and poultry to be defrosted.

Defrosting in this way speeds up the process and protects the food from flies. Pieces of meat, fish and poultry should be placed on a shelf, over a tray to catch any drips. Be sure to wash the shelf and tray after defrosting.

Defrost with the oven door closed.

Large items, such as whole chickens and joints should not be defrosted in this way. We recommend this be carried out in a refrigerator.

Defrosting should not be carried out in a warm oven or when an adjoining oven is in use or still warm.

Make sure that dairy foods, meat and poultry are completely defrosted before cooking.

Operating the Ovens

Multifunction Ovens

The multifunction oven has two controls: a function selector and a temperature setting knob (**Fig. 2.16**).

Turn the function selector control to a cooking function. Turn the oven temperature knob to the temperature required (**Fig. 2.17**).

The oven heating light will glow until the oven has reached the temperature you selected. It will then cycle on and off during cooking.

When cooking foods with high water content, there may be some steam visible at the grille at the rear of the hotplate. This is perfectly normal.

Fan Ovens

Turn the oven knob to the desired temperature (**Fig. 2.17**).

The oven indicator light will glow until the oven has reached the temperature selected. It will then cycle on and off during cooking.

Main Oven Light

Press the button to turn the light on (**Fig. 2.18**).

If the oven light fails, turn off the power supply before changing the bulb. See the 'Troubleshooting' section for details on how to change the bulb.

Fascia Illumination (Hi-LITE only)

To turn on the fascia illumination panel simply push the button in (**Fig. 2.19**). To turn this feature off, push the button once more.

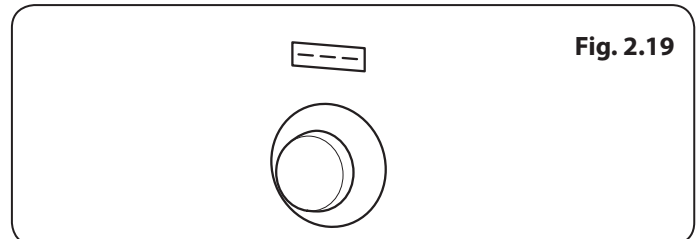
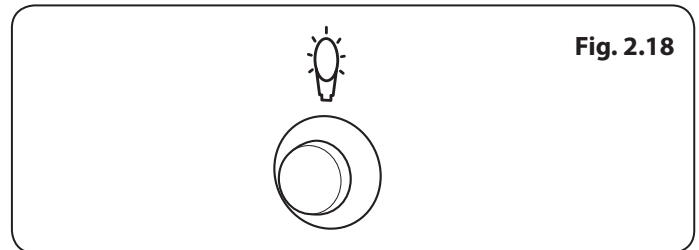
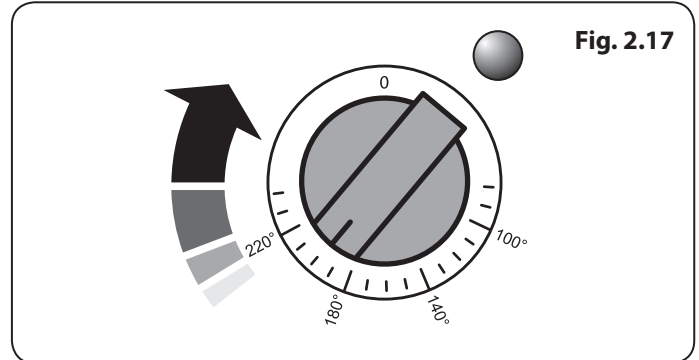
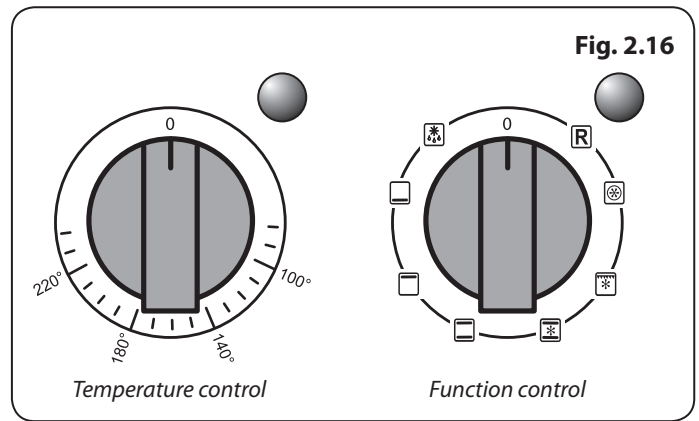


Fig. 2.20

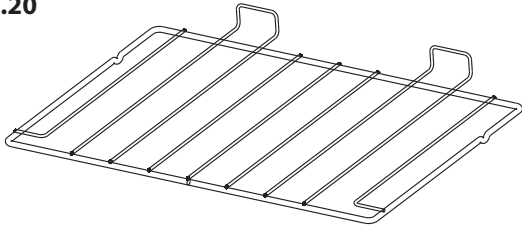


Fig. 2.21

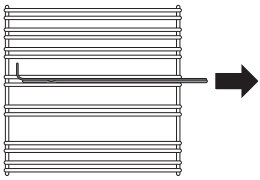


Fig. 2.22

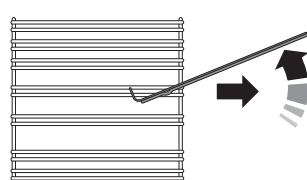


Fig. 2.23

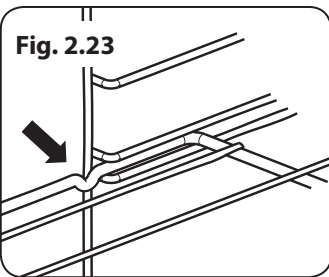


Fig. 2.24

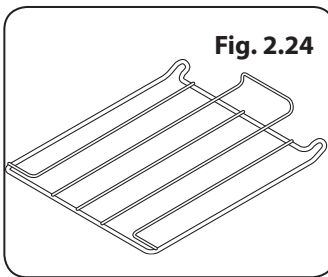


Fig. 2.25

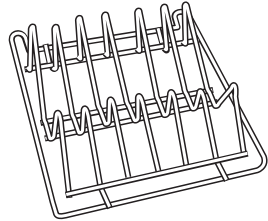


Fig. 2.26

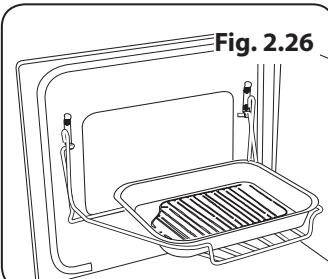


Fig. 2.27

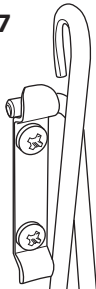
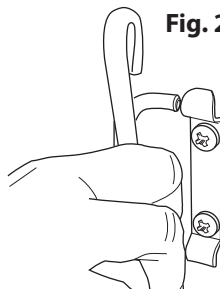


Fig. 2.28



Accessories

Oven Shelves – Left-hand (Main) Oven

The oven shelves (**Fig. 2.20**) are retained when pulled forward but can be easily removed and refitted.

Pull the shelf forward until the back of the shelf is stopped by the shelf stop bumps in the oven sides (**Fig. 2.21**).

Lift up the front of the shelf so the back of the shelf will pass under the shelf stop and then pull the shelf forward (**Fig. 2.22**).

To refit the shelf, line up the shelf with a groove in the oven side and push the shelf back until the ends hit the shelf stop. Lift up the front so the shelf ends clear the shelf stops, and then lower the front so that the shelf is level and push it fully back (**Fig. 2.23**).

Oven Shelves – Right-hand (Tall) Oven

The tall oven is supplied with four flat cooking shelves (**Fig. 2.24**) and a plate warming shelf (**Fig. 2.25**).

Please note: The *Hi-LITE* does not have a plate warming shelf, but is supplied with three flat cooking shelves.

When using the tall oven, you can cook on all four shelves at the same time, but make sure that they are well spaced out to allow the hot air to circulate.

The Handyrack (Main Oven)

The Handyrack (**Fig. 2.26**) fits to the left-hand oven door only. Food cooking on it is easy to attend to, because it is accessible when the door is open.

The maximum weight that can be held by the Handyrack is 5.5 kg (12 lb). It should only be used with the supplied roasting tin, which is designed to fit the Handyrack. Any other vessel could be unstable.

It can be fitted at two different heights. One of the oven shelves must be removed and the other positioned to suit.

When the Handyrack is used in its highest position, other dishes can be cooked on the bottom shelf position or base of the oven.

When the Handyrack is used in its lowest position, other dishes can be cooked on the second shelf position or base of the oven.

To fit the Handyrack, locate one side of it on the door bracket (**Fig. 2.27**), then spring the other side out to clip it onto the other bracket (**Fig. 2.28**).

3. The Clock

The clock must be set to the time of day before the oven will work.

The 2-button Clock

Setting the Clock

1. Once the cooker is connected and switched on, the display will start to flash.
2. To set the time, turn the **Timer (A)** knob to the **Clock (C)** setting and back to the **Manual (D)** position. The centre dot will flash indicating the time can be set. Turn the **Adjusting (B)** knob either clockwise or counter-clockwise (**Fig. 3.1**) to set the time.
3. Once you have set the time, allow the centre dot to stop flashing, the time is now set.

Setting the Minute Minder

A **Minute Minder (E)** is a feature that can be set for a number of minutes and sounds an alarm once the specified amount of time has elapsed.

1. Turn the **Timer (A)** knob to the **Minute Minder (E)** setting – it should click into position (**Fig. 3.2**).
2. Turn the **Adjusting (B)** knob to set the amount of time required. Minimum time 1 minute (**Fig. 3.3**).
3. Turn the **Timer (A)** knob back to the **Manual (D)** setting to see the current time and the 'Bell' symbol on the display.

Cancel the Timer Alarm

Once the specified time has elapsed it will emit an alarm. There are two ways to cancel the alarm:

1. Turn the **Adjusting (B)** knob counter-clockwise or clockwise (**Fig. 3.4**).
2. Turn the **Timer (A)** knob to the **Clock (C)** or the **Minute Minder (E)** setting, and back to the **Manual (D)** mode, to return to normal cooking (**Fig. 3.4**).

NOTE

If the alarm is not manually switched off it will stop after approximately 2 minutes.

When the Minute Minder is active the clock will not dim between the hours of 10 pm and 6 am

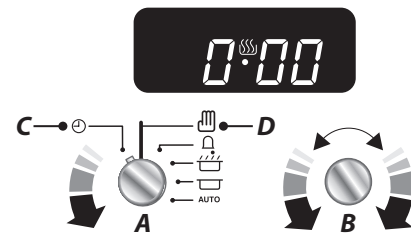


Fig. 3.1

A – Timer knob, B – Adjusting knob

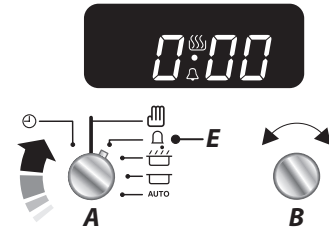


Fig. 3.2

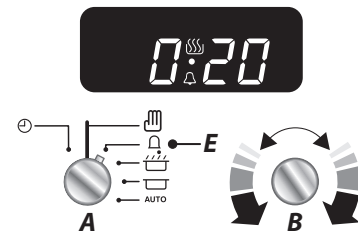


Fig. 3.3

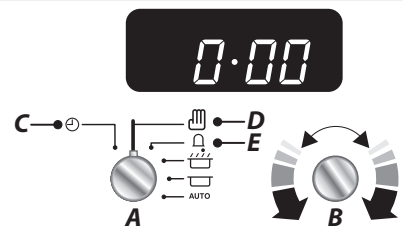


Fig. 3.4

To Stop the Oven at a Specific Time of Day

You have set the required temperature and function mode and you would like the oven to automatically stop.

TOP TIP

Make a note of the current time so you do not forget.

1. Turn the **Timer (A)** knob to the **Stop Time (G)** setting. 'AUTO' will show in the display (**Fig. 3.5**).
2. Turn the **Adjusting (B)** knob to the amount of cooking time required. The display will show the current time plus the additional cooking time you have set (**Fig. 3.6**).
3. Turn the **Timer (A)** knob to the **Auto (H)** setting. The display will show the current time, the cooking symbol and the word 'AUTO' (**Fig. 3.7**).
4. Once the specified time has elapsed it will emit an alarm and the oven will stop working. The cook pot symbol on the display will disappear and the word 'AUTO' will flash (**Fig. 3.8**).
5. When you return, turn the **Timer (A)** knob to the **Manual (D)** setting to return to manual cooking (**Fig. 3.8**).

TOP TIP

You can check how much time you have left, to the programmed stop time, by turning **Timer (A)** from **Auto (H)** to **Stop Time (G)** and back to **Auto (H)**.

Fig. 3.5

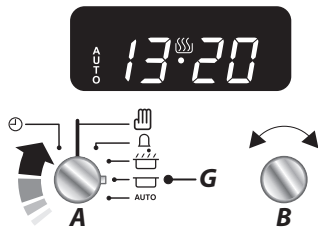


Fig. 3.6

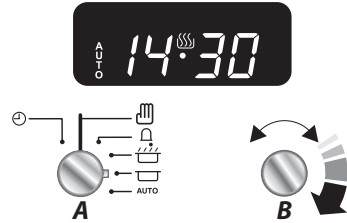


Fig. 3.7

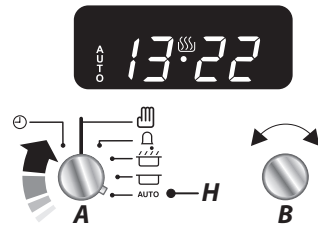
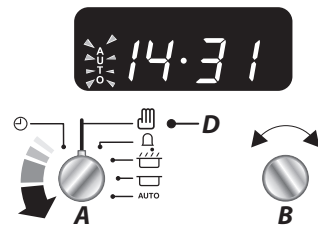


Fig. 3.8



To Start and Stop the Oven Automatically

The timer allows you to automatically start and stop by a combination of the length of the cooking time and the stop time. Giving you the flexibility to cook casseroles etc while you are out. You cannot set the actual start time.

1. Turn the **Timer (A)** knob to the **Cook Time (F)** setting. Turn the **Adjusting (B)** knob clockwise to set the length of the cooking time required (**Fig. 3.9**).
2. Turn the **Timer (A)** knob to the **Stop Time (G)** setting (**Fig. 3.10**). The display will show the current time of day plus the 'cook time' you just set.
3. Turn the **Adjusting (B)** knob to set the time of day you want the oven to stop cooking (**Fig. 3.11**).
4. Set the oven to the required cooking temperature and function mode.
5. Turn the **Timer (A)** knob to the **Auto (H)** setting (**Fig. 3.12**). If the display shows the current time and the word 'AUTO' the oven is set to turn on and off.
6. When the program starts the oven, the cooking symbol will appear on the display. Once the specified time has elapsed it will emit an alarm and the Multifunction Oven will stop working. The 'Cooking' symbol on the display will disappear and the word 'AUTO' will flash (**Fig. 3.13**).
7. Once the specified time has elapsed it will emit an alarm. There are two ways to cancel the alarm, refer to "**Cancel the Timer Alarm**" on page 13
 - The 'cook period', which is the length of time you want the oven to cook for.
 - The 'stop time', which is the time of day you want the oven to stop cooking.

Reset to Manual Cooking

To cancel any automatic settings turn the **Timer (A)** knob to the **Manual (D)** setting and release (**Fig. 3.14**).

NOTE: Whilst this operation cancels all automatic program settings, it does not cancel the minute minder.

Beeper Tone Adjustment

The beeper tone can be adjusted to three different levels.

Turn the **Timer (A)** knob to the **Clock (C)** setting. Turn the **Adjusting (B)** knob counter clockwise until the tone bars are displayed (**Fig. 3.15**).

To adjust the tone of the alarm, release the **Adjusting (B)** knob and then turn counter clockwise again (**Fig. 3.16**). The tone of the alarm will change. Repeat these steps until the desired alarm tone is set.

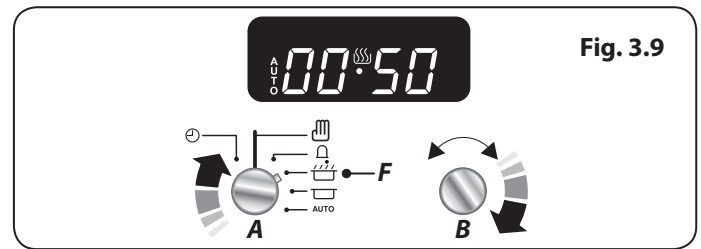


Fig. 3.9

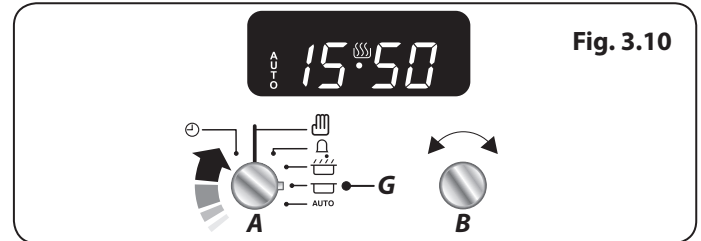


Fig. 3.10

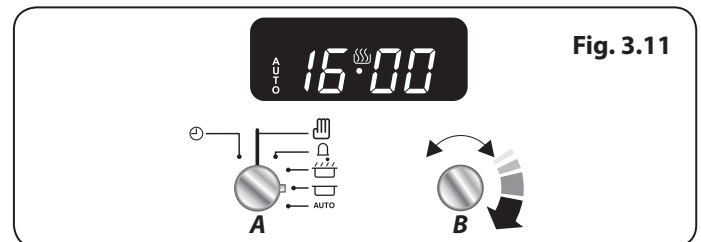


Fig. 3.11

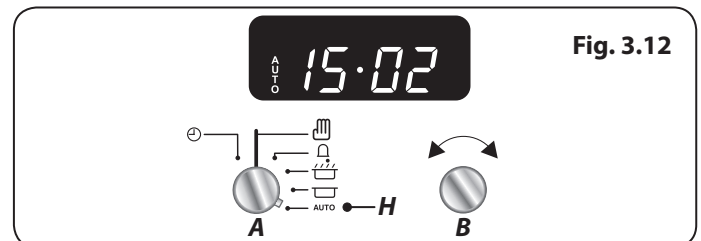


Fig. 3.12

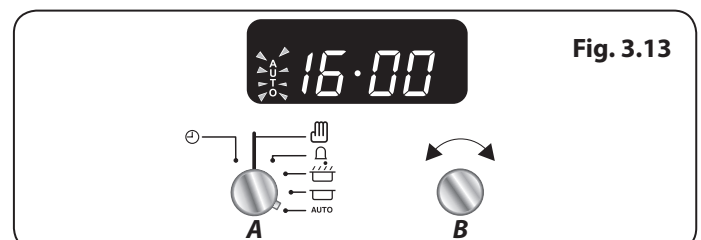


Fig. 3.13

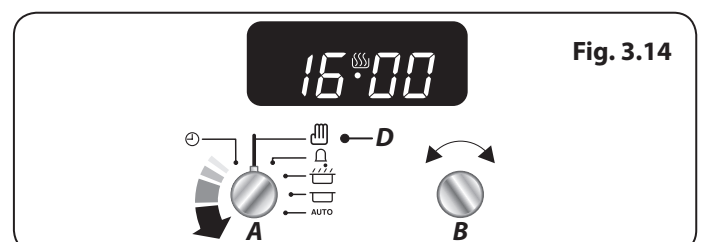


Fig. 3.14

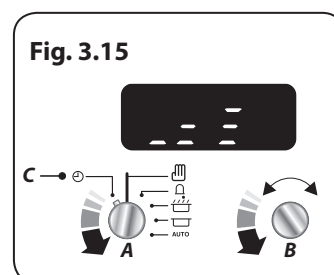


Fig. 3.15

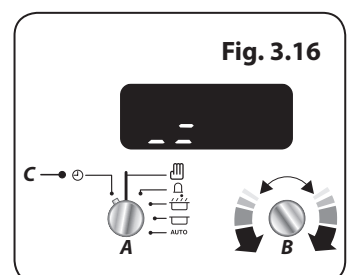
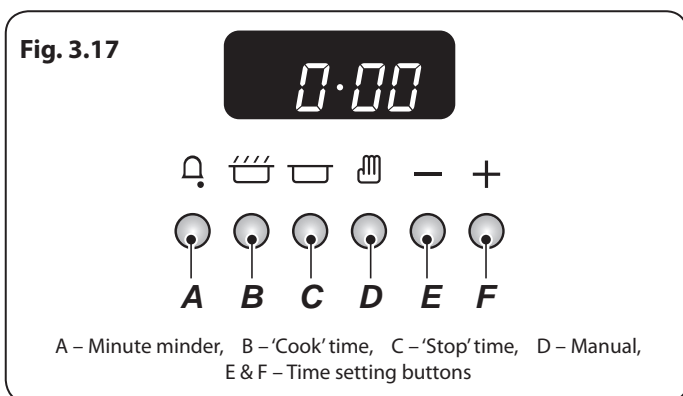


Fig. 3.16



The 6-button Clock

You can use the timer (**Fig. 3.17**) to turn the oven(s) on and off. The clock must be set to the time of day before the oven(s) will work.

Table 3.1 describes the symbols shown on the digital display.

Setting the Time of Day

When the cooker is first connected to the mains, or if there has been a prolonged power interruption, the clock display flashes [0.00] and [AUTO].

During the time setting process the centre dot will flash. When the process is complete the dot will stop flashing and the [☰] symbol will be displayed.

The time of day can be set in two ways:

- Press and hold the [☰] button. Now press the [+] or [-] buttons to increase or decrease the time (**Fig. 3.18**). Holding the [+] or [-] buttons for more than 2 seconds will advance / decrease the set time quickly. Release the buttons to set the time of day.
- Press and hold both the [☰] and [☒] buttons down (**Fig. 3.19**). Now press the [+] button (or [-] button) until the correct time shows.

DO NOT forget that it is a 24-hour clock.

If you need to reset the clock/cooker, turn off the power and wait several minutes, then start again.

Automatic Dimming

Providing there are no automatic programs set, and the minute minder is not active, your clock will automatically dim during the hours between 22:00 and 06:00.

Minute Minder

Press and hold the [🔔] button (**Fig. 3.20**), and then press the [+] button (or [-] button) until the length of time you want to cook for is shown (**Fig. 3.21**).

You can check the time remaining by pressing [🔔]. When the beeper sounds cancel it by pressing any button.

To reset the minute minder time; simultaneously press the [+] and [-] buttons.

NOTE: This will clear all automatic programs.

- The 'cook period', which is the length of time you want the oven to cook for.
- The 'stop time', which is the time of day you want the oven to stop cooking.

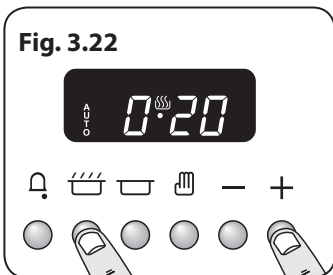
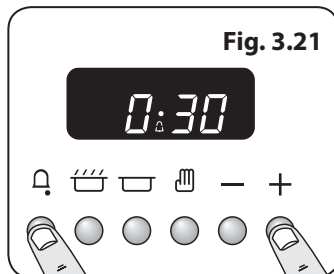
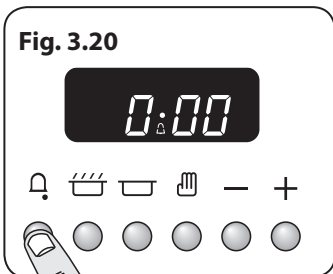
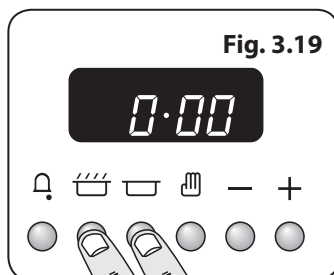
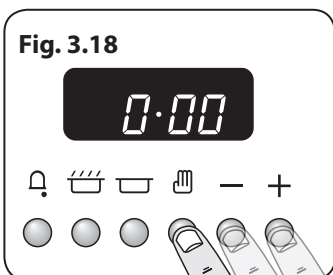
Setting a Cook Duration

Press and hold the [☰] button and set the required 'cook period' by pressing the [+] button (or [-] button) (**Fig. 3.22**). The clock will now control the cook period of your oven(s). The [☰] symbol and [AUTO] will be displayed.

Once the 'cook period' is reached, the beeper sounds and the [AUTO] symbol flashes. Turn the oven control knob to 0 and

| Symbol | Function | Notes |
|--------|--|--|
| [🔔] | Minute Minder is active | |
| [☰] | Oven(s) can be operated | If the 'cook' [☰] symbol is not displayed the program has either: ended and the oven(s) are non-operational the oven(s) are being controlled by an automatic program that has not started |
| [AUTO] | Oven(s) are being controlled in semi-automatic or automatic mode | |
| [P] | Self clean (pyrolytic) mode has been enabled | Your cooker may not have this pyrolytic function |
| [dot] | Flashes during setting the time of day | |

Table 3.1



then press any button to stop the beep. Press [🔔] to return to manual cooking.

Setting a Cook End Time

Press and hold the 'stop time' [🕒] button (Fig. 3.23) and then press the [+] button (or [-] button) until the required 'stop time' shows (Fig. 3.24). The [🔔] symbol and [AUTO] will show in the display.

Once the 'stop time' is reached, the beeper sounds and the [AUTO] symbol flashes. Turn the oven control knob to 0 and then press any button to stop the beep. Press [🔔] to return to manual cooking.

To Start and Stop the Ovens Automatically

Before you set the clock for automatic operation you must have two numbers clearly in mind – the 'cook period' and the 'stop time'.

NOTE: You cannot set a start time directly – this is set automatically by setting the 'cook period' and the 'stop time'.

Press and hold the [🔔] button (Fig. 3.25) and then press the [+] button (or [-] button) until the required 'cook period' shows (Fig. 3.26).

Now press and hold the [🕒] button (Fig. 3.27) and then press the [+] button (or [-] button) until the required 'stop time' shows (Fig. 3.28). Release the buttons.

[AUTO] will now show in the display (Fig. 3.29).

Set the oven(s) to the required temperature. When cooking is finished [AUTO] will flash and the beeper will sound. Turn the oven knob(s) to the OFF position first, and then press any button once to stop the beep; press the [🔔] button to return to manual cooking.

If you are out, do not worry about the beeper going off, it stops after a while. When you return, turn the oven knob(s) to 0 first, and then press [🔔] to return to manual cooking.

AUTO is Showing, You Want to Reset to Manual Cooking

To return to manual cooking mode from an Automatic setting, simultaneously press the [+] and [-] key, this will clear the automatic program and return to manual mode.

Please note that this action will also clear the [Minute Minder] setting.

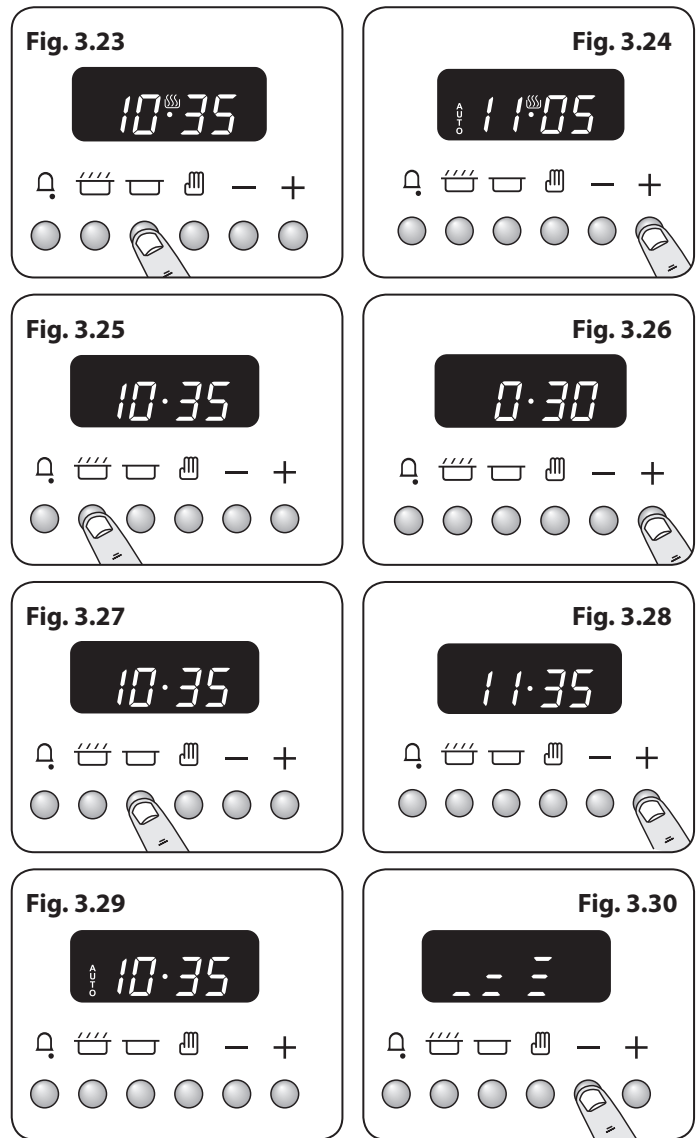
Beeper Tone Adjustment.

The beeper tone can be adjusted to three different levels.

Whilst in the time of day mode, press and hold the [-] button for a period until the display shows the Tone Bars (Fig. 3.30). Release the [-] button and immediately press again, this will adjust the tone down by a bar. Continue the process until a comfortable, tone is reached.

Please note, during a power reset the clock will remember the last tone set.

For an overview of the functions refer to Table 3.1.



| Symbol | Function | Notes |
|------------------|--|---|
| [🔔] | Sets the Minute Minder | Used with the [+] and [-] buttons |
| [🔥] | Sets the duration / cook period | Used with the [+] and [-] buttons |
| [🕒] | Sets the end / stop cook time | Used with the [+] and [-] buttons |
| [🔔] or [🔥] & [🕒] | Allows the time of day to be set when 'AUTO' is not active | Used with the [+] and [-] buttons |
| [🔔] | Resets the cooking control to manual | |
| [-] | Decreases time interval | Holding this button down allows a quick set |
| [+] | Increases time interval | Holding this button down allows a quick set |
| [+] & [-] | Clears all 'AUTO' and minute minder programs | |

Table 3.1

4. Cooking Tips

Using Your Induction Cooker




If you have not used an induction cooker before please be aware of the following:

- Make sure that the pans you have or buy are suitable for use on the induction hob. Stainless steel, enamelled steel or cast iron is ideal. Double check before you buy pans – they must have bases that would attract a magnet.
- Allow time to get used to induction cooking; it is fast and powerful as well as being gentle. When simmering, you may notice that liquids appear to stop bubbling and then start again almost immediately. This is perfectly normal.
- You may notice a faint vibrating sound coming from the pans when using the induction hob. Again, this is perfectly normal and will depend upon the type and style of pans you are using.
- The induction heating elements will phase on and off when cooking. Although an active cooking zone may appear to switch on and off, a constant heat is still being supplied to the base of the pan – this is completely normal.

Tips on Cooking with the Timer

If you want to cook more than one dish, choose dishes that require approximately the same cooking time. However, dishes can be 'slowed down' slightly by using small containers and covering them with aluminium foil, or 'speeded up' slightly by cooking smaller quantities or placing them in larger containers.

Very perishable foods such as pork or fish should be avoided if a long delay period is planned, especially in hot weather.

-  **DO NOT place warm food in the oven to be timed.**
-  **DO NOT use a timed oven that is already warm.**
-  **DO NOT use the timed oven if the adjoining oven is already warm.**

Whole poultry must be thoroughly defrosted before being placed in the oven. Check that meat and poultry are fully cooked before serving.

General Oven Tips

The wire shelves should always be pushed firmly to the back of the oven.

Baking trays with food cooking on them should be placed level with the front edge of the oven's wire shelves. Other containers should be placed centrally. Keep all trays and containers away from the back of the oven, as overbrowning of the food may occur.

For even browning, the maximum recommended size of a baking tray is 340 mm (13½") by 340 mm (13½") in the main oven and 232 mm (9¼") and 321 mm (12½") in the tall oven.

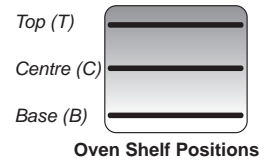
When the oven is on, DO NOT leave the door open for longer than necessary, otherwise the knobs may get very hot.

- Always leave a "finger's width" between dishes on the same shelf. This allows the heat to circulate freely around them.
- To reduce fat splashing when you add vegetables to hot fat around a roast, dry them thoroughly or brush lightly with cooking oil.
- Where dishes may boil and spill over during cooking, place them on a baking tray.
- The 'Cook & Clean' oven liners (see 'Cleaning Your Cooker') work better when fat splashes are avoided. Cover meat when cooking.
- Sufficient heat rises out of the oven while cooking to warm plates in the grill compartment.
- If you want to brown the base of a pastry dish, preheat the baking tray for 15 minutes before placing the dish in the centre of the tray.

5. Cooking Table

The oven control settings and cooking times given in the table below are intended to be used **AS A GUIDE ONLY**. Individual tastes may require the temperature to be altered to provide a preferred result.

Food is cooked at lower temperature in a fan oven than in a conventional oven. When using recipes, reduce the fan oven temperature by 10°C and the cooking time by 5-10 minutes. The temperature in the fan oven does not vary with height in the oven so you can use any shelf.

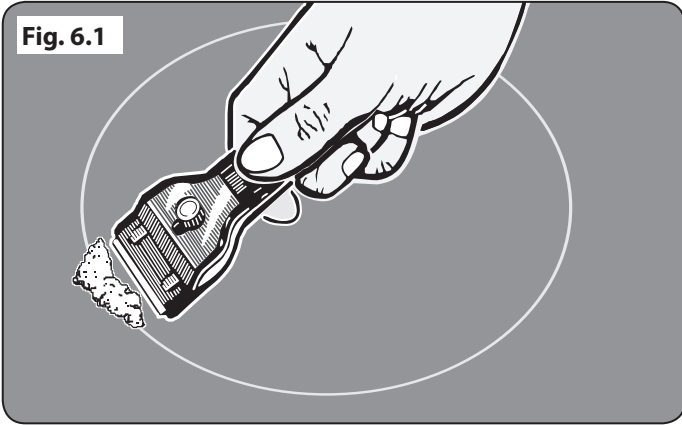


T - Top; C - Centre; B - Base

| Food | Conventional Oven | Fan Oven | Approximate Cooking Time | |
|--|------------------------------------|-------------------|---|--|
| | Temperature °C (Shelf Position) | Temperature °C | | |
| Meat | | | | |
| Beef (no bone) | 160 (C) | 150 | 30-35 minutes per 500g +30-35 minutes. | <i>Thoroughly thaw frozen joints before cooking. Meat may be roasted at 220°C (210°C for fan oven) and the cooking time adjusted accordingly. For stuffed and rolled meats, add approximately 10 minutes per 500g, or cook at 200°C (190°C) for 20 minutes then 160°C (150°C) for the remainder.</i> |
| | 200 (C) | 190 | 20-25 minutes per 500g +20-25 minutes. | |
| Lamb | 160 (C) | 150 | 30-35 minutes per 500g +30-35 minutes. | |
| | 200 (C) | 190 | 25-30 minutes per 500g +25-30 minutes. | |
| Pork | 160 (C) | 150 | 35-40 minutes per 500g +35-40 minutes. | |
| | 200 (C) | 190 | 25-30 minutes per 500g +25-30 minutes. | |
| Poultry | | | | |
| Chicken | 160 (C) | 150 | 20-25 minutes per 500g +20-25 minutes. | <i>For stuffed poultry, you could cook at 200°C (190°C) for 20 minutes then 160°C (150°C) for remainder. Do not forget to include the weight of the stuffing.</i> |
| | 200 (C) | 190 | 15-20 minutes per 500g +15-20 minutes. | |
| Turkey | 160 (C) | 150 | 20 minutes per 500g +20 minutes. | |
| | 200 (C) | 190 | 15 minutes per 500g +15 minutes. | |
| Duck | 160 (C) | 150 | 25-30 minutes per 500g. | <i>For fresh or frozen prepacked poultry, follow instructions on the pack. Thoroughly thaw frozen poultry before cooking.</i> |
| | 200 (C) | 190 | 20 minutes per 500g. | |
| Casserole | 140-150 (C) | 130-140 | 2-4 hours according to recipe. | |
| Yorkshire Pudding | 220 (C) | 210 | Large tins 30-35 minutes; individual 10-20 minutes. | |
| Cake | | | | |
| Very rich fruit - Christmas, wedding, etc. | 140 (C/B) | 130 | 45-50 minutes per 500g of mixture. | <i>Using the conventional oven: when two tier cooking leave at least one runner space between shelves. Position the baking tray with the front edge along the front of the oven shelf.</i> |
| Fruit 180 mm tin | 150 (C/B) | 140 | 2-2½ hours. | |
| Fruit 230 mm tin | 150 (C/B) | 140 | Up to 3½ hours. | |
| Madeira 180 mm | 160 (C/B) | 150 | 80-90 minutes. | |
| Small cakes | 170 (C/B) | 160 | 15-25 minutes. | |
| Scones | 200 (C/B) | 190 | 10-15 minutes. | |
| Victoria sandwich | | | | |
| 180 mm tin | 170 (C/B) | 160 | 20-30 minutes. | <i>Up to three tiers can be cooked in a fan oven at the same time but make sure to leave at least one runner space between each shelf being cooked on.</i> |
| 210 mm tin | 170 (C/B) | 160 | 30-40 minutes. | |
| Desserts | | | | |
| Shortcrust tarts | 200 (C/B) | 190 | 20-30 minutes on a preheated tray. | <i>Using the conventional oven: for even browning the maximum size of baking tray recommended is 340 mm x 340 mm. This ensures free heat circulation.</i> |
| Fruit pies | 180 (C/B) | 170 | 35-45 minutes. | |
| Tartlets | 180 (C/B) | 170 | 10-20 minutes according to size. | |
| Puff pastry | 210 (C/B) | 200 | 20-40 minutes according to size. | |
| Meringues | 100 (C/B) | 90 | 2-3 hours. | <i>If cooking a two tier load, the trays should be interchanged approximately halfway through the cooking time.</i> |
| Baked egg custard | 160 (C/B) | 150 | 45-60 minutes. | |
| Baked sponge pudding | 180 (C/B) | 170 | 40-45 minutes. | |
| Milk pudding | 140-150 (C/B) | 130-140 | 2 to 3 hours. | |
| Bread | 210 (C) | 200 | 20-30 minutes. | |
| Fish | | | | |
| Fanned Grilling | | | | |
| Fillet | 190 (C/B) | 190 (C/B) | 15-20 minutes. | |
| Whole | 190 (C/B) | 190 (C/B) | 15-20 minutes per 500g. | |
| Steak | 190 (C/B) | 190 (C/B) | Steaks according to thickness. | |

6. Cleaning Your Cooker

Fig. 6.1



Isolate the electricity supply before carrying out any major cleaning. Allow the cooker to cool.

- ⚠ **NEVER use paint solvents, washing soda, caustic cleaners, biological powders, bleach, chlorine based bleach cleaners, coarse abrasives or salt.**
- ⚠ **DO NOT mix different cleaning products – they may react together with hazardous results.**

All parts of the cooker can be cleaned with hot soapy water. **Take care that no surplus water seeps into the appliance.**

Remember to switch the electricity supply back on and reset the clock before reusing the cooker.

Hob

Daily Care

First of all make sure that all heat indicator lights are off and that the cooking surface is cool. Apply a small dab of ceramic cleaning cream in the centre of each area to be cleaned. Dampen a clean paper towel and work the cream onto the cooking surface. As a final step, wipe the cooking surface with a clean, dry paper towel.

Cleaning Spills

For spills and boil-overs that occur while cooking, turn the unit off and wipe the area surrounding the hot zone with a clean paper towel. If a spill (other than a sugary substance) is on the hot zone, do not clean until the unit has completely cooled down, and then follow the instructions below (*'Cleaning Burned-on Spills'*).

If you accidentally melt anything on the surface, or if you spill foods with a high sugar content (preserves, tomato sauce, fruit juice, etc.), remove the spill **IMMEDIATELY** with a razor scraper, while the unit is still hot.

IMPORTANT: Use an oven glove to protect your hand from potential burns.

Scrape the major spill or melted material from the cooking zone and push into a cold area. Then, turn the unit 'OFF' and allow it to cool before cleaning further. After the cooking surface cools down and the heat indicator lights go off, follow the *'Daily Care'* procedure outlined above.

Cleaning Burned-on Spills

Make sure that the heat indicator lights are off and that the hob is cool. Remove the excess burned-on substance with a single-edged razor scraper. Hold the scraper at an angle of about 30° to the surface and then scrape off the burned-on matter (**Fig. 6.1**).

Once you have removed as much as possible with the scraper, follow the *'Daily Care'* procedure outlined above.

Grills

The grill pan and trivet should be washed in hot soapy water. After grilling meats or any foods that soil, leave to soak for a few minutes immediately after use. Stubborn particles may be removed from the trivet using a nylon brush. Alternatively, the grill pan can be washed in a dishwasher.

⚠ Before you remove any of the grill parts for cleaning, make sure that they are cool, or use oven gloves.

⚠ DO NOT use any abrasive substances.

Cleaning the Glide-out Grill

The grill pan can be easily removed for cleaning as follows:

Remove the grill pan support frame by pulling the grill pan forward (**Fig. 6.2**).

Lift the grill pan clear of the support frame. The support frame is held to the side rails by two clips on each side (**Fig. 6.3**).

For each side, support the side rail with one hand and with the other hand lift the frame up and out of the side clips (**Fig. 6.4**).

For safety, push the side rails back into the grill chamber.

If you need to remove the side rails to allow cleaning of the grill chamber, you can unhook them from the grill chamber sides (**Fig. 6.5**) and wipe the sides clean with a soft cloth and mild detergent.

⚠ DO NOT put the side runners in a dishwasher.

Once you have finished, hook the side rails back onto the sides of the chamber. To refit the frame, pull the side rails forward and, for each side in turn, support the side rail and press the frame down into the side rails. Replace the grill pan. When refitting the grill pan, make sure that the wide rim is at the front (**Fig. 6.6**).

Control Panel and Doors

Avoid using any abrasive cleaners, including cream cleaners. For best results, use a liquid detergent.

The same cleaner can also be used on the doors. Alternatively, use a soft cloth wrung out in clean hot soapy water. You can use the same method for cleaning the control panel and knobs.

After cleaning, polish with a dry cloth.

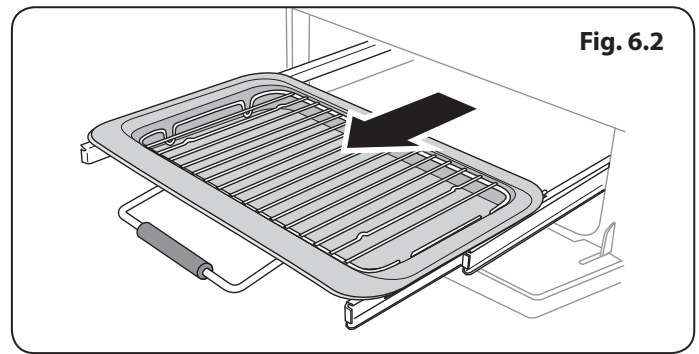


Fig. 6.2

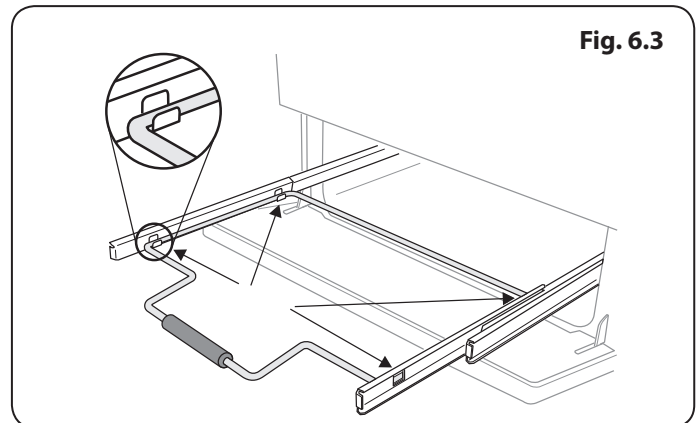


Fig. 6.3

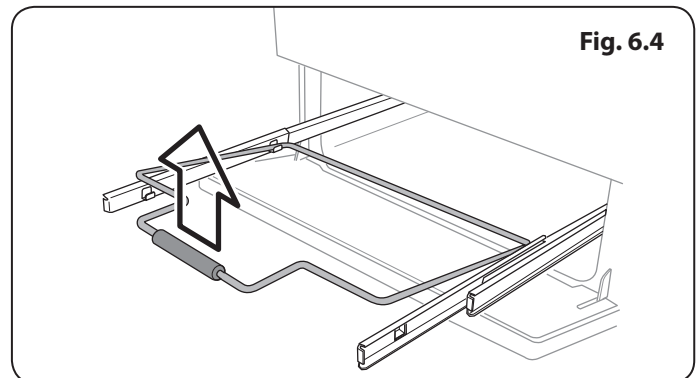


Fig. 6.4

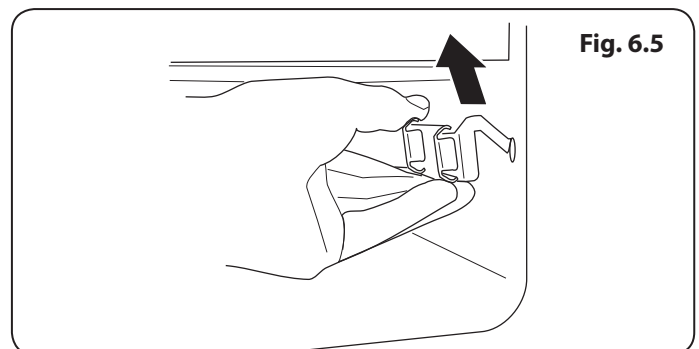


Fig. 6.5

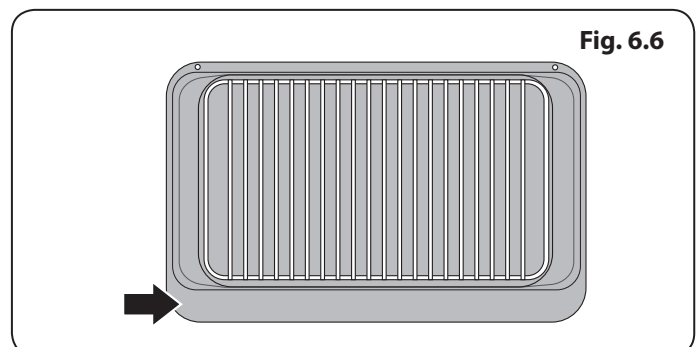
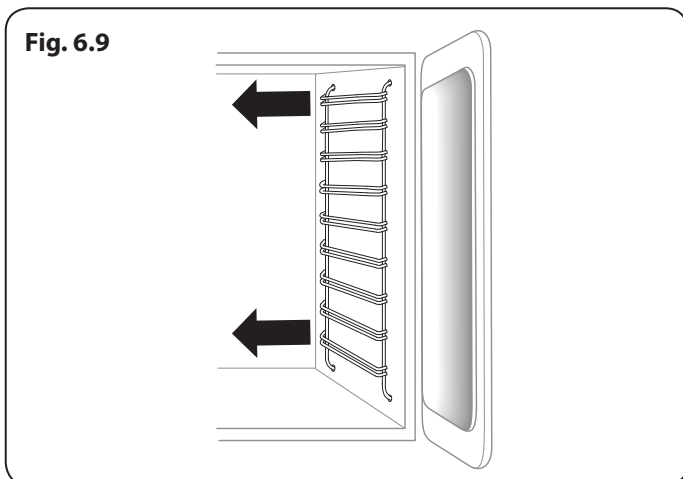
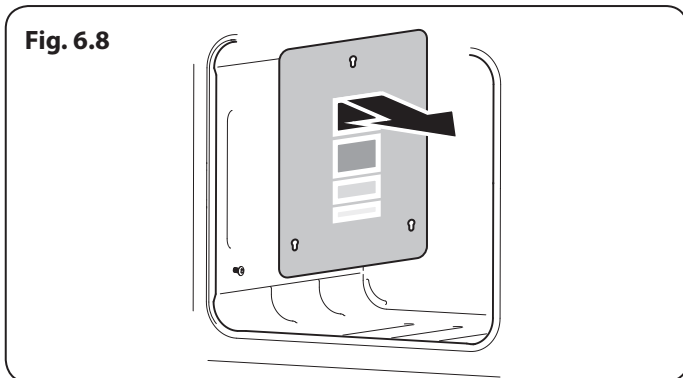
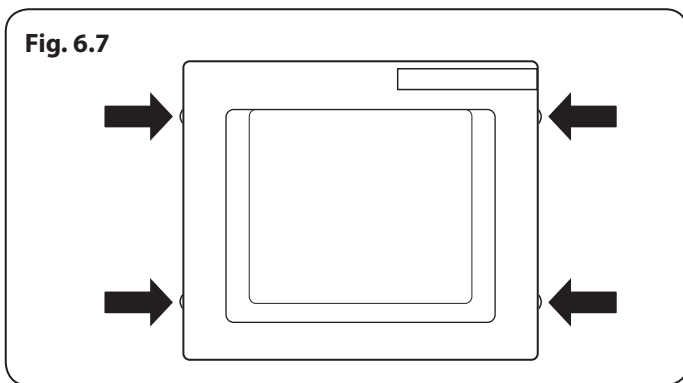


Fig. 6.6



Glass Fronted Door Panels

The oven door front panels can be taken off so that the glass panels can be cleaned. Move the cooker forward to gain access to the sides (see the 'Moving the Cooker' section under 'Installation').

Open the oven door slightly and remove the front panel fixing screws from the door sides, two each side (**Fig. 6.7**).

Carefully lift off the outer door panel. The inside face of the glass panels can now be cleaned – take care not to disturb or wet the door insulation.

Note: If the door is triple glazed then the inner two panels are fixed together and should not be separated. After cleaning, carefully refit the outer door panel and replace the side fixing screws.

⚠ DO NOT use harsh abrasive cleaners or sharp metal scrapers to clean the oven door glass since they can scratch the surface, which may result in shattering of the glass.

Ovens

'Cook & Clean' Panels

The main oven has side 'Cook & Clean' panels which have been coated with a special enamel that partly cleans itself. This does not stop all marks on the lining, but helps to reduce the amount of manual cleaning needed.

These panels work better above 200°C. If you do most of your cooking below this temperature, occasionally remove the panels and wipe with a lint free cloth and hot soapy water. The panels should then be dried and replaced and the oven heated at 200°C for about one hour. This will make sure that the panels are working effectively.

Removing the Panels to Clean the Enamel Interior

Some of the lining panels can be removed for cleaning.

If you wish to clean the enamel interior of the oven, you will need to remove the shelves before removing the 'Cook & Clean' panels. Lift each panel upward and slide forward off the support brackets (**Fig. 6.8**).

Once the panels have been removed, the oven enamel interior can be cleaned.

DO NOT use steel wool, oven cleaning pads, or any other materials that will scratch the surface.

Refit in the reverse order.

The Tall Oven

To clean the oven sides, slide out the shelves, unhook the supports from the oven sides and lift out (**Fig. 6.9**).

Cleaning Table

Cleaners listed are available from supermarkets or electrical retailers as stated (**Table 6.1**).

For enamelled surfaces use a cleaner that is approved for use on vitreous enamel.

Regular cleaning is recommended. For easier cleaning, wipe up any spillages immediately.

| Hotplate | | |
|---|---|---|
| Part | Finish | Recommended Cleaning Method |
| Hob top | Enamel or stainless steel | Hot soapy water, soft cloth. Any stubborn stains remove gently with a nylon scourer. |
| Ceramic/Induction hob | Toughened glass | Hot soapy water; cream cleaner/scourer if necessary. |
| Griddle Plate (some models only) | Non-stick surface | Allow to cool. Wash in hot soapy water. Do not use abrasive cleaners/scourers. Dishwasher. |
| Warming Zone (some models only) | Toughened glass | Hot soapy water, cream cleaner/scourer if necessary. |
| Outside of Cooker | | |
| Part | Finish | Recommended Cleaning Method |
| Door, door surround and storage drawer exterior | Enamel or paint | Hot soapy water, soft cloth. Any stubborn stains, remove gently with a liquid detergent. |
| | Stainless steel | E-cloth or microfibre all-purpose cloth (supermarket). |
| Sides and plinth | Painted surface | Hot soapy water, soft cloth. |
| Splashback/rear grille | Enamel or stainless steel | Hot soapy water, soft cloth. Cream cleaner, with care, if necessary. |
| Control panel | Paint, enamel, stainless steel, glass | Warm soapy water. Do not use proprietary cleaners other than washing-up liquid, as this may cause cosmetic damage. |
| Control knobs/handles & trims | Plastic/chrome, copper or lacquered brass | Warm soapy water, soft cloth. |
| | Brass | Brass polish. |
| Oven door glass/glass lid | Toughened glass | Hot soapy water, cream cleaner/scourer if necessary. |
| Oven and Grill | | |
| Part | Finish | Recommended Cleaning Method |
| Sides, floor & roof of oven NOT COOK & CLEAN OVEN PANELS (see below) | Enamel | Any proprietary oven cleaner that is suitable for enamel. CAUTION: CORROSIVE/CAUSTIC OVEN CLEANERS: FOLLOW MANUFACTURERS INSTRUCTIONS. Do not allow contact with the oven elements. |
| Cook & Clean Oven Panels (some models only) | Special enamel that partly cleans itself | This surface cleans itself at 200°C and above, or the panels can be removed and washed with hot soapy water and a nylon brush (see 'The Ovens' in 'Cleaning Your Cooker'). |
| Oven shelves, Handyrack, grill trivet, Handygrill rack | Chrome | An oven interior cleaner that is suitable for chrome. Soap filled pad. Dishwasher. |
| Grill pan/meat tin (some models only) | Enamel | Hot soapy water. Soap filled pad. Dishwasher. |

Table 6.1

7. Troubleshooting

⚠ Interference with and repairs to the hob MUST NOT be carried out by unqualified persons. Do not try to repair the hob as this may result in injury and damage to the hob. Please arrange for repair by a suitably competent person.

Note: The induction hob is able to self-diagnose a number of problems and can show this information to the user via the hob control display. Error codes may be displayed if your hob has developed a fault.

If your appliance reports an error or is not working, you may be able to correct the fault by consulting the following.

Error code E2 is displayed

The electronic unit is too hot. Please check the installation of the cooker, making sure that there is sufficient ventilation. In extreme cases, if a cooking utensil has been allowed to boil dry this error code may also be displayed. If in doubt please contact your installer or a qualified repair engineer.

No display operation

Over voltage or loss of supply voltage to the cooker. If in doubt please contact your installer or a qualified repair engineer.

Error code U400 is displayed

The hob/range has been incorrectly connected. The control will switch off after approximately 1 second and the error code will be permanently displayed.

Consult your installer or a qualified repair engineer.

Error code Er followed by a number is displayed

The appliance has developed an internal technical fault that cannot be rectified by the user.

Consult your installer or a qualified repair engineer.

The fuse blows or the RCD trips regularly

Please contact your installer or a qualified repair engineer.

The hob will not switch on

Has the wiring system in the house blown a fuse or tripped an RCD?

Has the hob been correctly connected to the mains supply?

Has the child lock been activated? Please refer to the child lock section for details of this function.

The induction hob is noisy

When using the induction hob there may be some 'noise' emitted from the pan. This is normal and may be most noticeable when cooking on high power settings or if 5 pans are used simultaneously. The type of pan may also contribute to induction 'noise'.

The cooling fan

The induction hob incorporates a cooling fan. This cooling fan is active when either the grill or ovens are on. Under certain conditions, the cooling fan may remain active when the grill or ovens are switched off. This is normal and the fan will switch off automatically.

A crack has appeared in the hob surface

Disconnect the cooker immediately from the power supply and arrange for its repair. Do not use the cooker until after the repair.

My hob is scratched

Always use the cleaning methods recommended in this guide, and make sure that the pan bottoms are smooth and clean.

Marks from mineral deposits from water or food can be removed with a cleaning cream. However, tiny scratches are not removable but will become less visible in time as a result of cleaning.

The oven fan is noisy

The note of the oven fan may change as the oven heats up – this is perfectly normal.

Grill not cooking properly

Are you using the pan and trivet supplied with the cooker? Is the pan being used on the runners, not the floor of the compartment? Is the grill tray pushed back fully to the 'back stop' position?

The knobs get hot when I use the oven or grill. Can I avoid this?

Yes, this is caused by heat rising from the oven or the grill, and heating them up. Do not leave the oven door open. Make sure that the grill pan is pushed right back to the 'back stop' when grilling.

Always grill with the grill compartment door open.

If there is an installation problem and I don't get my original installer to come back to fix it, who pays?

You do. Service organisations will charge for their call-outs if they are correcting work carried out by your original installer. Therefore, it is in your own interest to keep track of this installer so that you can contact them as required.

Power failure

In the event of a failure in the electrical supply, remember to reset the clock to make sure that the timed oven continues to operate.

Fascia illumination is not coming on (*Hi-LITE only*)

Is the power on?

The appliance has developed a fault that cannot be rectified by the user. Please contact your installer or a qualified repair engineer.

Food is cooking too slowly, too quickly, or burning

Cooking times may differ from your previous oven. Check that you are using the recommended temperatures and shelf positions – see the oven cooking guide. Then adjust the settings according to your own individual tastes.

The oven is not cooking evenly

Do not use a baking tray with dimensions larger than those specified in the section on '*General Oven Tips*'.

If you are cooking a large item, be prepared to turn it round during cooking.

If two shelves are used, check that space has been left for the heat to circulate. When a baking tray is put into the oven, make sure that it is placed centrally on the shelf.

Check that the door seal is not damaged and that the door catch is adjusted so that the door is held firmly against the seal.

A dish of water when placed on the shelf should be the same depth all over. (For example, if it is deeper at the back, then the back of the cooker should be raised up or the front lowered.) If the cooker is not level, arrange for your supplier to level it for you.

The timed oven is not coming on when turned on manually

Is the power on? Is the clock illuminated? If not, there may be something wrong with the power supply. Is the cooker supply on at the isolator switch?

Has the time of day been set?

Is the key symbol [🔒] showing in the display to signify that the oven is locked? See the '*Clock*' section of the instructions for more information on the key lock feature.

The timed oven is not coming on when automatic cooking

Has the oven knob been left in the OFF position by mistake? Is the oven locked (see above)?

Oven temperature getting hotter as the cooker gets older

If turning the temperature down using the oven control knob has not worked, or has only worked for a short time, then you may need a new thermostat. This should be fitted by a service person.

Fig. 7.1

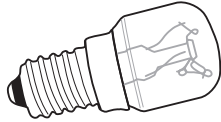


Fig. 7.2

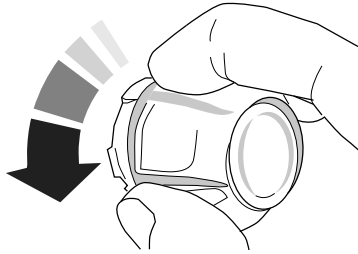
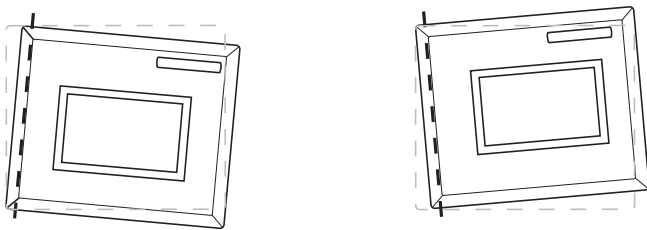
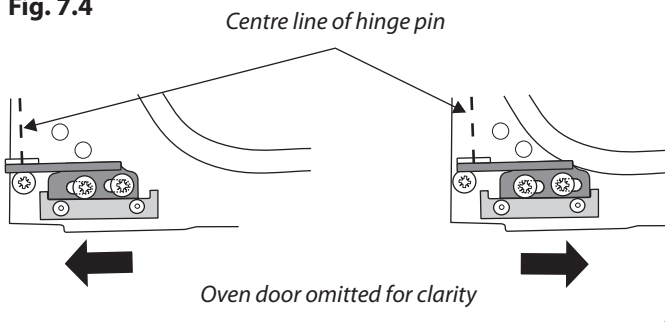


Fig. 7.3



Effect of hinge adjustment – exaggerated for clarity

Fig. 7.4



The oven light is not working

The bulb has probably blown. You can buy a replacement bulb (which is not covered under the guarantee) from most electrical stores. Ask for an Edison screw fitting 15W 230V lamp, FOR OVENS. It must be a special bulb, heat resistant to 300°C (**Fig. 7.1**).

Before removing the existing bulb, turn off the power supply and make sure that the oven is cool. Open the oven door and remove the oven shelves.

Locate the bulb cover and unscrew it by turning it counter-clockwise (it may be very stiff) (**Fig. 7.2**).

Now unscrew the existing bulb counter-clockwise, taking care to protect your fingers with a glove in case the bulb should shatter.

Screw in the new bulb clockwise and then screw the bulb cover back on. Turn on the electricity supply and check that the bulb now lights.

The oven door is misaligned

The bottom hinge of either oven door can be adjusted to alter the angle of the door (**Fig. 7.3**).

Loosen the bottom hinge fixing screws and use the notch and a flat bladed screwdriver to move the position of the hinge to set the hinge position (**Fig. 7.4**).

Retighten the hinge screws.

INSTALLATION

Check the appliance is electrically safe when you have finished.

8. Installation

Dear Installer

Before you start your installation, please complete the details below, so that, if your customer has a problem relating to your installation, they will be able to contact you easily.

| |
|-------------------------------------|
| Installer's Name |
| |
| Installer's Company |
| |
| Installer's Telephone Number |
| |
| Appliance Serial Number |
| |

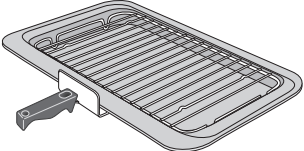
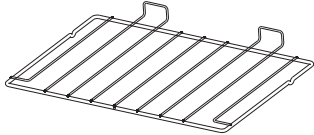
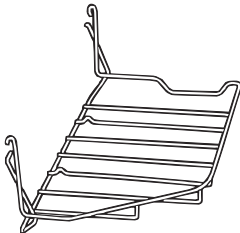
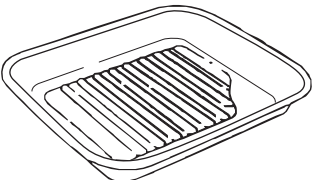
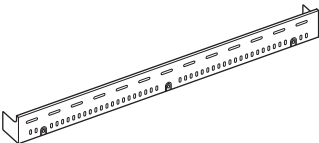
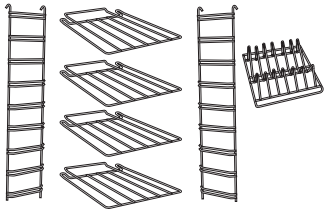
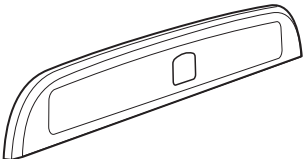
You will need the following equipment to complete the cooker installation satisfactorily:

- Multimeter (for electrical checks).

You will also need the following tools:

1. Steel tape measure
2. Cross-head screwdriver
3. Flat-bladed screwdriver
4. Spirit level
5. Pencil
6. Adjustable spanner
7. 3 mm and 4 mm Allen keys
8. 13 mm spanner or socket wrench

Checking the parts:

| | |
|--|---|
| <i>Grill pan and trivet (standard model shown)</i> | <i>Flat oven shelf</i> |
|  |  |
| <i>Handyrack</i> | <i>Roasting tin</i> |
|  |  |
| <i>Plinth (standard model shown)</i> | <i>Tall oven shelves and shelf supports (example shown)</i> |
|  |  |
| <i>Splashback (optional)</i> | |
|  | |

Safety Requirements and Regulations

- ⚠ This cooker must be installed in accordance with the relevant instructions in this booklet, with the relevant national and local regulations, and with the local electricity supply companies' requirements.
- ⚠ The appliance must be installed in accordance with the regulations in force and only in a well ventilated space.
- ⚠ Read the instructions before installing or using this appliance.

Provision of Ventilation

This appliance is not connected to a combustion products evacuation device. Therefore, particular attention must be given to the relevant requirements regarding ventilation.

All rooms require a window that can be opened, or equivalent, while some rooms require a permanent vent in addition to the window.

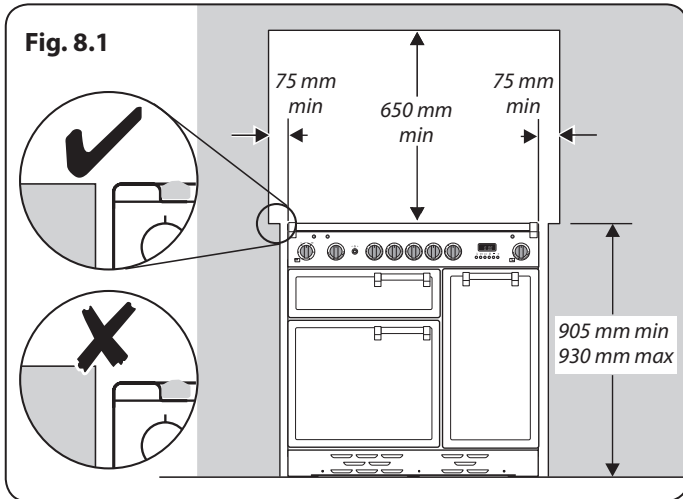
Location of Cooker

The cooker may be installed in a kitchen/kitchen diner but NOT in a room containing a bath or shower.

This appliance is designed for domestic cooking only. Use for any other purpose could invalidate any warranty or liability claim.

INSTALLATION

Check the appliance is electrically safe when you have finished.



Positioning the Cooker

Fig. 8.1 and **Fig. 8.2** show the minimum recommended distance from the cooker to nearby surfaces.

The cooker should not be placed on a base.

The hotplate surround should be level with, or above, any adjacent work surface. A gap of 75 mm should be left between each side of the cooker **ABOVE** the hotplate level and any adjacent vertical surface.

For non-combustible surfaces (such as unpainted metal or ceramic tiles), this can be reduced to 25 mm.

A minimum space of 650 mm is required between the top of the hob and a horizontal combustible surface.

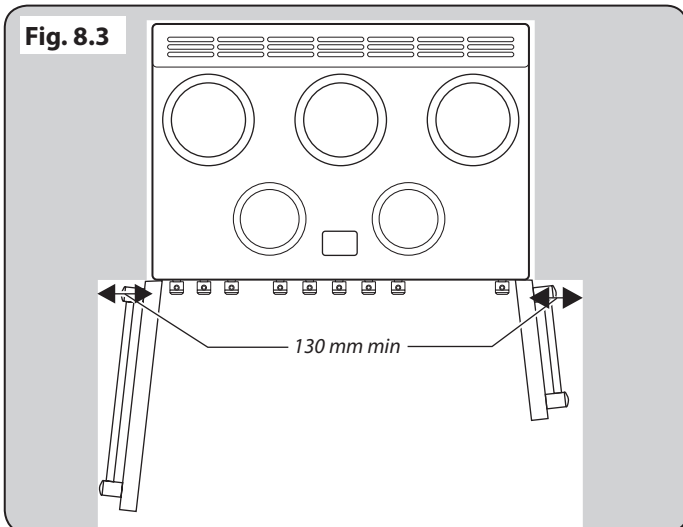
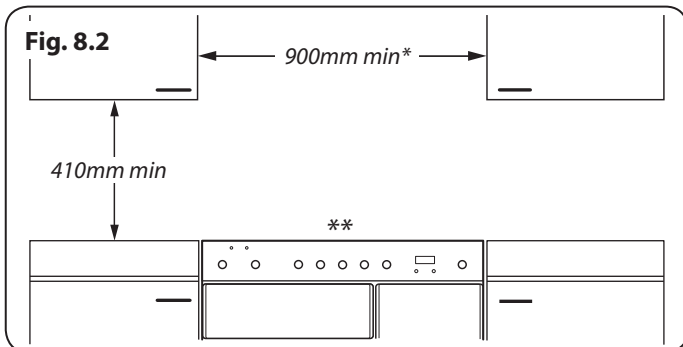
**Any cookerhood should be installed in accordance with the hood manufacturer's instructions.*

***Any splashback must be fitted in accordance with the manufacturers instructions. Allowance should be made for the additional height of the flue trim, which is fitted to the cooker hob.*

Surfaces of furniture and walls at the sides and rear of the appliance should be heat, splash and steam resistant. Certain types of vinyl or laminate kitchen furniture are particularly prone to heat damage and discolouration. We cannot accept responsibility for damage caused by normal use of the cooker to any material that de-laminates or discolours at temperatures less than 65°C above room temperature.

We recommend a gap of 910 mm (920 mm for induction cookers) between units to allow for moving the cooker. Do not box the cooker in – it must be possible to move the cooker in and out for cleaning and servicing.

If the cooker is near a corner of the kitchen, a clearance of 130 mm is required to allow the oven doors to open (**Fig. 8.3**). The actual opening of the doors is slightly less, but this allows for some protection of your hand as you open the door.



Moving the Cooker

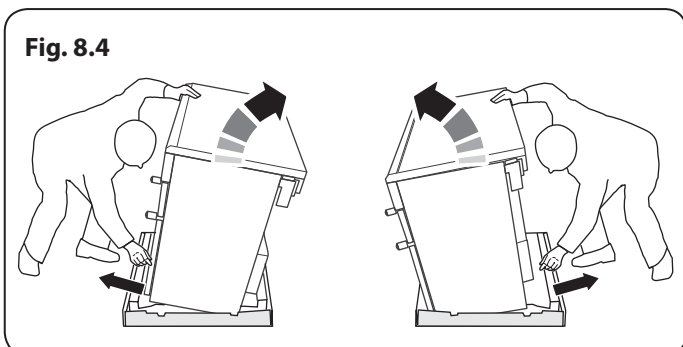
⚠ On no account try and move the cooker while it is plugged into the electricity supply.

⚠ The cooker is very heavy, so take great care.

We recommend that two people manoeuvre the cooker. Make sure that the floor covering is firmly fixed, or removed, to prevent it being disturbed when moving the cooker around.

To help you, there are two levelling rollers at the back, and two screw-down levelling feet at the front.

Remove the polystyrene base pack. From the front, tilt the cooker backwards and remove the front half of the polystyrene base (**Fig. 8.4**). Repeat from the back and remove the rear half of the polystyrene base.



INSTALLATION

Check the appliance is electrically safe when you have finished.

Lowering the Two Rear Rollers

To adjust the height of the rear of the cooker, first fit a 13 mm spanner or socket wrench onto the hexagonal adjusting nut (Fig. 8.5).

Rotate the nut – clockwise to raise – counter-clockwise to lower. Make 10 complete (360°) turns clockwise.

Make sure you lower BOTH REAR ROLLERS.

Completing the Move

Unfold the rear edge of the cardboard base tray. Open the grill door and right-hand oven door so that you can get a good grip on the bottom of the fascia panel as you move the oven (Fig. 8.6).

Carefully push the cooker backwards off the base tray. Remove the base tray.

Position the cooker close to its final position, leaving just enough space to get behind it (Fig. 8.7).

⚠ Do not use the door handles or control knobs to manoeuvre the cooker.

Repositioning the Cooker Following Connection

If you need to move the cooker once it has been connected, make sure it is switched off at the supply switch before gripping under the fascia panel and lifting the front of the cooker slightly (Fig. 8.6). Check behind the cooker to make sure that the electricity cable is not caught.

As you progress, always make sure that the cable has sufficient slack to allow the cooker to move.

When you replace the cooker, check behind it again once more to make sure that the electricity cable is not caught or trapped.

Levelling the Cooker

It is recommended that you use a spirit level on a shelf in one of the ovens to check for level.

Place the cooker in its intended position. Take care not to twist it within the gap between the kitchen units as damage may occur to the cooker or units.

The front feet and rear rollers can be adjusted to level the cooker.

To adjust the height of the rear of the cooker, use a 13 mm spanner or socket wrench to turn the hexagonal adjusting nuts at the front bottom corners of the cooker.

To set the front, turn the feet bases to raise or lower.

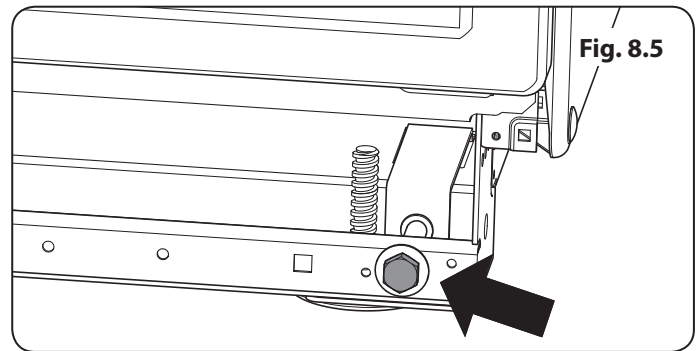


Fig. 8.5

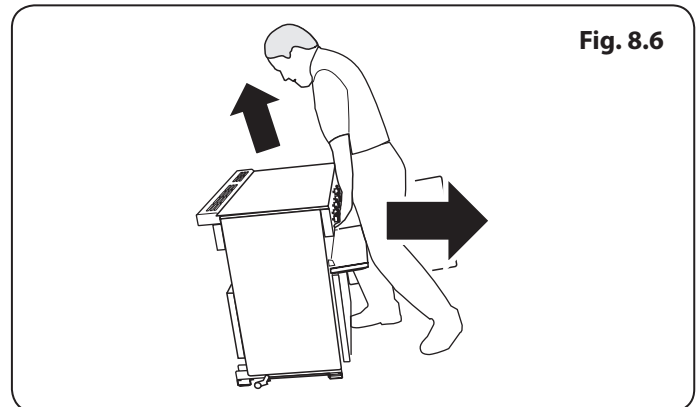


Fig. 8.6

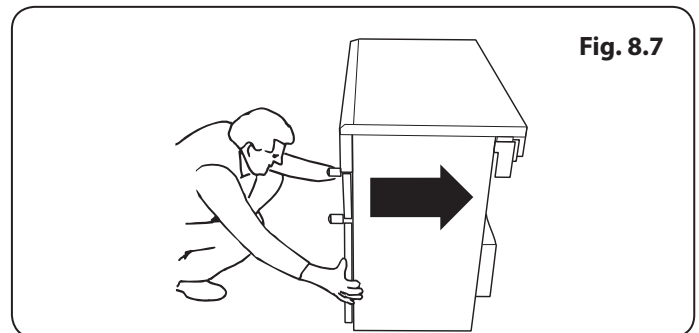


Fig. 8.7

INSTALLATION

Check the appliance is electrically safe when you have finished.

Current Operated Earth Leakage Breakers

The combined use of your cooker and other domestic appliances may cause nuisance tripping, so we recommend that the cooker is protected on an individual RCD (Residual Current Device) or RCBO (Residual Current Breaker with Overload).

IF IN DOUBT, PLEASE CONSULT A SUITABLY QUALIFIED ELECTRICIAN.

Fig. 8.8

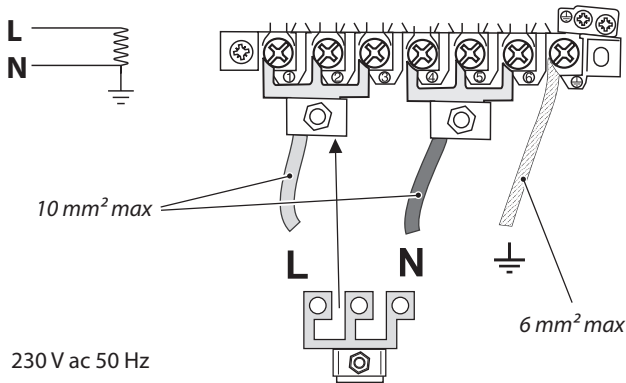
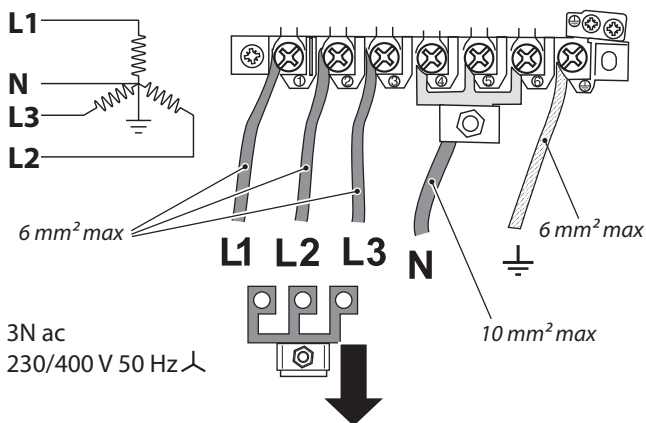


Fig. 8.9



Electrical Connection

This appliance must be installed by a suitably qualified electrician to comply with the relevant electrical regulations, and also the local electricity supply company requirements.

⚠ WARNING: THE APPLIANCE MUST BE EARTHED.

Note: The cooker must be connected to the correct electrical supply as stated on the voltage label on the cooker, through a suitable cooker control unit incorporating a double-pole switch, having a contact separation of at least 3 mm in all poles.

⚠ The cooker MUST NOT be connected to an ordinary domestic power point.

Access to the mains terminal is gained by removing the electrical terminal cover box on the back panel. Connect the mains cable to the correct terminals for your electrical supply type (**Fig. 8.8** and **Fig. 8.9**). Check that the links are correctly fitted and that the terminal screws are tight. Secure the mains cable using the cable clamp.

Final Checks

Hob Check

Check each cooking zone in turn. Be sure to use pans of the correct size and material.

Grill Check

Turn on the grill control and check that the grill heats up.

Oven Check

Set the clock as described earlier, and then turn on the ovens. Check the oven fans start to turn and that the ovens heat up.

INSTALLATION

Check the appliance is electrically safe when you have finished.

Final Fitting

Fitting the Handles and Handrail (depending on model)

Remove the 4 mm Allen screws from the doors (**Fig. 8.10**). Fit the door handles and secure using the 4 mm screws.

⚠ The handles should be above the fixings.

Elan only: Fit the plastic blanking plugs to the fixing holes (**Fig. 8.11**).

Remove the 4 mm Allen screws from the top corners of the fascia (**Fig. 8.12**). Fit the front handrail in position and secure using the 4 mm screws.

Fitting the 1-piece Plinth

Loosen the three screws along the front bottom edge of the cooker. Hook the central keyhole over the central screw. Twist and fit each end keyhole over their respective screws. Tighten the fixing screws (**Fig. 8.13**).

Fitting the 2-piece Plinth (Classic Deluxe & Professional Deluxe only)

Note: When fitting the 2-piece plinth make sure to remove the 3 white plastic fixings (if present).

Fit the inner plinth to the bottom front of the cooker using the 4 screws provided (**Fig. 8.14**).

Fit the outer plinth (2 screws, 1 each end) to the inner plinth. The height of the outer plinth can be adjusted by sliding it up or down via the slotted hole (**Fig. 8.15**).

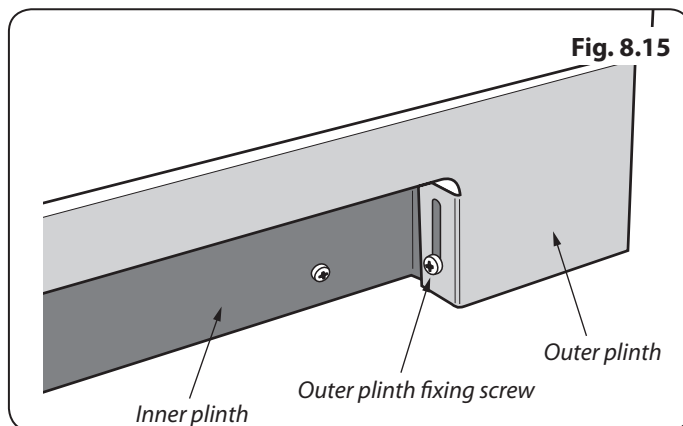
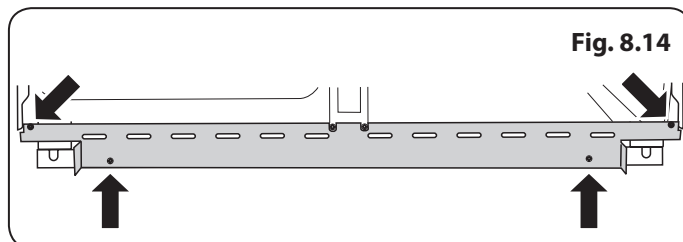
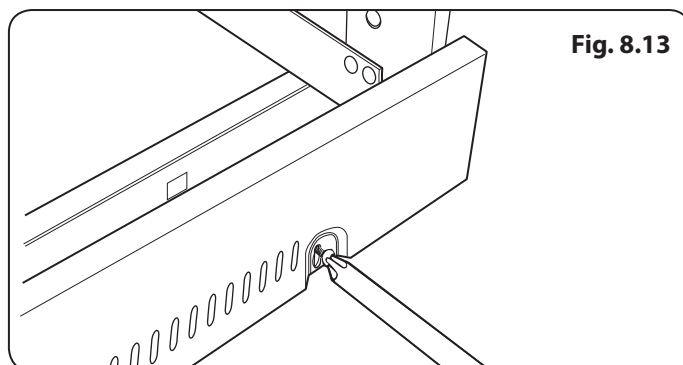
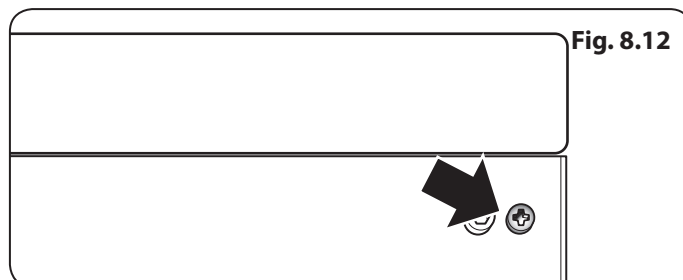
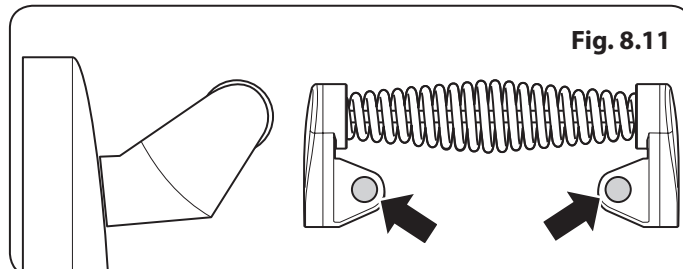
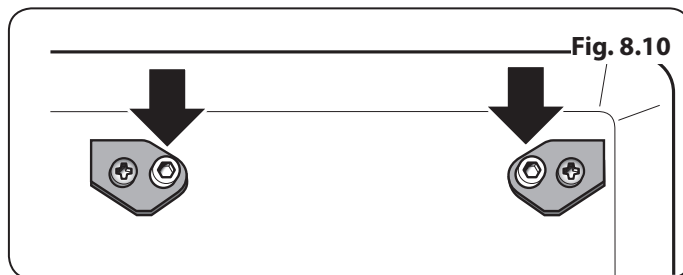
Fitting the Splashback (optional)

Position the splashback on the rear of the hotplate and secure with the screws supplied.

Customer Care

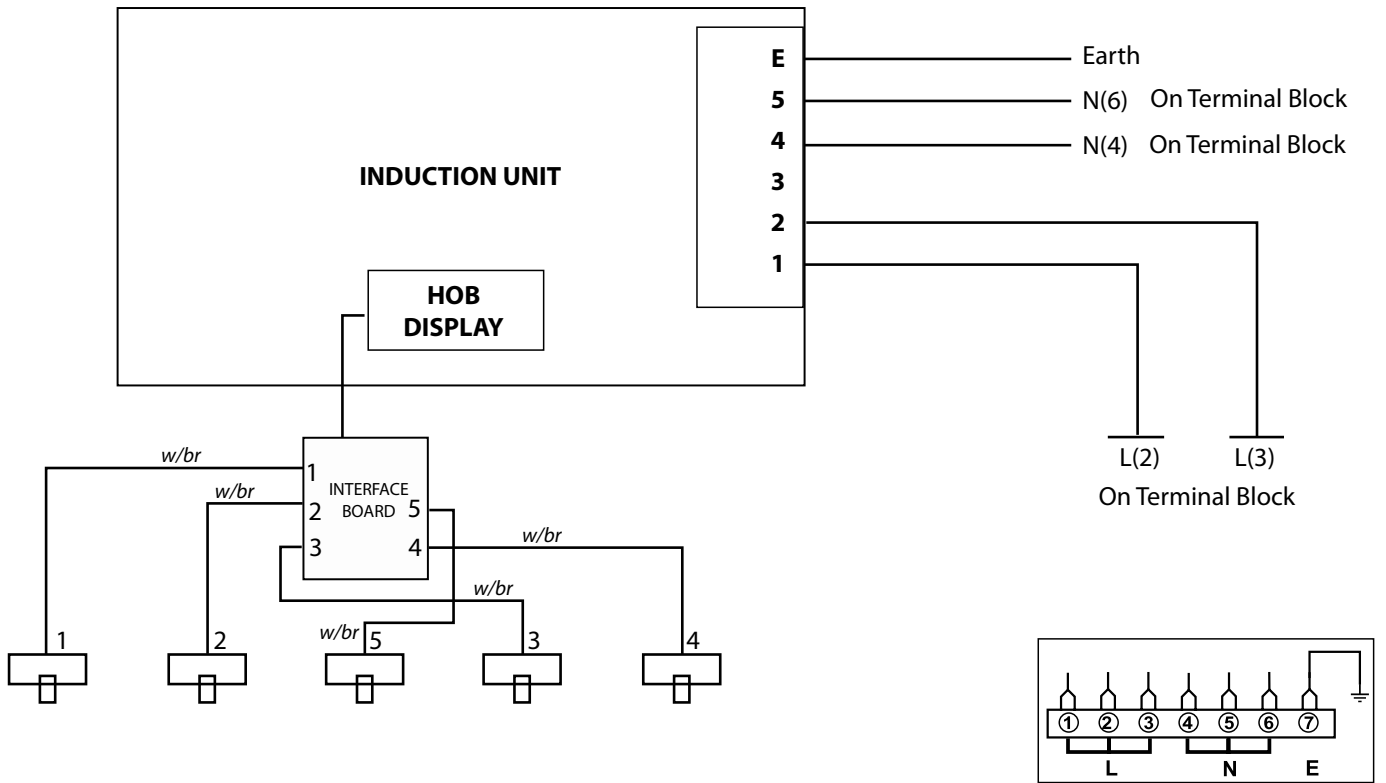
Installer: Please complete your details in this guide, inform the user how to operate the cooker and hand over the instructions.

Thank you.



9. Circuit Diagrams

Hob

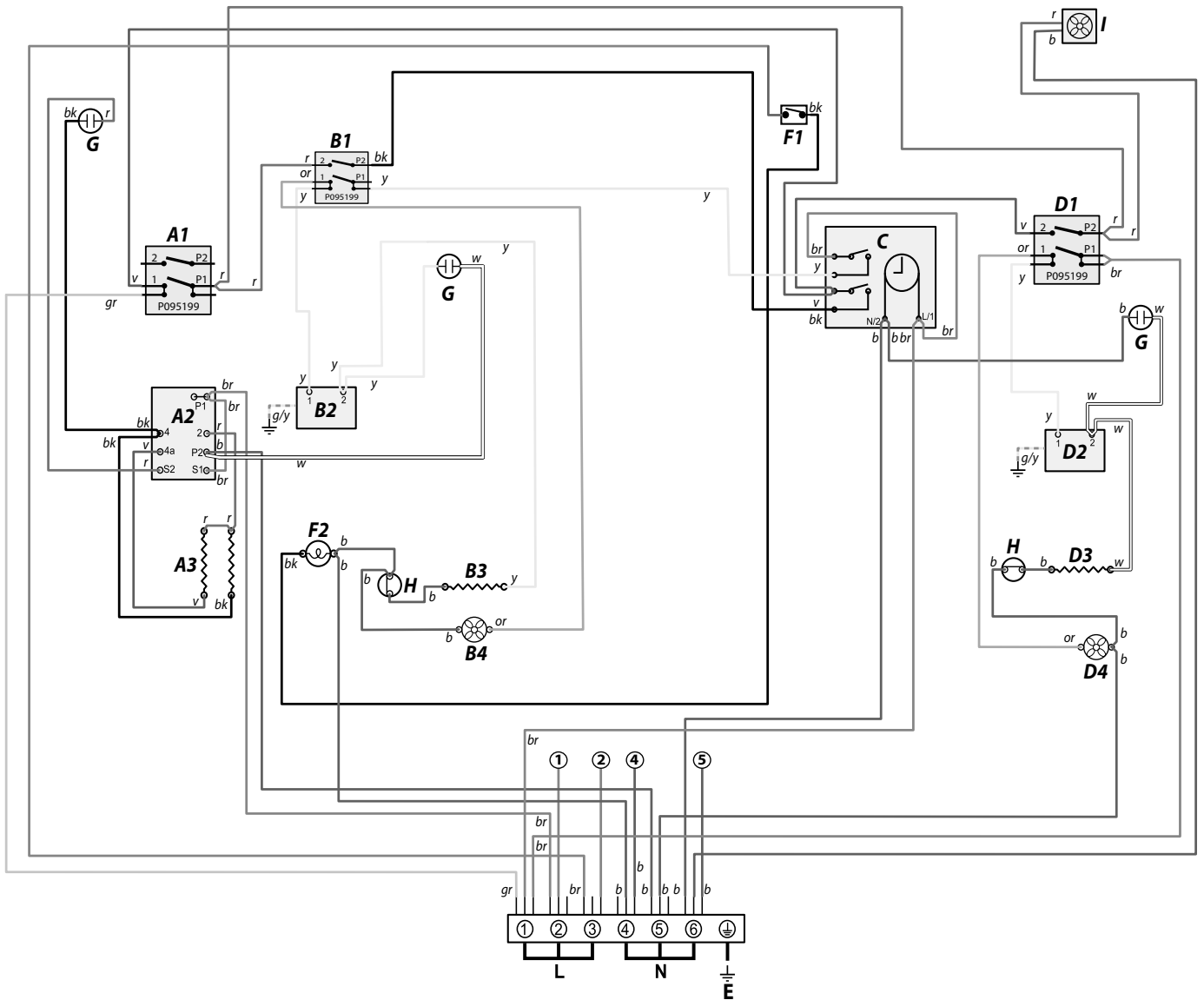


| Code | Description |
|------|--------------------------|
| 1 | Left-hand front element |
| 2 | Left-hand back element |
| 3 | Right-hand back element |
| 4 | Right-hand front element |
| 5 | Centre element |

| Code | Colour |
|------|----------------|
| w/br | White or brown |

Fan Oven

Toledo



Key

The connections shown in the circuit diagram are for single-phase. The ratings are for 230V 50Hz.

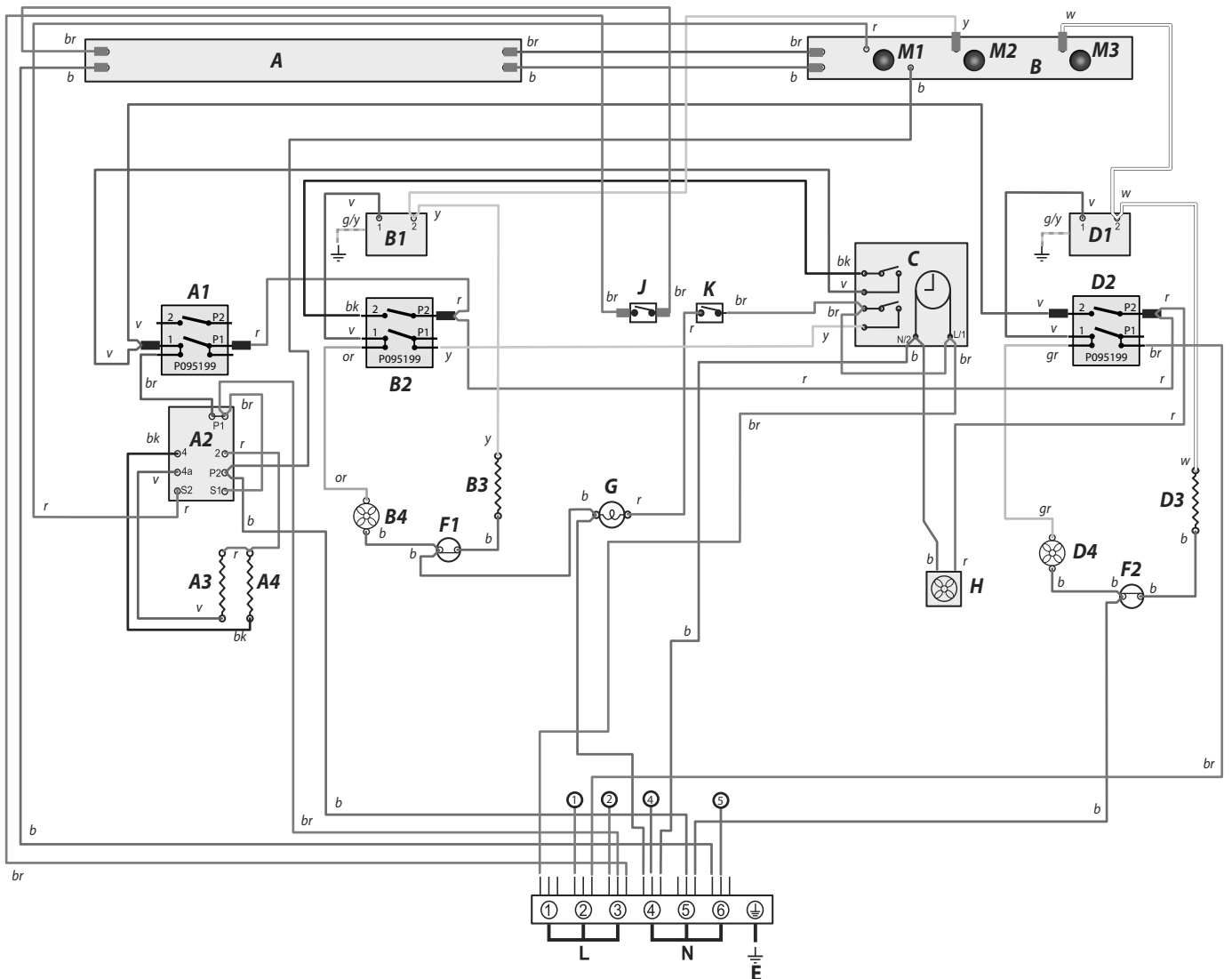
| Code | Description |
|-----------|----------------------------------|
| A1 | Grill front switch |
| A2 | Grill energy regulator |
| A3 | Grill elements |
| B1 | Left-hand fan oven front switch |
| B2 | Left-hand fan oven thermostat |
| B3 | Left-hand fan oven element |
| B4 | Left-hand fan oven fan |
| C | Clock |
| D1 | Right-hand fan oven front switch |
| D2 | Right-hand fan oven thermostat |

| Code | Description |
|-----------|-----------------------------|
| D3 | Right-hand fan oven element |
| D4 | Right-hand fan oven fan |
| F1 | Light switch |
| F2 | Oven light |
| G | Neon |
| H | Thermal cut-out |
| I | Cooling fan |

| Code | Colour |
|------------|--------------|
| b | Blue |
| br | Brown |
| bk | Black |
| or | Orange |
| r | Red |
| v | Violet |
| w | White |
| y | Yellow |
| g/y | Green/yellow |
| gr | Grey |

Fan Oven

HI-LITE



Key

The connections shown in the circuit diagram are for single-phase. The ratings are for 230V 50Hz.

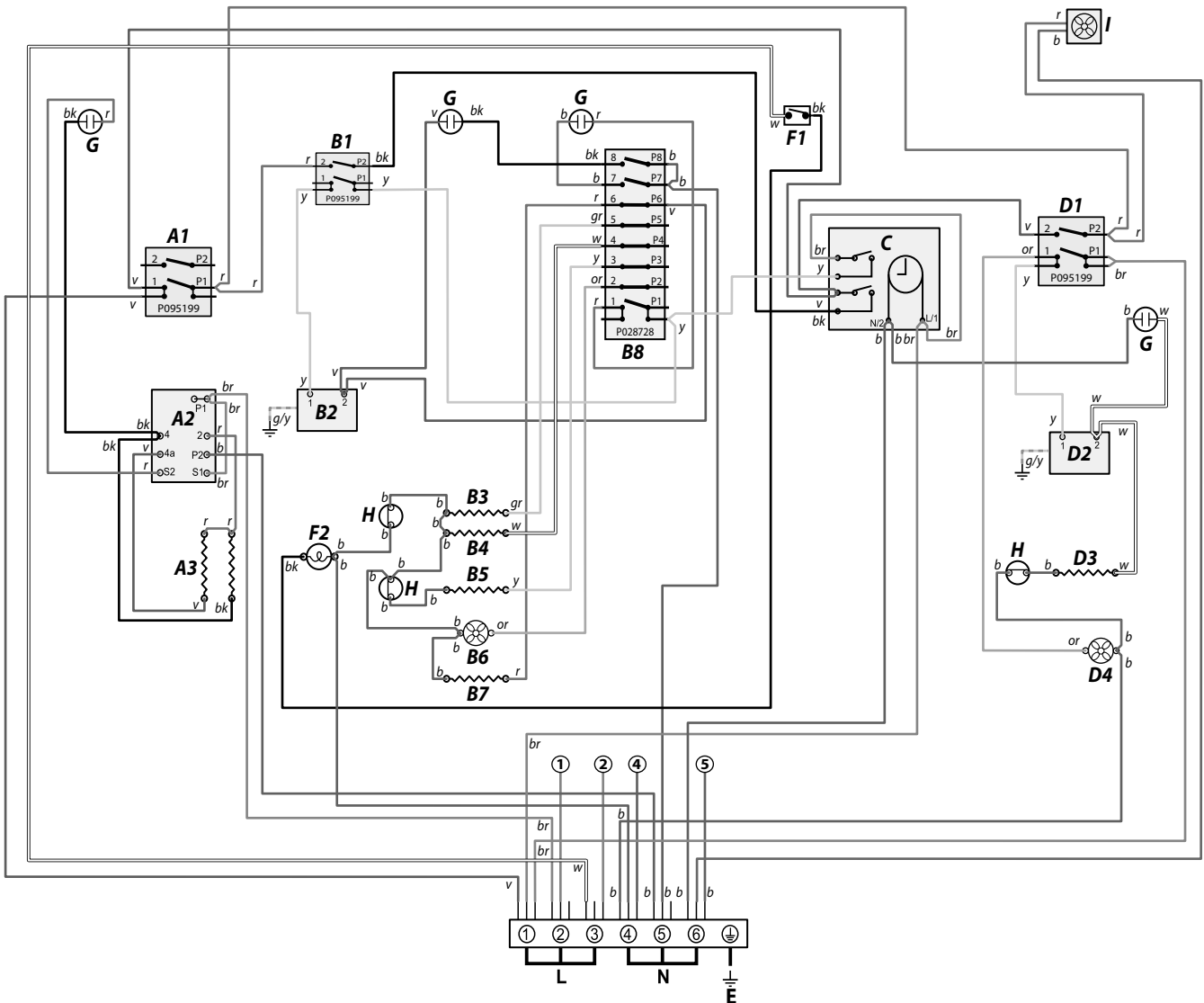
| Code | Description |
|-----------|--------------------------------------|
| A | Illumination board - left-hand side |
| A1 | Grill front switch |
| A2 | Grill energy regulator |
| A3 | Left-hand grill element |
| A4 | Right-hand grill element |
| B | Illumination board - right-hand side |
| B1 | Left-hand oven thermostat |
| B2 | Left-hand front switch |
| B3 | Left-hand oven element |
| B4 | Left-hand oven fan |
| F1 | Left-hand oven thermal preset |
| C | Clock |

| Code | Description |
|-----------|--------------------------------|
| D1 | Right-hand oven thermostat |
| D2 | Right-hand oven front switch |
| D3 | Right-hand oven element |
| D4 | Right-hand oven fan |
| F2 | Right-hand oven thermal preset |
| G | Oven light |
| H | Cooling fan |
| J | Illumination switch |
| K | Oven light switch |
| M1 | Grill heat indicator |
| M2 | Left-hand oven heat indicator |
| M3 | Right-hand oven heat indicator |

| Code | Colour |
|------------|--------------|
| b | Blue |
| br | Brown |
| bk | Black |
| or | Orange |
| r | Red |
| v | Violet |
| w | White |
| y | Yellow |
| g/y | Green/yellow |
| gr | Grey |

Multifunction Oven

Elan



Key

The connections shown in the circuit diagram are for single-phase. The ratings are for 230V 50Hz.

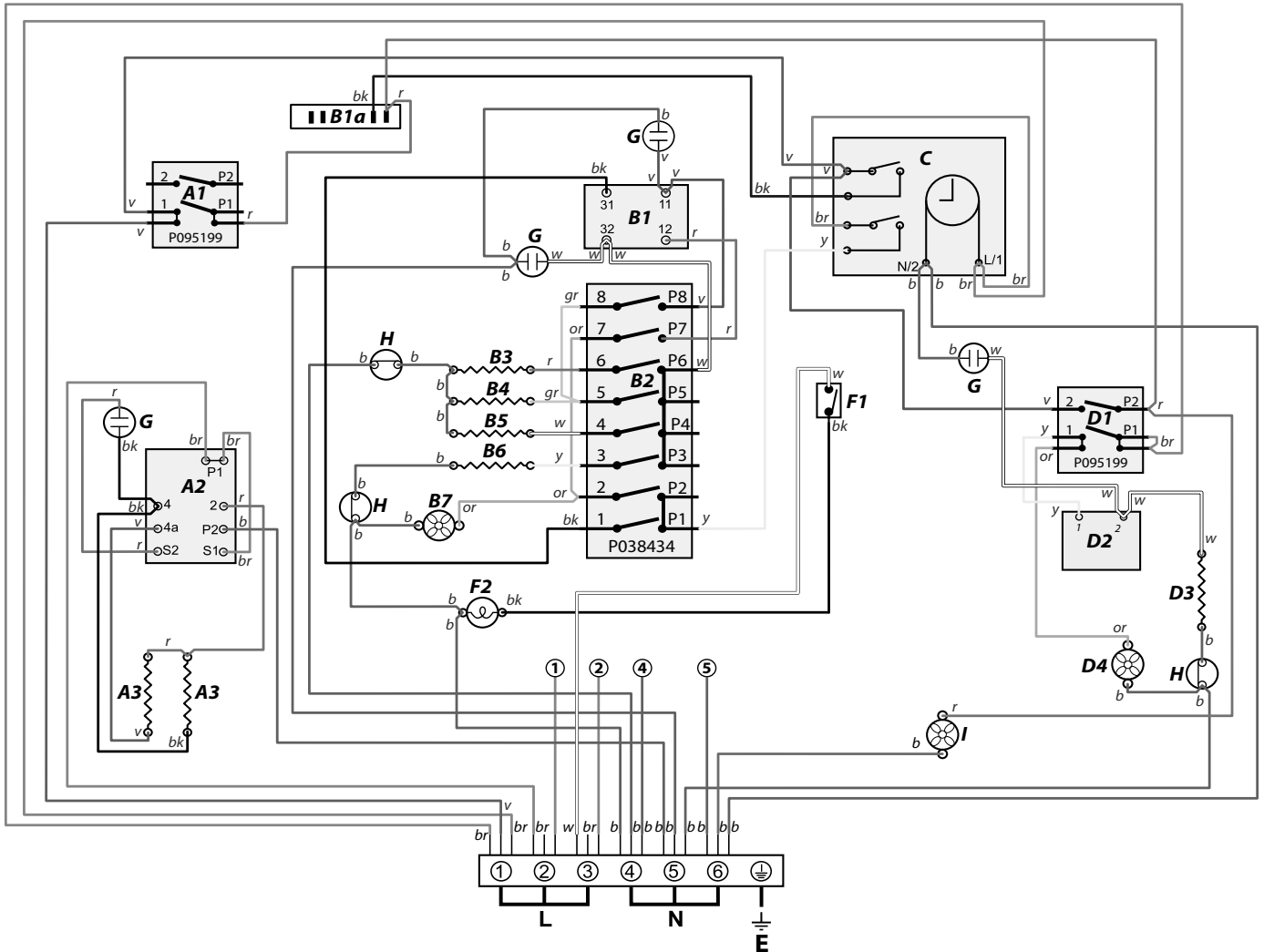
| Code | Description |
|-----------|------------------------------------|
| A1 | Grill front switch |
| A2 | Grill energy regulator |
| A3 | Grill elements |
| B1 | Left-hand oven front switch |
| B2 | Left-hand oven thermostat |
| B3 | Left-hand oven top element (outer) |
| B4 | Left-hand oven top element (inner) |
| B5 | Left-hand oven fan element |
| B6 | Left-hand oven fan |
| B7 | Left-hand oven base element |
| B8 | Left-hand multi-function switch |

| Code | Description |
|-----------|------------------------------|
| C | Clock |
| D1 | Right-hand oven front switch |
| D2 | Right-hand oven thermostat |
| D3 | Right-hand oven element |
| D4 | Right-hand oven fan |
| F1 | Light switch |
| F2 | Oven light |
| G | Neon |
| H | Thermal cut-out |
| I | Cooling fan |

| Code | Colour |
|------------|--------------|
| b | Blue |
| br | Brown |
| bk | Black |
| or | Orange |
| r | Red |
| v | Violet |
| w | White |
| y | Yellow |
| g/y | Green/yellow |
| gr | Grey |

Multifunction Oven

Classic Deluxe and Professional Deluxe



Key

The connections shown in the circuit diagram are for single-phase. The ratings are for 230V 50Hz.

| Code | Description |
|------------|------------------------------------|
| A1 | Grill front switch |
| A2 | Grill energy regulator |
| A3 | Grill elements |
| B1 | Left-hand oven thermostat |
| B1a | Left-hand oven front switch |
| B2 | Left-hand function control |
| B3 | Left-hand oven base element |
| B4 | Left-hand oven top element (outer) |
| B5 | Left-hand oven top element (inner) |
| B6 | Left-hand oven fan element |
| B7 | Left-hand oven fan |

| Code | Description |
|-----------|------------------------------|
| C | Clock |
| D1 | Right-hand oven front switch |
| D2 | Right-hand oven thermostat |
| D3 | Right-hand oven element |
| D4 | Right-hand oven fan |
| F1 | Light switch |
| F2 | Oven light |
| G | Neon |
| H | Thermal cut-out |
| I | Cooling fan |

| Code | Colour |
|------------|--------------|
| b | Blue |
| br | Brown |
| bk | Black |
| or | Orange |
| r | Red |
| v | Violet |
| w | White |
| y | Yellow |
| g/y | Green/yellow |
| gr | Grey |

10. Technical Data

INSTALLER: Please leave these instructions with the user.

DATA BADGE LOCATION: Cooker back, serial number repeater badge below the oven door opening.

COUNTRY OF DESTINATION: GB, IE.

Connection

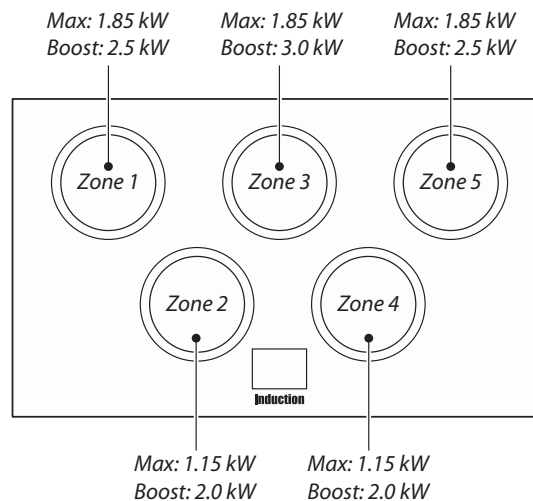
| | |
|----------|-----------------------|
| Electric | 230 / 400V ~ 50 Hz 3N |
|----------|-----------------------|

Dimensions

| | | |
|----------------------------------|--|------------|
| Total height | Min 905 mm | Max 930 mm |
| Total width | 900 mm | |
| Total depth: Elan | 597 mm excluding handles, 697 mm including handles | |
| Total depth: Classic Deluxe | 597 mm excluding handles, 666 mm including handles | |
| Total depth: Professional Deluxe | 595 mm excluding handles, 642 mm including handles | |
| Total depth: Toledo | 596 mm excluding handles, 654mm including handles | |
| Total depth: HI-LITE | 596 mm excluding handles, 650mm including handles | |
| Minimum space above hotplate | 650 mm | |

See "Positioning the Cooker".

Ratings



Hotplate energy saving tips

- Use cookware with a flat base.
- Use the correct size cookware.
- Use cookware with a lid.
- Minimise the amount of liquid or fat.
- When liquid starts boiling, reduce the setting.

Oven energy saving tips

- Cook meals together, if possible.
- Keep the pre-heating time short.
- Do not lengthen cooking time.
- Do not open the oven door during the cooking period.
- Do not forget to turn the appliance off at the end of cooking.

Hotplate Efficiency Data

| | |
|----------------------|---------------------|
| Brand | Rangemaster |
| Model Identification | Professional Deluxe |
| | Classic Deluxe |
| | Elan |
| | Toledo |
| | Hi-LITE |
| Size | 90 |
| Type | Induction |

| | |
|---|-----------|
| Type of Hob | Induction |
| Number of electric zones | 5 |
| Zone 1 - Ø cm | 18.5 |
| Heating Technology | |
| Energy Consumption (ECElectric cooking) - Wh/kg | 180 |
| Zone 2 - Ø cm | 15.5 |
| Heating Technology | |
| Energy Consumption (ECElectric cooking) - Wh/kg | 172 |
| Zone 3 - Ø cm | 18.5 |
| Heating Technology | |
| Energy Consumption (ECElectric cooking) - Wh/kg | 180 |
| Zone 4 - Ø cm | 15.5 |
| Heating Technology | |
| Energy Consumption (ECElectric cooking) - Wh/kg | 172 |
| Zone 5 - Ø cm | 18.5 |
| Heating Technology | |
| Energy Consumption (ECElectric cooking) - Wh/kg | - |
| Zone 6 - Ø cm | - |
| Heating Technology | |
| Energy Consumption (ECElectric cooking) - Wh/kg | |
| Energy Consumption (ECElectric hob) - Wh/kg (*) | 175 |

Information marked thus (*) is not required with mixed fuel hobs

Oven Data

Classic Deluxe, Elan and Professional Deluxe

| | | |
|---|-------------|---------------------|
| Brand | | Rangemaster |
| Model identification | | Classic Deluxe |
| Mass | kg | 114 |
| Model identification | | Elan |
| Mass | kg | 112 |
| Model identification | | Professional Deluxe |
| Mass | kg | 115 |
| Type of oven | | Electric |
| Number of cavities | | 2 |
| Left-hand Efficiency | | |
| Fuel type | | Electric |
| Cavity type | | Multifunction |
| Power - conventional | | 2.2 |
| Power - forced air convection | | 2.5 |
| Volume | Litres | 73 |
| Energy consumption (electricity) - conventional | kWh / cycle | 1.08 |
| Energy consumption (electricity) - forced air convection | kWh / cycle | 0.91 |
| Energy efficiency index - conventional | | 126.1 |
| Energy efficiency index - forced air convection | | 106.2 |
| Energy class | | A |
| Right-hand Efficiency | | |
| Fuel type | | Electric |
| Cavity type | | Fanned |
| Power - conventional | | - |
| Power - forced air convection | | 2.5 |
| Volume | Litres | 67 |
| Energy consumption (electricity) - conventional | kWh / cycle | - |
| Energy consumption (electricity) - forced air convection | kWh / cycle | 0.8 |
| Energy efficiency index - conventional | | - |
| Energy efficiency index - forced air convection | | 96.2 |
| Energy class | | A |
| Additional Information | | |
| The oven complies with EN 60350-1 | | |
| Maximum output @ 230V 50Hz | | |
| Conventional | | 2.2 kW |
| Multifunction | | 2.5 kW |
| Multifunction (with Rapid Response) | | 3.7 kW |
| Forced Air Convection | | 2.5 kW |
| Grill | | 2.3 kW |
| Slow Oven | | - |
| Bread Proving Drawer | | - |
| Maximum total electrical load at 230 V (approximate total including hob, oven lights, oven fan, etc.): | | |
| Classic Deluxe and Professional Deluxe (Rapid Response) | | 16.1 kW |
| Elan | | 14.9 kW |

Oven Data

HI-LITE and Toledo

| | | |
|---|-------------|-------------|
| Brand | | Rangemaster |
| Model identification | | Hi-LITE |
| Mass | kg | 114 |
| Model identification | | Toledo |
| Mass | kg | 113 |
| Type of oven | | Electric |
| Number of cavities | | 2 |
| Left-hand Efficiency | | |
| Fuel type | | Electric |
| Cavity type | | Fanned |
| Power - conventional | | - |
| Power - forced air convection | | 2.5 |
| Volume | Litres | 73 |
| Energy consumption (electricity) - conventional | kWh / cycle | - |
| Energy consumption (electricity) - forced air convection | kWh / cycle | 0.88 |
| Energy efficiency index - conventional | | - |
| Energy efficiency index - forced air convection | | 102.7 |
| Energy class | | A |
| Right-hand Efficiency | | |
| Fuel type | | Electric |
| Cavity type | | Fanned |
| Power - conventional | | - |
| Power - forced air convection | | 2.5 |
| Volume | Litres | 67 |
| Energy consumption (electricity) - conventional | kWh / cycle | - |
| Energy consumption (electricity) - forced air convection | kWh / cycle | 0.8 |
| Energy efficiency index - conventional | | - |
| Energy efficiency index - forced air convection | | 96.2 |
| Energy class | | A |
| Additional Information | | |
| The oven complies with EN 60350-1 | | |
| Maximum output @ 230V 50Hz | | |
| Conventional | | 2.2 kW |
| Multifunction | | 2.5 kW |
| Multifunction (with Rapid Response) | | - |
| Forced Air Convection | | 2.5 kW |
| Grill | | 2.3 kW |
| Slow Oven | | - |
| Bread Proving Drawer | | - |
| Maximum total electrical load at 230 V (approximate total including hob, oven lights, oven fan, etc.): | | 14.9 kW |

Notes

Notes

| | | | | |
|------------------------------|-------------|--------------------------|----------|--------------------------|
| Name of Appliance & Colour* | | | | |
| Appliance Serial Number* | | | | |
| Fuel Type* | Natural Gas | <input type="checkbox"/> | LP Gas | <input type="checkbox"/> |
| | Dual Fuel | <input type="checkbox"/> | Electric | <input type="checkbox"/> |
| Retailer's Name & Address | | | | |
| Date of Purchase | | | | |
| Installer's Name & Address | | | | |
| Installer's Telephone Number | | | | |
| Date of Installation | | | | |

*This information is on the appliance data badge - look in the appliance instructions to find out where the data badge is located.

For warranty compliance, the requirements are that the appliance:

- Has been correctly installed in accordance with current legislation, relevant British and European Standards and Codes of Practice, by a suitably competent person registered with Gas Safe or equivalent body and, where applicable, a qualified electrician.
- Has been used solely for domestic cooking purposes.
- If in use in the UK*, has not been taken abroad as a personal export. (In the Republic of Ireland conditions may vary, so consult your retailer.)
- Is not second-hand or a refurbished appliance. The manufacturer's warranty is not transferable.
- Has not been subject to misuse, accidental damage or modification, and has not deteriorated due to normal domestic wear and tear, and the manufacturer's recommendations concerning cleaning materials have been followed.
- Has not been repaired by persons or organisations other than those authorised to act on behalf of AGA Rangemaster.

Exceptions:

- Items not included under the free 1 year guarantee include pan supports, griddles, wok rings, baking trays, grill pans, trivets, filters, light bulbs and other consumable accessories.
- Any damage caused other than through normal use.
- Breakdowns associated with cooking spillage.
- Cosmetic deterioration deemed to be normal wear and tear.

This warranty is in addition to your Statutory Rights.

* Only certain models can be adapted for use with Mains Gas supplied in the Channel Islands and Isle of Man.

OUT OF WARRANTY

We recommend that Rangemaster appliances are serviced regularly throughout their life to maintain optimum performance and efficiency. Service work should only be carried out by technically competent and suitably qualified personnel.

For your own safety, always make sure that work is carried out by a Gas Safe registered engineer for gas appliances or an approved electrician for electrical models.

For a competitive quote and to arrange for a Rangemaster approved engineer to attend, call Consumer Services on: 0800 804 6261 or 0370 789 5107 from a mobile.

SPARE PARTS

To maintain optimum and safe performance, we recommend that only genuine Rangemaster spare parts are used. These are available from most major spares stockists, including ourselves.

Contact Consumer Services on 0800 804 6261 or 0370 789 5107 from a mobile, who will be happy to help.

STANDARDS

Rangemaster cookers are designed and manufactured to a recognised international quality standard, which meets the requirements of BS EN ISO 9001, BS EN ISO 14001 and OHSAS 18001 for continually improving environmental procedures.

Rangemaster cookers comply with the essential requirements of the appropriate European Directives, and carry the CE mark.

CONSUMER SERVICE

If you have any product enquiries, or in the event of a problem with your appliance once it has been installed, please telephone 0800 804 6261 or 0370 789 5107 from a mobile.

CONSUMER SERVICE LINES OPEN:

Monday to Thursday 8am-6pm
Friday 8am-5pm
Saturday 9am-1pm

WARRANTY

Your manufacturer warranty covers goods of our own brand for defective workmanship and materials for a period of 1 year from the date of purchase. This warranty covers mechanical breakdown and proven cosmetic and manufacturing defects.

You will receive an additional FREE full 12 months guarantee by registering your purchase using the FREEPOST form provided. Alternatively, call free on 0800 587 5747, quoting reference RMGX57A, or register online at www.rangemaster.co.uk.

Any damage, blemishes or chips identified upon receipt of the product must be reported within 90 days - proof of purchase may be required to establish validity. Scratches on the surface of ceramic hobs must be reported within 14 days. Scratches caused by usage are not covered. Accidental damage is not covered by the manufacturer's warranty.

Designed to impress
The Co-ordinating Collection.

• Refrigeration • Sinks & Taps • Hoods & Splashbacks • Built-in Cooking • Dishwashing



Built from experience

Clarence Street
Royal Leamington Spa
Warwickshire
CV31 2AD
England

Consumer Services: +44 (0)800 804 6261 or (0)370 789 5107 from a mobile.

Fax: +44 (0)1926 450526

E-mail: consumers@agarangemaster.co.uk

www.rangemaster.co.uk

For UK Trade Enquiries Tel: +44 (0)115 946 4000

Fax: +44 (0)115 973 6602

E-mail: sales@agarangemaster.co.uk

For ROI Enquiries Tel: 1850 302 502

Rangemaster is a trading name of AGA Rangemaster Limited

Registered in England and Wales. Registration No. 354715

Registered Office: Juno Drive, Leamington Spa, Warwickshire, CV31 3RG

AGA RANGEmaster



Rangemaster continuously seeks improvements in specification, design and production of products and thus, alterations take place periodically. Whilst every effort is made to produce up-to-date literature, this brochure should not be regarded as an infallible guide to current specification, nor does it constitute an offer for the sale of any particular appliance.

