

# **TOPAZ, PRATO & ORIDIAN INSET GRANITE SINKS**

## **Installation Instructions & Aftercare Information**

# **RANGEMASTER**

08-000025-01

## Notes:

## Notes:

## Notes:

# Installation

## Installer

Please leave this leaflet with the use, as it contains valuable after care advice.

## Notes

- ⚠ **During installation, take care to protect the sink from scuffs and scratches.**
- ⚠ **Do not stand on the sink.**
- ⚠ **During installation, do not stand the sink on its edges or corners. This may cause damage.**
- ⚠ **Avoid straining and over tightening of all plumbing fixtures connected to the sink.**
- ⚠ **Carefully check that the moulding and edges of the sink are dead level so that water will flow off the drainer (if applicable to sink).**
- ⚠ **The clamping brackets are suitable for worktops of between 10–45 mm thickness. According to the height of your worktop, please follow proper figures (A, B or C) (Fig. 1.1).**
- ⚠ **You will only need to use the spacer when fitting worktops <25mm (D) (Fig. 1.1).**

## Preparing the Worktop

### Marking Out the Opening

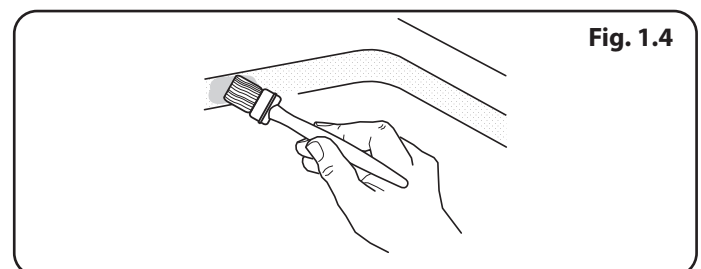
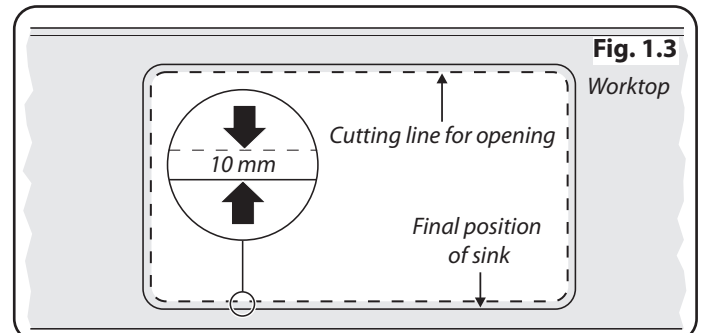
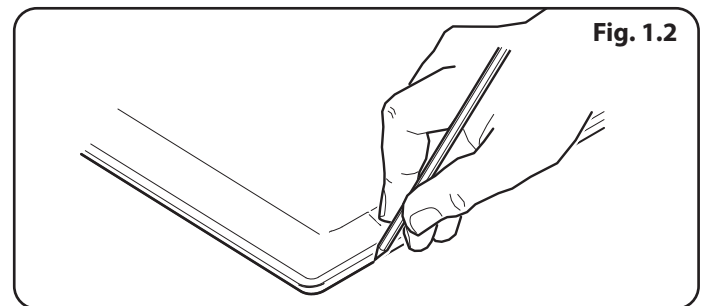
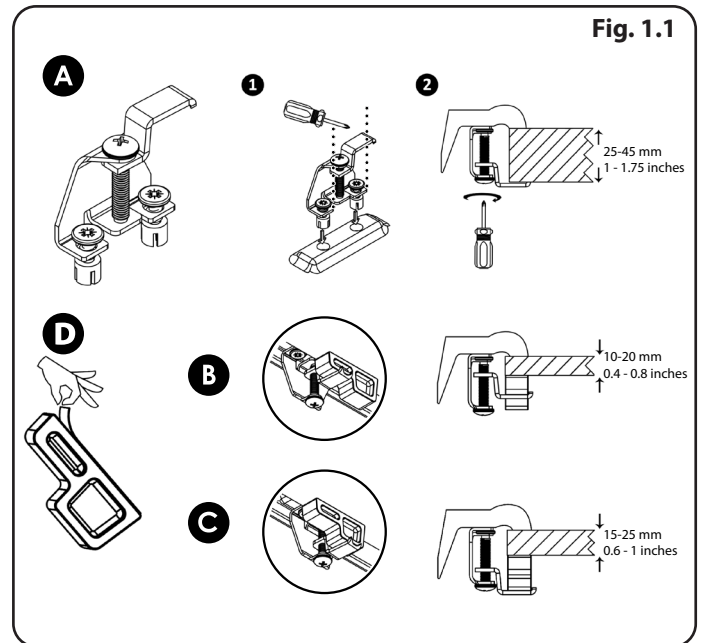
We recommend that you fit the sink to the worktop before permanently fixing the worktop to the cabinet.

1. Place the sink upside down on the worktop. Position the sink on the worktop as required. Make sure the cabinet framework will clear all parts of the sink. Using a soft, sharp pencil draw around the sink as accurately as possible (Fig. 1.2). Remove the sink.
2. Draw another line 10 mm inside the sink top outline – this is the cutting line for the opening (Fig. 1.3).
3. Drill as large a hole as possible inside the cutting line. Using a pad saw, jigsaw or similar, cut out the opening up to the cutting line.

Alternatively, you can use the sink templates supplied or the figures given in **Table 1.1**, dependent on sink being installed.

### Sealing the Edges of the Opening.

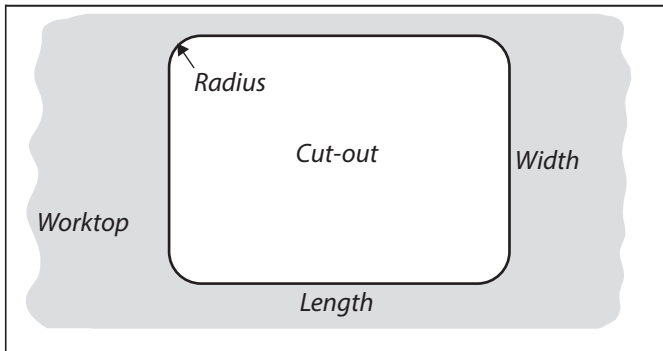
We recommend that porous edges around the are sealed using a waterproof sealant such as varnish, paint or wood glue . This will prevent swelling of the worktop should any small leaks occur (Fig. 1.4).

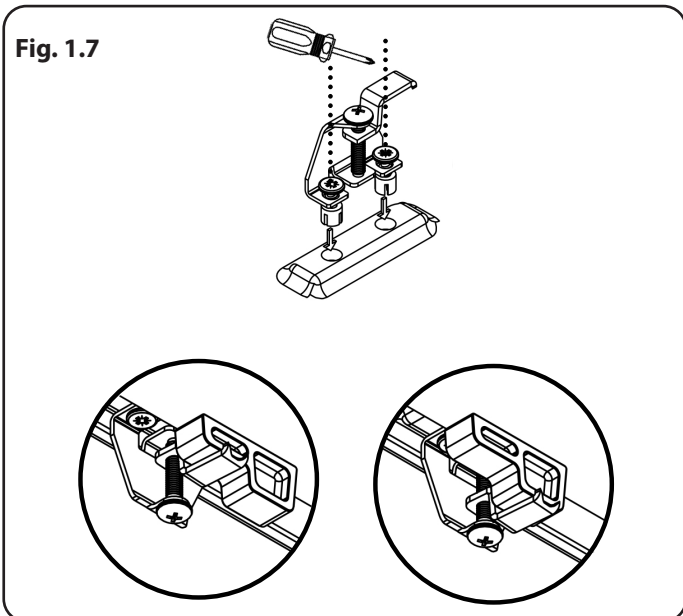
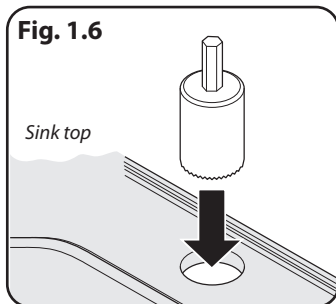
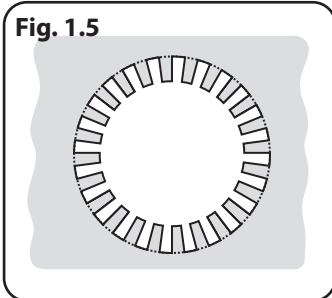


## Cut Out Dimension

Table 1.1

Range	Product Name	Code	Length (mm)	Width (mm)
Topaz	Topaz Compact Single Bowl	TOP860_/_/	840	480
	Topaz Single Bowl	TOP1001_/_/	980	480
	Topaz 1.5 Bowl	TOP1002_/_/	980	480
Oridian	Oridian Single Bowl	ORI570_/_/	550	480
	Oridian Large Bowl	ORI7901_/_/	770	480
	Oridian 1.5 Bowl	ORI5902_/_/	570	480
	Oridian 2 Bowl	ORI7902_/_/	770	480
Prato	Prato Single Bowl	PRA570_/_/	550	480
	Prato Large Single Bowl	PRA790_/_/	770	480





## Preparing the Sink

### Tap Hole Preparation

Tap hole locations are part cut into the underside of the sink. The upper section of the tap hole will have to be knocked out. **ALWAYS** knock out from the top of the sink and NOT the underside, this may damage the front top surface of the sink. After deciding which tap hole to use, mark the location of the tap hole centre onto the front face of the sink using a soft pencil (This may already be marked with a coloured adhesive dot). The area around the rear of the tap hole will require support. Place the tip of a screwdriver or similar tool on the marked position, ensuring that the shaft of the screwdriver is at 90° to the sink surface (**NOT** angled). Strike the screwdriver with a hammer. The upper section of the tap hole should knock out.

The tap hole will have rough edges. Use a suitable rasp to smooth the edges of the hole. Always work towards the sink surface avoiding upward strokes that may chip the sink surface.

For fittings with a larger shaft diameter than 35 mm, the pre-drilled holes must be enlarged. Use a fret saw with a metal cutting saw and enlarge the hole as shown in (Fig. 5). Then carefully remove the 'teeth' with pliers. Do not use force!

### Drilling a Hole for Soap Dispensers or Other Devices.

- ⚠ **Before drilling please read safety instructions supplied with hole saw.**
- ⚠ **The front face must be fully supported to prevent cracking when drilling or cutting.**
- ⚠ **WARNING! Any machining operation will produce fine particles of dust. Drilling or cutting must be carried out in a well-ventilated area.**

If a hole is required, but has not been supplied in the sink, proceed as follows:

1. Decide whether the bowl is to be left or right handed when the sink is fitted. You will require a 35 mm diamond tipped hole saw (not supplied).
2. Using a 35 mm hole saw, carefully cut out the tap hole (Fig. 1.6).

## Clip Preparation

### Screw down fixing

1. Locate the clamps then give a gentle tap to secure in the slot (Fig. 1.7).
2. Screw the camps into position.

## Waste Fittings

Fit the waste fittings to the sink using the instructions supplied with them.

## Applying the Silicon Sealant

- ⚠ **DO NOT use Epoxi sealant or Epoxi adhesive.**

### Top Mounted Sinks

Apply silicon sealant (not supplied) to the underside of the sink rim.

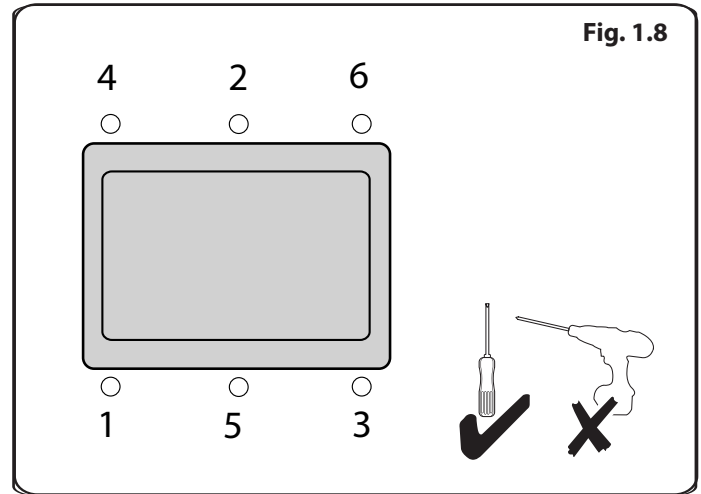
# Fitting the Sink

## Top Mounted Sinks

1. Turn the sink upside down and lay the worktop over the sink. Swing each clip into place – this is the most effective method, although if the worktop has been fitted to the cabinet the sink can be placed in the opening and fixed in position from underneath.
2. Centre the sink. Tighten the fixing screws in the sequence shown in **Fig. 1.8**.

**⚠ DO NOT tighten fully at first attempt.**

Remove any surplus sealing material or wipe away any excess sealant.



## After Care

### Day-to-day care

Although your sink is made from extremely durable materials and will withstand a great deal of hard use, it can be scratched by hard or sharp objects. If the surfaces are to be kept in a blemish free condition reasonable care should be taken when handling such items.

**DO NOT** use the drainer as a chopping board (Topaz).

### Cleaning

**DO NOT** use abrasive cleaning creams or powders, concentrated caustic soda, formic acid or anything highly corrosive.

**DO NOT** attempt to remove limescale by scraping it off.

Please refer to [www.rangemaster.co.uk](http://www.rangemaster.co.uk) for a full guide to cleaning your sink.

### 25 YEAR GUARANTEE

We guarantee to replace any igneous granite sink that breaks due to material or manufacturing defects within 25 years from the date of purchase.

The guarantee does not cover normal wear and tear occurring through use of the product.

For the guarantee to apply the owner must follow the use, care and cleaning instructions provided.

Accessories and waste fittings are not included in this guarantee.



## RANGEMASTER

Meadow Lane, Long Eaton,  
Nottingham, NG10 2GD, England  
Trade Enquiries: +44 (0)115 946 4000  
Consumer Enquiries: +44 (0)1926 457628  
E-mail: [consumers@agarangemaster.co.uk](mailto:consumers@agarangemaster.co.uk)  
[www.rangemaster.co.uk](http://www.rangemaster.co.uk)

23

EN 13310 : 2015

Kitchen sink made of:	Granite / Composite
Cleanability:	Pass
Load resistance:	NPD / N/A
Durability:	Pass