

Installation Operation and Maintenance Instructions

Refrigerated
Wine Storage Unit with
MicroSentry™ Refrigeration Monitor
RWS60

Note: This appliance is intended to be used exclusively for the storage of wine.



TABLE OF CONTENTS

Unpacking your wine storage unit	2
Removing the packaging.....	2
Warranty Registration	2
Installing your wine storage unit	3
Selecting the location.....	3
Cabinet Clearances	3
Leveling legs	3
Electrical Connection	4
Using Your MicroSentry™ Control.....	5
Dimensions for RWS60 glass door.....	7
Recommended Rough in Opening Dimensions for RWS60 glass door.....	7
Features	8
Care and Cleaning	9
Cleaning condenser air flow.....	9
Cleaning the cabinet.....	9
Cleaning the interior.....	9
Cleaning the wine shelves.....	9
Cleaning the door gasket.....	9
Replacing the light bulb.....	9
Aligning the door	10
Energy Saving Tips	11
Troubleshooting Guide.....	12
Obtaining Service	13
Guarantee	13
Appendix A additional MicroSentry™ features.....	14

NOTE

This appliance is not intended for use by persons (including children) with reduced physical, sensory, or mental capabilities, or lack of experience and knowledge, unless they have been given supervision or instruction concerning use of the appliance by a person responsible for their safety.

This product contains the following fluorinated greenhouse gases.

- HFC245fa - GWP = 950
- HFC134a - GWP = 1300

Important Safety Instructions

Warnings and safety instructions appearing in this guide are not meant to cover all possible conditions and situations that may occur. Common sense, caution, and care must be exercised when installing, maintaining, or operating this appliance.

Recognize Safety Symbols, Words, and Labels.

CAUTION

CAUTION-Hazards or unsafe practices which could result in personal injury or property or product damage.

WARNING

WARNING-Hazards or unsafe practices which could result in personal injury.

NOTE

NOTE-Important information to make a problem free installation.

Remove Packaging

Your wine storage unit has been packed for shipment with all parts that could be damaged by movement securely fastened. Cut the banding material at the bottom of the carton, unfold the carton at the bottom and remove the carton from the appliance. Remove the plastic bag, styrofoam corner posts, and any tape holding the door closed and internal components in place. The owners manual is shipped inside the wine storage unit in a plastic bag.

Important

Keep your carton packaging until your wine storage unit has been thoroughly inspected and found to be in good condition. If there is damage, the packaging will be needed as proof of damage in transit. Afterwards please dispose of all items responsibly in particular the plastic bags which can be a suffocation hazard.

Note to Customer

This merchandise was carefully packed and thoroughly inspected before leaving our plant. Responsibility for its safe delivery was assumed by the retailer upon acceptance of the shipment. Claims for loss or damage sustained in transit must be made to the retailer.

DO NOT RETURN DAMAGED MERCHANDISE TO THE MANUFACTURER - FILE THE CLAIM WITH THE RETAILER.

CAUTION

If the unit was shipped or has been laying on its back for any period of time allow the wine storage unit to sit upright for a period of at least 24 hours before plugging in. This will assure oil returns to the compressor. Plugging the wine storage unit in immediately may cause damage to internal parts.

Warranty Registration

It is important to register your product as soon as possible after taking delivery of your wine storage unit. You can register online at www.rangemaster.co.uk.

The following information will be required when registering your unit.

Model Number
Serial Number
Date of Purchase
Supplier's name and address
Installer's name and address

The model number and serial number can be found on the data badge which is located inside the wine storage unit on the left side toward the top of the cavity.

CAUTION

Help Prevent Tragedies

Child entrapment and suffocation are not problems of the past. Junked or abandoned refrigerators are still dangerous, even if they sit out for "just a few days".

If you are getting rid of your old refrigerator, please follow the instructions below to help prevent accidents.

Before you throw away your old refrigerator or freezer:

- Take off the doors or remove the drawers.
- Leave the shelves in place so children may not easily climb inside.

INSTALLING YOUR WINE STORAGE UNIT

Select Location

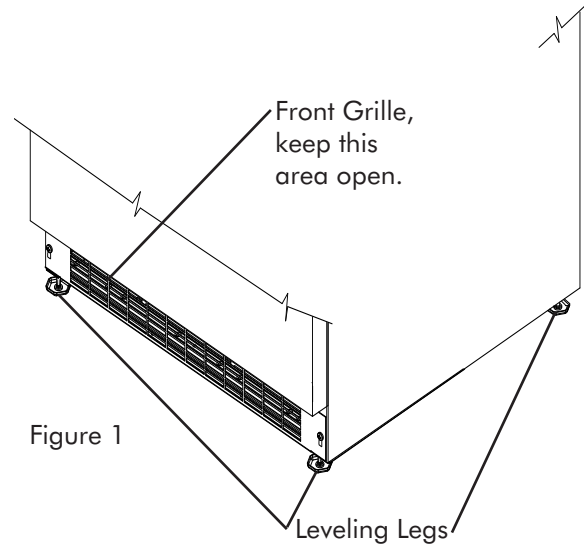
The proper location will ensure peak performance of your appliance. We recommend a location where the unit will be out of direct sunlight and away from heat sources. To assure your product performs to specifications the recommended installation location temperature range is from 18 to 27°C for indoor built in units, 18 to 32°C for indoor freestanding units.

Cabinet Clearance

Ventilation is required from the bottom front section of the unit. Keep this area open and clear of any obstructions. Adjacent cabinets and counter top can be installed around the unit as long as the grille and door access remain unobstructed.

Leveling Legs

Adjustable legs at the front and rear corners of the unit should be set so the unit is firmly positioned on the floor and level from side to side and front to back. Turn leveling legs clockwise to raise unit, counterclockwise to lower it. (See Figure 1).



⚠ CAUTION

Front Grille

Do not obstruct the front grille. The openings within the front grille provide air to flow into and exit from the refrigerator condenser. For this reason it is important this area to not be obstructed and be kept clean. Rangemaster does not recommend the use of custom made grilles as air flow may be restricted because of inadequate openings. (See Figure 1).

Electrical Connection

Use nominal 230 VAC, 50 Hz only.

⚠ CAUTION

Do not use an extension cord with this appliance.

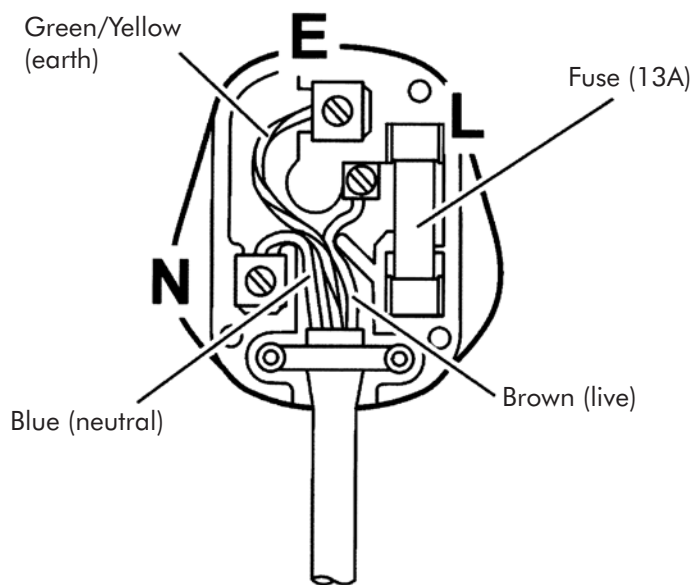


Figure 2

⚠ WARNING

THIS APPLIANCE MUST BE EARTHED. All external wiring must comply with the IEE Regulations for the Electrical Equipment of Buildings. Connections to the electrical supply can be made with either a plug and socket or be permanently wired via a double-pole switch.

The appliance is supplied with a 250VAC PVC (85 degrees C) core cable (0.5mm x 2 metres long). Any replacement cable fitted must follow this specification. The unit may be supplied with either a moulded or rewirable plug. Should the plug not fit the socket at the installation site, it should be removed and replaced with the correct type of plug.

If a moulded plug is fitted which is not suitable, it must be removed and disposed of. To avoid the risk of electrocution, a plug must not be left where a child may plug it into a supply socket. It must not be used for any other appliance. A three pin plug to BS 1363 with a capacity of not less than

13A must be used and fitted with a 13A fuse "ASTA" approved to BS 1363.

If you replace the fuse, the cover must be refitted. If the cover is lost, the plug must not be used until a replacement has been obtained from your supplier. The color of the fuse cover is that of the insert in the base of the fuse recess or elsewhere on the plug. Always state this color when ordering a replacement cover.

If your appliance has a moulded plug, you do NOT have to do the following assembly as shown in Figure 2. Appliances with moulded plugs are ready to use as is.

IMPORTANT: The wires should be connected to the terminals of the plug as follows:

- Earth to the terminal marked E or coloured Green or Green/Yellow.
- Neutral to the terminal marked N or coloured Blue.
- Live to the terminal marked L or coloured Brown.

When wiring the plug, ensure that all strands of wire are retained in each terminal. The flexible main cable, plug and socket must not be exposed to flue products or be allowed to come in contact with a hot surface. The cable must not be trapped or pulled taut when the appliance is pushed into position.

THIS UNIT SHOULD NOT, UNDER ANY CIRCUMSTANCES, BE UNEARTHED.

USING YOUR MicroSentry™ REFRIGERATION MONITOR

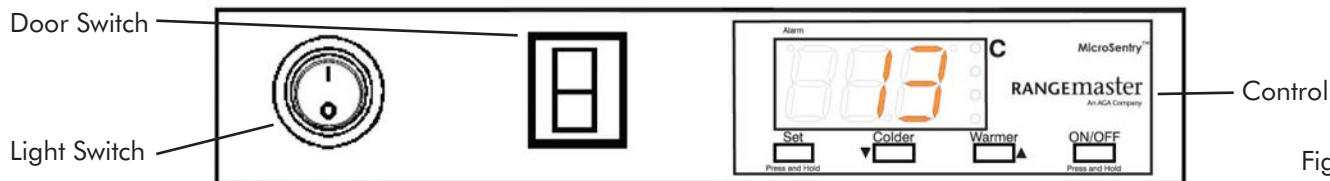


Figure 3

NOTE

During initial startup, or anytime power is interrupted, there will be an approximate 5 minute delay before the refrigerator starts. During this period the controller will be assessing the temperature in the refrigerator and the display will appear erratic, this is normal. The desired temperature set point can be programmed during this start up period.

Starting your refrigerator

The refrigerator will begin start up when initially plugged in or when power resumes after a power outage. At this time the refrigerator will take approximately 5 minutes to begin running as noted above. If the refrigerator has been turned off during use, "OFF" will appear on the display. To start the refrigerator from the "OFF" position press and hold the ON/OFF button for 3 seconds.

Set temperature

To set temperature set point, press and continue to hold "SET" button. After one second, set point will be displayed. While holding "SET" button use the "WARMER" or "COLDER" button to desired set point.

NOTE

Momentarily pressing & releasing "SET" button will access information menu of control. Refer to appendix A for information on this feature.

Refrigerator operation

The available temperature range of the refrigerator is 4° to 18° C.

It may take up to 24 hours for your refrigerator to reach desired temperature. This will depend on amount of contents loaded and number of openings and closings of the door.

For best results allow refrigerator to "pull down" to desired set point before loading. Once contents are loaded, allow at least 48 hours for temperature to stabilize before making any adjustments to the set point.

Alarms

Your MicroSentry™ refrigerator control will monitor refrigerator function and alert you with a series of audible and visual alarms.



• **Door Ajar Alarm:** If the door has been left open for over five (5) minutes, the alarm will sound in one (1) second intervals. The display panel will flash "do" and the LED light will be a steady amber color. This will stop as soon as the door is closed.



• **High and Low Temperature Alarm:** If your unit reaches an unacceptable temperature outside of your set point, the alarm will sound in one (1) second intervals. The display panel will flash either "hi" or "Lo" depending upon the condition and the LED light will be a steady amber color. "hi" indicates that the temperature is 5.5°C above the set point and "Lo" indicates that the temperature is 5.5°C below the set point. The alarm will remain active until the condition is corrected.



NOTE

During initial appliance start-up, the high temperature alarm may sound until the interior temperature reaches set point.



• **Temperature Sensor Fault:** If the controller detects that the temperature sensor is not properly functioning, a temperature sensor alarm will sound. "E1" will flash on the display, and an alarm will sound. Please call Rangemaster Customer Service or your dealer if this error code is displayed.

• **Condenser Needs Cleaning:** When the refrigerator has reached the recommended amount of run time to necessitate cleaning the air flow, "cl" will flash on the display as a reminder. See the "Care and Cleaning" section for cleaning instructions.

To clear the alarm:

- 1) Press and release the "SET" button four times.



"cnd" will be displayed on the screen.

- 2) While "cnd" is displayed, press and hold the "SET" button. The display will show the number of weeks the refrigerator has been running.
- 3) While holding the "SET" button, press and release the ON/OFF button. The number shown on the display will reset to 0.
- 4) Release the "SET" key.

Alarm Mute

Press any key to mute the audible portion of an alarm,.

NOTE

This action will only mute the alarm. If the condition that caused the alarm continues, the alarm code will continue to flash and will sound for 20 seconds every 60 minutes.

Turning Refrigerator Off

To turn refrigerator off, press and hold "ON/OFF" button

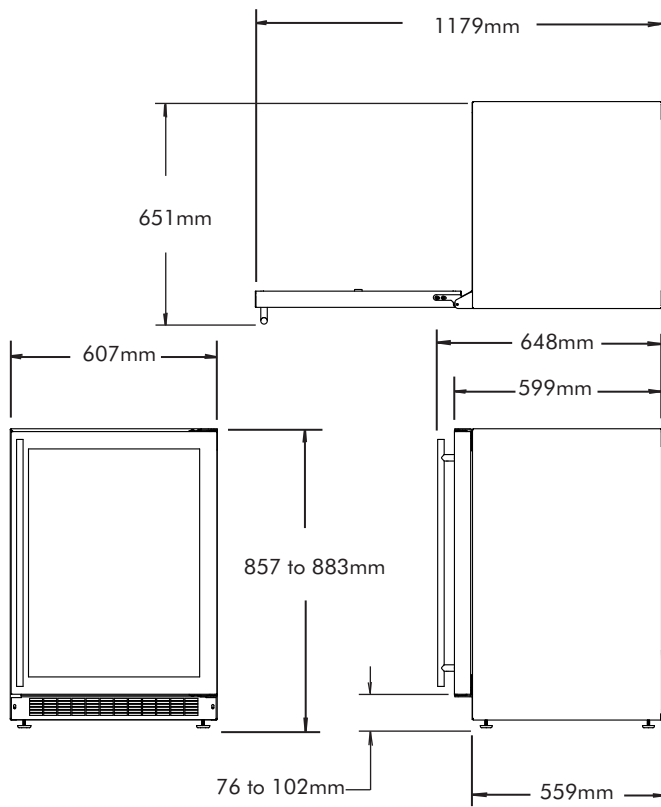


for three (3) seconds. "OFF" will appear on the display.

Additional MicroSentry™ Features

Refer to Appendix A for details on additional features available.

DIMENSIONS FOR RWS60

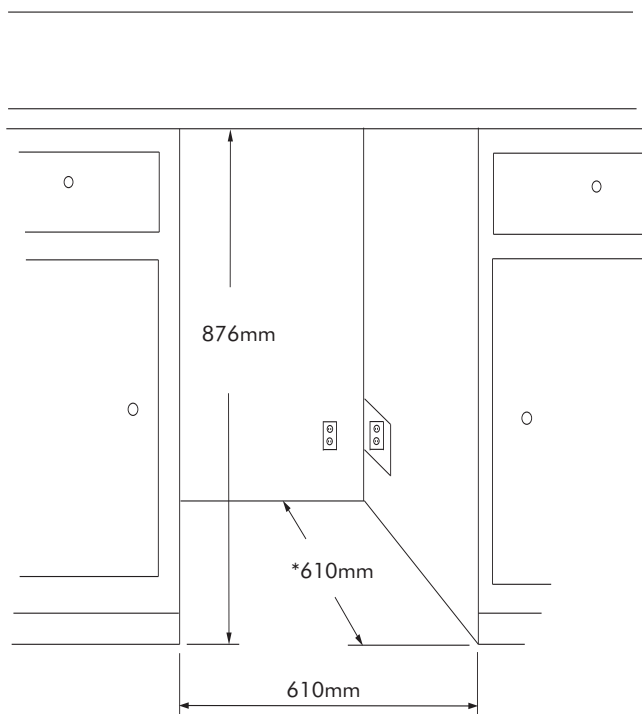


INSTALLER: Please leave these instructions with the user.
DATA BADGE LOCATION: Front left-hand side of the refrigerator compartment.
COUNTRY OF DESTINATION: GB/IE

Ratings

Electrical-voltage/frequency	220-240 V / 50Hz
Energy efficiency class on a scale of A (more efficient) to G (less efficient)	B
Climate class (SN=10-32°C, N=16-32°C, ST=18-38°C, T=18-43°C)	T
Temperature range (from > to)	4.4 to 18.3°C
Gross capacity	175 litres
Net capacity	45 bottles
Energy consumption/year	184 kWh/yr
Energy consumption (EN153)	0.50 kWh/24 hrs
Max noise level	50 db(A)

Rough In Opening Dimensions for RWS60



⚠ CAUTION

Electrical Requirements: 230 volts, 1.7 amps running max. A three pin earthed receptacle required.

Power outlet can be located in the back wall behind unit. Add 19mm to depth for thickness of plug, or recess outlet 19mm into the wall. Power outlet can also be installed in adjacent cabinetry with a cutout for routing of power cord. Follow all local building codes when installing electrical and unit.

Product weight = 54 kg

* Depth dimension may vary depending on each individual installation.

RWS60 WINE STORAGE UNIT FEATURES

Insert Wine Bottles

The four (4) pull-out shelves each hold eight (8) bottles. See Figure 4 for typical wine bottle spacing. Tall bottles should not be loaded on the bottom rack because they may prevent the door from closing. The display shelf at the top of the cabinet holds seven bottles. Also, there is a fixed, wooden, bottle cradle in the bottom, step section of the cabinet. Six (6) bottles of wine may be stored there.

Loading Tips and Suggestions

Position white wines on the middle or lower racks and red wines on the upper racks (see Figure 5). Two (2) magnums can be placed in the bottle cradle as long as they are positioned horizontally.

The bottles on the top rack directly under the light will be exposed to a slightly higher temperature when the light is on. Position your wines accordingly and **REMEMBER TO TURN OFF THE LIGHT WHEN IT IS NO LONGER NEEDED.**

Keep wines that you plan to use for everyday drinking and entertaining on the front half of the racks where labels are completely visible. Place wines for aging or longer term storing in the rear.

Pull-out Racks

The four (4) pull-out wine racks may be pulled out approximately 190mm to facilitate adding or removing bottles. **DO NOT** lean on or press down heavily on the wine shelves. Doing so may damage the shelves and the wine bottles stored on them. Pull the wine racks out gently and carefully to minimize unsettling your wine collection. **AVOID** pulling out more than one rack at any time to maintain stability.

Single Bottle Racks

Since bottles are not stacked on top of each other, you can easily view and access your inventory without disturbing other bottles (see Figure 6).

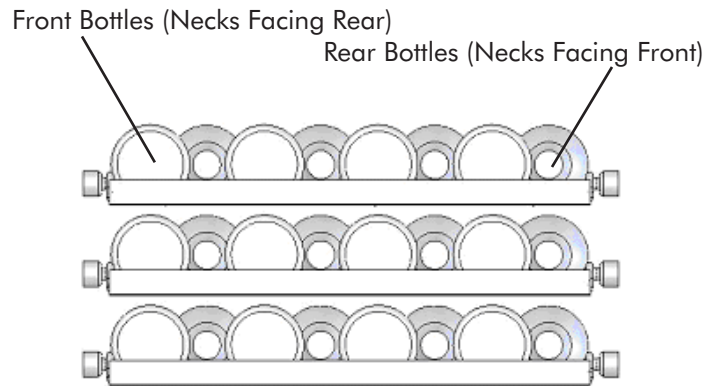


Figure 4

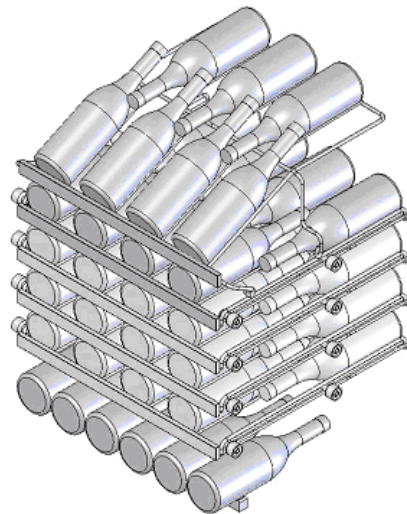


Figure 5

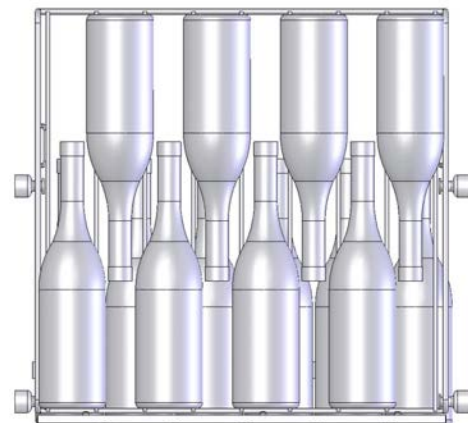


Figure 6

CARE AND CLEANING

Condenser

The condenser underneath the cabinet does not require frequent cleaning; however, satisfactory cooling depends on adequate ventilation over this heat exchanger. It is recommended to annually clean the condenser by vacuuming and brushing. To access the condenser, the unit must be pulled out from the installation, and the lower machine compartment access cover removed.

WARNING

Disconnect the power cord before removing the access cover.

Be sure that nothing obstructs the required air flow openings in front of the cabinet. At least once or twice a year, brush or vacuum lint and dirt from the front grille area (see page 3).

Cabinet

The painted cabinet can be washed with mild soap and water and thoroughly rinsed with clear water. NEVER use abrasive scouring cleaners.

Interior

Wash interior compartment with mild soap and water. Do NOT use an abrasive cleaner, solvent, polish cleaner or undiluted detergent.

Pull-out Racks

The racks may be cleaned with mild soap and water and a soft cloth. Do NOT use any abrasive cleaners.

Glass Door

Use a glass cleaner or mild soap and water and soft cloth to clean the glass door model. Do NOT use any abrasive cleaners.

Door Gasket

The vinyl gasket may be cleaned with mild soap and water, a bicarbonate of soda solution, or a mild scouring powder.

Light Bulb Replacement

WARNING

DISCONNECT THE POWER CORD BEFORE ATTEMPTING LIGHT BULB REPLACEMENT. Failure to do so may result in an electrical shock that could severely injure you.

The RWS60 uses one, 25 watt incandescent light bulb to illuminate the interior of the wine storage unit. The light bulb is a very reliable electrical component, but should it not function properly, please call the dealer where you purchased your wine storage unit from for a replacement light bulb. Use only an original equipment light bulb from your dealer or Rangemaster.

Do NOT under any circumstance use a light bulb that exceeds 25 watts!

To replace the light bulb, disconnect power to the unit. Unscrew the old light bulb located behind the display housing at the top of the unit. Set the old light bulb aside. Screw the new light bulb into place. Reconnect power to the unit. Check to see if the light bulb operates properly to complete the installation.

The light bulb is not covered by your warranty. A replacement bulb can be obtained from your dealer or from Rangemaster.

In the Event of a Power Failure

If a power failure occurs, try to correct it as soon as possible. Minimize the number of door openings while the power is off so as not to adversely affect the unit's temperature.

NOTE

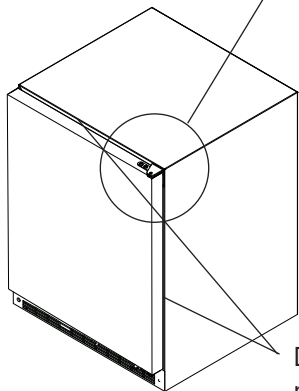
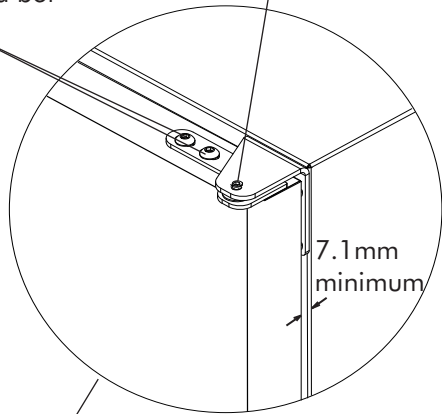
If a power interruption occurs, the unit may take 5 to 10 minutes to restart.

Door alignment

The door should be parallel to the sides and top of the refrigerator. If alignment is necessary the door may be adjusted by loosening the 2 screws which secure the hinge adapter brackets to the door and adjusting the door side to side. Use a 5/32" hex key for this procedure. (See Figure 7 below).

Hinge adapter screws, loosen these to adjust door, on the top and bottom of the door.

Remove the top hinge pin to remove the door.



Door must be parallel to top and sides of refrigerator.

Figure 7

NOTE

NOTE: For door closer to work properly it is necessary to maintain a minimum space of 7.1 mm between door and cabinet flange as shown. This space can be adjusted by adjusting the top and bottom hinge adapters.

ENERGY SAVING TIPS

The following suggestions will minimize the cost of operating your refrigeration appliance.

1. Do not install your appliance next to a hot appliance, (cooker, dishwasher, etc.). heating air duct, or other heat sources.
2. Install product out of direct sunlight.
3. Assure the toe grille vents at front of unit beneath door are not obstructed and kept clean to allow ventilation for the refrigeration system to expel heat.
4. Plug your appliance into a dedicated power circuit. (Not shared with other appliances).
5. When initially loading your new product, or whenever large quantities of warm contents are placed within refrigerated storage compartment, minimize door openings for the next 12 hours to allow contents to pull down to compartment set-point temperature.
6. Maintaining a relatively full storage compartment will require less appliance run time than an empty compartment.
7. Assure door closing is not obstructed by contents stored in your appliance.
8. Allow hot items to reach room temperature before placing in product.
9. Minimize door openings and duration of door openings.
10. Use the warmest temperature control set-point that meets your personal preference and provides the proper storage for your stored contents.
11. For wine storage products:
 - a. When serving temperatures are not required, return the compartment(s) set-point to the ideal red and white wine long term storage temperature of 13°C / 55°F.
 - b. For Dual-Zone product with two (2) independent temperature controlled compartments, use the lower compartment for the coldest storage / serving temperature, (i.e.- red wines on top, white wines in lower).
12. Minimize use of display lighting option on glass door products, (light stays on with door closed).
13. When on vacation or away from home for extended periods, set the appliance to warmest acceptable temperature for the stored contents.
14. Set the control to the "off" position if cleaning the unit requires the door to be open for an extended period of time.
- 15) Annually clean condenser heat exchange coil located in machine compartment underneath unit, (see "Care and Cleaning" page 9).

TROUBLESHOOTING YOUR WINE STORAGE UNIT

Before You Call for Service

If the unit appears to be malfunctioning, read through this manual first. If the problem persists, check the troubleshooting guide below. Locate the problem in the guide and refer to the cause and its remedy before calling for service. The problem may be something very simple that can be solved without a service call. Some remedies listed in the Troubleshooting Guide are very complex. Consulting or contracting a qualified service technician may be necessary.

If You Do Need Service

If you do need service, contact your dealer or Rangemaster. In any correspondence, refer to the model number and serial number of your unit which is located on the upper left hand side of the wall liner. Retain your proof of purchase.

Please complete the appliance details below and keep them safe for future reference. This information will enable us to accurately identify your particular appliance and help us to help you. Filling this in now will save you time and inconvenience if you later have a problem with your unit.

WARNING

Electrocution Hazard - Never attempt to repair or perform maintenance on the unit until the main electrical power has been disconnected.

For Your Records	
Date of purchase	
Dealer's Name	
Dealer's Address	
Dealer's Town	
Dealer's County	
Dealer's Post Code	
Appliance Serial Number	
Model Number	

Problem	Possible Cause	Remedy
Unit not cold enough.	<ul style="list-style-type: none"> Control set too warm. Airflow to front grille blocked. Excessive usage or prolonged door openings. Door gasket not sealing properly. 	<ul style="list-style-type: none"> Adjust temperature colder. See "Set Temperatures" on page 5. Allow 24 hours for temperature to stabilize. Airflow must not be obstructed to front grille. See "clearances" on page 3. Allow temperature to stabilize for at least 24 hours. Adjust or replace door gasket.
Unit too cold.	<ul style="list-style-type: none"> Control set too cold. 	<ul style="list-style-type: none"> Adjust temperature warmer. (See page 5, "set temperature"). Allow 24 hours for temperature to stabilize.
No interior light.	<ul style="list-style-type: none"> Failed light bulb. 	<ul style="list-style-type: none"> Replace light bulb, see page 9.
Light will not go out when door is closed.	<ul style="list-style-type: none"> Door not activating light switch. 	<ul style="list-style-type: none"> Verify cabinet is level, refer to page 3 for leveling instructions. Verify the door is aligned properly, refer to page 10 for instructions.
Noise or Vibration.	<ul style="list-style-type: none"> Unit not level. 	<ul style="list-style-type: none"> Level unit, see "Leveling Legs" on page 3.
Unit will not run.	<ul style="list-style-type: none"> Unit turned off. Power cord not plugged in. No power at outlet. 	<ul style="list-style-type: none"> Turn unit on. See "Starting your refrigerator" on page 5. Plug in power cord. Check house circuit.

HOW TO OBTAIN SERVICE AND GUARANTEE

How to Obtain Service

In the unlikely event that you have a problem with your wine storage unit, please refer to your user's documentation first to check that you are using the unit correctly.

If you are still having difficulty, you can ring our Consumer Services Centre on the number below, where one of our coordinators will be pleased to advise you.

Rangemaster Consumer Services on 0870 789 5107

If you experience a technical failure and require an engineer to call, please contact our service provider directly, on the number below to make an appointment. Please have your unit's serial number on hand when you ring.

Service Provider on 0870 789 5107

Please note: If you request an engineer to visit and the fault is not the responsibility of Rangemaster, our service provider reserves the right to make a charge.

Appointments not kept by you may be subject to a charge.

Out of Warranty

We recommend that Rangemaster appliances are serviced regularly throughout their life to maintain the best performance and efficiency.

Service work should only be carried out by technically competent and suitably qualified personnel. For your own safety, always ensure that work is carried out by an approved electrician.

Electricians can be found listed in the Yellow Pages.

Spare Parts

To maintain optimum and safe performance, we recommend that only genuine Rangemaster spare parts are used.

These are available from your Rangemaster retailer and from:

Cowley Components Ltd.
Masons Road
Stratford upon Avon
Warwickshire
CV37 9NR
Tel: 01789 269667
Fax: 01789 415623

Free 1st Year Parts & Labour Guarantee

Covers goods for the period of 12 months from the date of purchase subject of the below exclusions.

Terms and Conditions

The appliance -

- Has been correctly installed in accordance with current legislation, relevant British Standards and Codes of Practice by a competent person.
- Has been used solely in a domestic environment and for domestic purposes. Guarantee only applies to normal domestic use.
- Is in use in the UK/Channel Islands and has not been taken abroad as a personal export. This offer is not available in the Republic of Ireland.
- Has not been repaired by unauthorized persons, i.e. other than organizations authorised to act on behalf of Rangemaster Consumer Services.
- Offer only applied to new appliances, second hand appliances or reconditioned products are excluded.
- Has not been subject to misuse, accidental damage or modification.
- This guarantee is not transferable.
- The guarantee covers any mechanical breakdown and cosmetic deterioration associated with a manufacturing defect.
- Proof and date of purchase will need to be established to receive a service visit.

Exceptions: Items that are not included under the guarantee include light bulb and other consumable accessories. Any damage caused other than through normal use. Cosmetic deterioration deemed to be normal wear and tear.

Costs will be incurred if a service call is arranged and no fault is found.

This warranty is in addition to your Statutory Rights.

Information Menu:

The following features are available on the Information Menu.

- Current Temperature
- Maximum Stored Temperature
- Minimum Stored Temperature
- Total Operating Time Of The Condenser
- Keypad Lockout

To access the Information Menu Press "SET" button momentarily and release.

Once in the information menu, the WARMER and COLDER keys may be used to scroll through the information menu. Additionally, pressing and releasing the SET key will advance the information menu. The information menu will automatically exit after several seconds with no key presses.



Current Interior Temperature (tl): Press and hold the "SET" key to display the current interior temperature.



Maximum Stored Temperature (thi): Maximum stored temperature is the maximum temperature refrigerator has achieved since temperature set point was entered. Press and hold the "SET" key to display the maximum temperature stored. The data can be cleared by pressing "SET" and "ON/OFF" simultaneously while the value is displayed. NOTE: It is normal for refrigerator temperature to fluctuate from set point by several degrees.



Minimum Stored Temperature (tLO): Minimum stored temperature is the minimum temperature refrigerator has achieved since temperature set point was entered. Press and hold the "SET" key to display the minimum temperature stored. The data can be cleared by pressing "SET" and "ON/OFF" simultaneously while the value is displayed.


NOTE


It is normal for refrigerator temperature to fluctuate from set point by several degrees.



Total Operating Time of the Condenser Since the Last Cleaning (cnd): Press and hold the "SET" key to display the total operating hours of the compressor since the last cleaning. The control stores the total operating hours of the compressor to determine the volume of air that has moved across the condenser coils. This number is displayed in weeks. A reminder is displayed when a cleaning is recommended (see Alarm Codes). The recommended cleaning period is the equivalent of one year of air volume. The data can be cleared by pressing the "SET" and "ON/OFF" keys simultaneously while the value is displayed.



Keypad Lockout Feature (Loc): This feature is useful for prohibiting changes in the temperature set point or accidentally turning the unit off. Press and hold the "SET" key to display the current "Loc" setting. If "No"  is displayed, Lock

out is OFF and all keys are enabled. If "Yes"  is displayed, Lockout is ON and the "ON/OFF", "WARMER", and "COLDER" keys are disabled. However, the key tones remain enabled. While holding the "SET" key, press the "WARMER" or "COLDER" key to select the desired state. Release the "SET" key to confirm the selection.

NOTE

The Information/Lockout Key "SET" remains enabled regardless of the "Loc" setting.

AGA RANGEmaster

Clarence Street, Royal Leamington Spa,
Warwickshire, CV31 2AD, England.

Tel: +44 (0) 1926 457400 Fax: +44 (0) 1926 450526

E-mail: consumers@rangemaster.co.uk

www.rangemaster.co.uk

41011817 Rev D
6/3/13



All specifications and product designs subject to change without notice. Such revisions do not entitle the buyer to corresponding changes, improvements, additions, replacements or compensation for previously purchased products.